

IN CASE OF E652XXXXXX1X000 WITHOUT LED

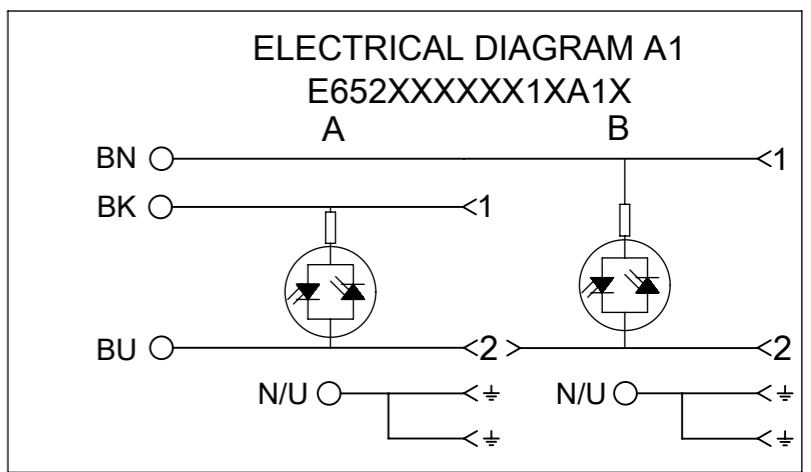
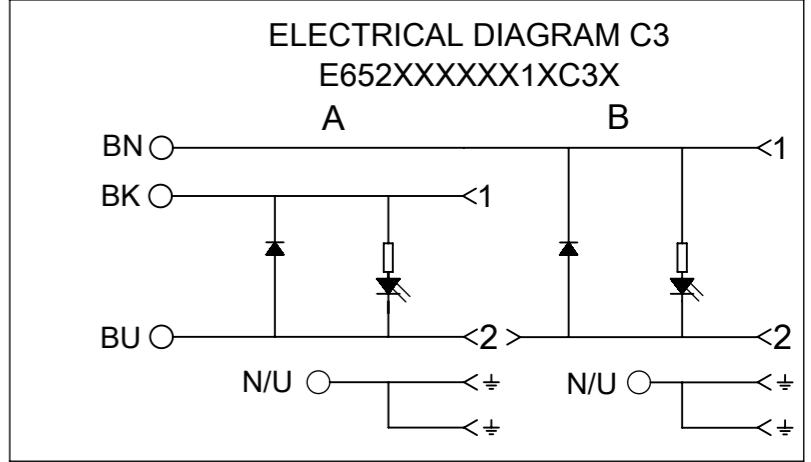
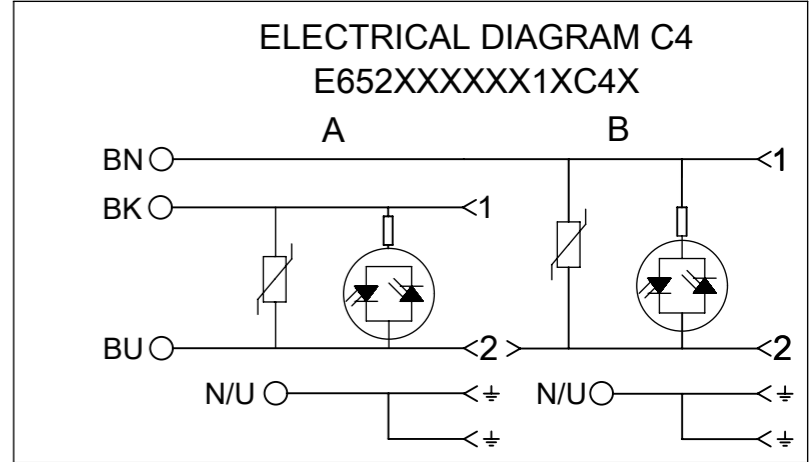
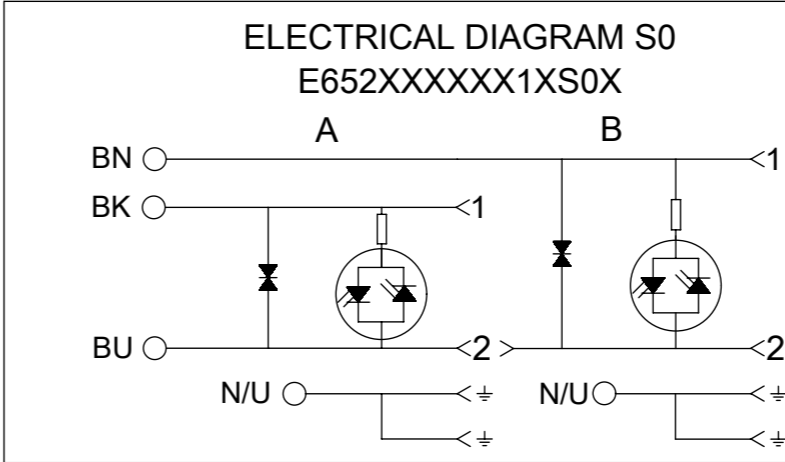
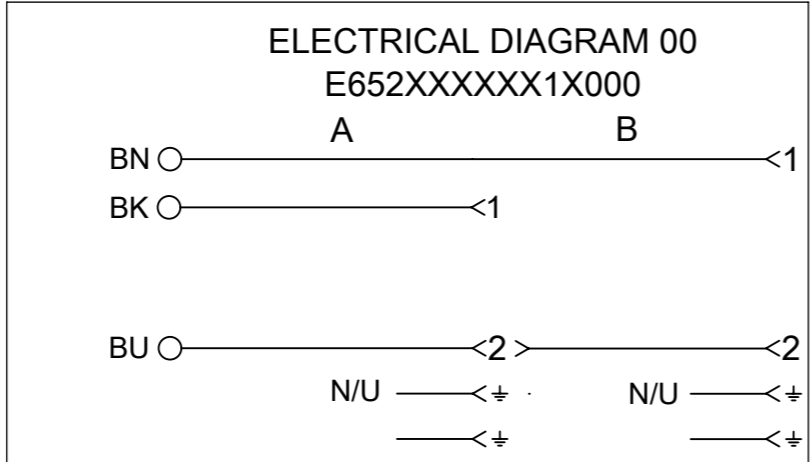
DIAGRAM TAMPOPRINT WHITE (NOT FOR E652XXXXXX1X000)

NOTES:  
1. GROUND IS NOT CONNECTED

TABLE OF LENGHT TOLERANCES		
OVER	UP TO AND INCLUDING	TOLERANCE
0	500	-10/+20
500	1000	±20
1000	3000	±30
3000	5000	±40
5000	10000	±50
10000	15000	±100
15000	20000	±150
20000		±L/100

BILL OF MATERIALS

ITEM	QTY.	DESCRIPTION	MATERIAL	FINISH
12	0/2	INTEGRATED GASKET	NBR	-
11	0/2	WASHER	NBR	-
10	0/2	SCREW M3x27	STEEL	ZINC
9	0/2	FLAT GASKET	NBR/SILICONE	-
8	0/2	PROFILE GASKET	NBR/SILICONE	-
7	0/2	SCREW M3x25	STEEL	ZINC
6	2	LABEL WHITE	ABS	-
5	0/2	PCB	-	-
4	2	INSERT DIN A	PA66+25%G V0	-
3	8	CONTACT DIN	BRASS	SILVER
2	-	MOULDING MATERIAL	PP	-
1	-	CABLE (SEE SHEET 3)	-	-



NOTES :

ELECTRICAL - CURRENT : MAX. 5.0A  
 CONTACT RESISTANCE : ≤15 milliohms MAX.  
 INSULATION RESISTANCE : 100 Megaohms MIN.  
 PHYSICAL - OPERATING TEMPERATURE WITH :  
 NITRILE RUBBER (NBR) GASKET : -40°C TO +90°C  
 LIVE CONTACT DISTANCE :  
 FORM A - 18.00mm  
 ENVIRONMENTAL - IP65 SEALING PROTECTION(FIXING SCREW)

FUNCTIONAL SYMBOLS	THIS DRAWING CONTAINS INFORMATION THAT IS PROPRIETARY TO MOLEX ELECTRONIC TECHNOLOGIES, LLC AND SHOULD NOT BE USED WITHOUT WRITTEN PERMISSION	CURRENT REV DESC: TOL. TABLE UPDATED	
△/A = 0	mm	SCALE	1:1
△/E = 0	GENERAL TOLERANCES (UNLESS SPECIFIED)		
△/V = 0	ANGULAR TOL ± 1.0°		
DIVISIONAL SYMBOLS	4 PLACES ±	3 PLACES ±	2 PLACES ± 0.05
	1 PLACE ± 0.3	0 PLACES ± 0.5	
DRAFT WHERE APPLICABLE MUST REMAIN WITHIN DIMENSIONS	THIRD ANGLE PROJECTION	DRAWING	SERIES
		A3-SIZE	121055
EC NO: 642619		2020/07/20	
DRWN: SSM		2020/09/04	
CHK'D: RSILLER		2020/09/04	
APPR: RSILLER		2020/09/04	
INITIAL REVISION:		DOCUMENT NUMBER	
DRWN: APAWLAK01		1210550123	
APPR: MIWASIECZKO		PSD 000 A1	
MATERIAL NUMBER		CUSTOMER	
SEE SHEET 3		GENERAL MARKET	
SHEET NUMBER		1 OF 3	

ENGINEERING NO. - NUMERICAL CODE (Available parts see PART LIST table. Others on request).

**E652 XX XXXX 1 XXXX**

E - Packing without bags  
W - Single packing  
Q - Quick packing

Cable type:  
See Table 1

Cable Cross Section Area:  
See Table 1

Head Color:  
G=Grey  
N=Black  
T=Transparent  
A=CSA-UL Black  
B=CSA-UL Grey

Cable Length in Meters (L):  
A=1  
B=1.5  
C=2  
D=2.5  
E=3  
F=3.5  
G=4  
H=4.5  
L=5  
M=5.5  
N=6  
P=6.5  
Q=7  
R=7.5  
S=8  
T=8.5  
U=9  
K=10

Cable Length in cm Between 2 Mouldings (L1)  
Eg.: 15=15 cm  
30=30 cm  
1K=100 cm  
min length=13 cm

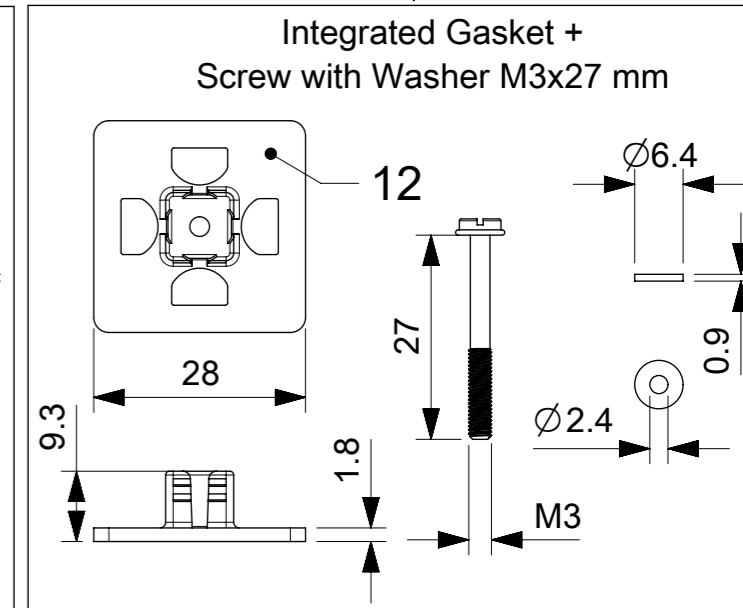
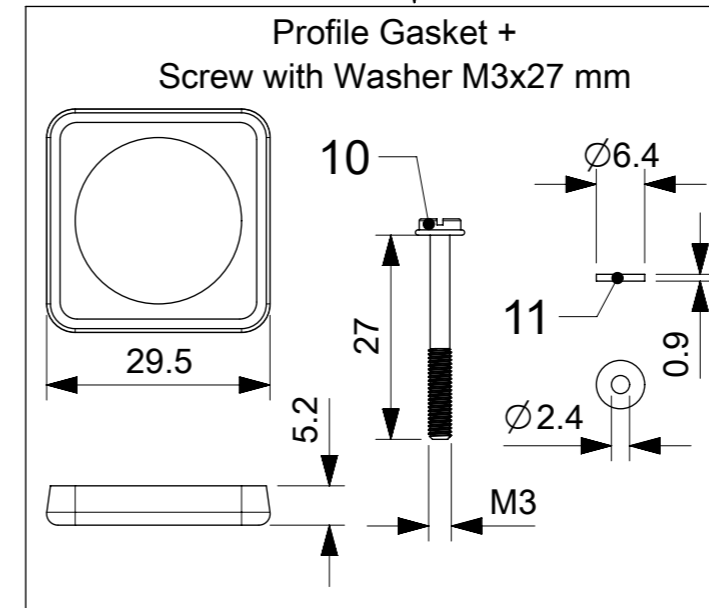
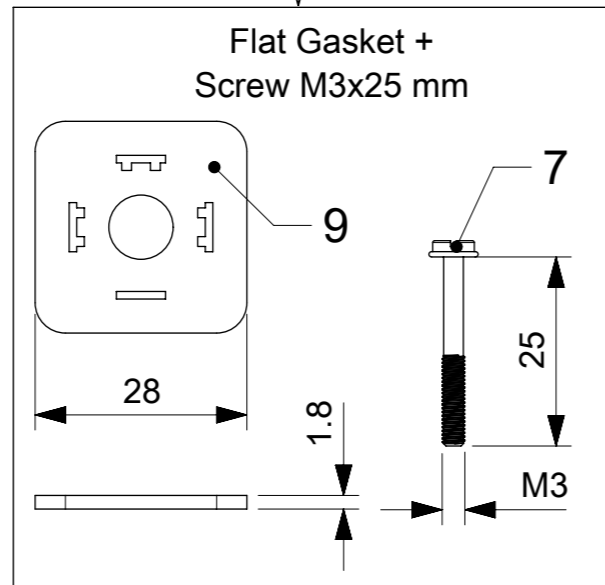
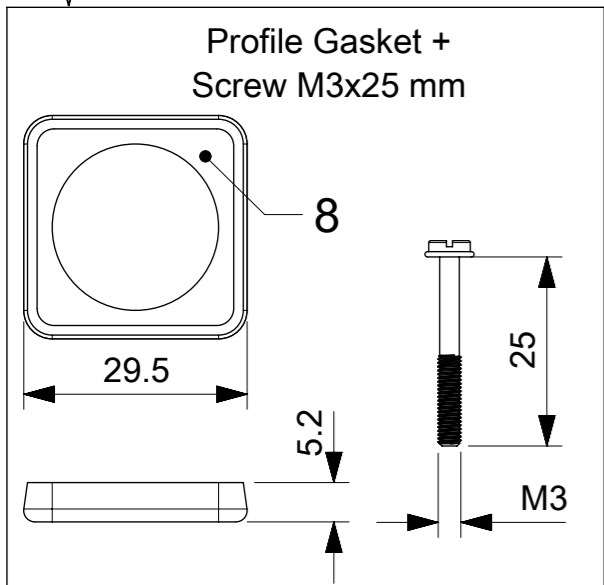
Earth PIN Location:  
1=Double Earth on 6H and 12H

Internal Circuit Wiring Configuration  
Eg.: C4, 00, S0  
See Sheet 1

Voltage and LED Color:

1= 12V 2= 24V 3= 48V 4= 115V 5= 230V	RED LED
A= 12V B= 24V C= 48V D= 115V E= 230V	GREEN LED
G= 12V H= 24V K= 48V L= 115V M= 230V	YELLOW LED

Type of Gasket and Screw:  
1=NBR Profile Gasket + Fixing Screw (M3x25 mm)  
2=NBR Flat Gasket + Fixing Screw (M3x25 mm)  
3=Silicone Profile Gasket + Fixing Screw (M3x25 mm)  
4=Silicone Flat Gasket + Fixing Screw (M3x25 mm)  
P=Integrated Gasket Assembled + Fixing Screw with Washer Assembled (M3x27 mm)  
R=Integrated Gasket + Fixing Screw + Washer (M3x27 mm)  
T=Profile Gasket + Fixing Screw + Washer (M3x27 mm)



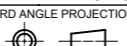
FUNCTIONAL SYMBOLS	THIS DRAWING CONTAINS INFORMATION THAT IS PROPRIETARY TO MOLEX ELECTRONIC TECHNOLOGIES, LLC AND SHOULD NOT BE USED WITHOUT WRITTEN PERMISSION	
△/A = 0	mm	SCALE 1:1
△/E = 0	GENERAL TOLERANCES (UNLESS SPECIFIED)	
△/F = 0	ANGULAR TOL ± 1.0°	
DIVISIONAL SYMBOLS	4 PLACES ±	
	3 PLACES ±	
	2 PLACES ± 0.05	
	1 PLACE ± 0.3	
	0 PLACES ± 0.5	
DRAFT WHERE APPLICABLE MUST REMAIN WITHIN DIMENSIONS	THIRD ANGLE PROJECTION	DRAWING A3-SIZE
	SERIES 121055	MATERIAL NUMBER SEE SHEET 3
	CUSTOMER GENERAL MARKET	SHEET NUMBER 2 OF 3

TABLE 1 - CABLES

Molex PN	mPm	Code	Wires	Cross Section	Material	Colour	Diameter $\varnothing$
1210180080	I	0	3	1 mm <sup>2</sup>	PVC CEI 2022 II O.R.	Grey RAL7035	6.4±0.2 mm
1210180467	A	2	2	20 AWG	PVC CSA/UL 2661	Black	5.4±0.2 mm
1210180128	A	2	3	20 AWG	PVC CSA/UL 2661	Black	5.6±0.2 mm
1210180394	A	2	4	20 AWG	PVC CSA/UL 2661	Black	6.2±0.25 mm
-	A	2	5	20 AWG	PVC CSA/UL 2661	Black	7±0.2 mm
1210180297	B	2	2	20 AWG	PUR CSA/UL 20668	Black	5.6±0.2 mm
1210180126	B	2	3	20 AWG	PUR CSA/UL 20668	Black	5.6±0.2 mm
1210180387	B	2	4	20 AWG	PUR CSA/UL 20668	Black	6.2±0.2 mm
-	B	2	5	20 AWG	PUR CSA/UL 20668	Black	7±0.2 mm
1210180122	D	2	3	0.5 mm <sup>2</sup>	PVC TI2 CEI 20-20	Grey	5.5±0.2 mm
-	F	2	3	0.5 mm <sup>2</sup>	CNEOMO	Grey RAL7000	5.5±0.2 mm
1210180047	I	2	2	0.5 mm <sup>2</sup>	PVC CEI 2022 II O.R.	Grey RAL7035	5.5+0.3/-0 mm
1210180284	I	2	3	0.5 mm <sup>2</sup>	PVC CEI 2022 II O.R.	Grey RAL7035	5.5+0.3/-0 mm
1210180146	I	2	4	0.5 mm <sup>2</sup>	PVC CEI 2022 II O.R.	Grey RAL7035	6.5±0.2 mm
1210180177	I	2	5	0.5 mm <sup>2</sup>	PVC CEI 2022 II O.R.	Grey RAL7035	7±0.2 mm
1210180022	N	2	2	0.5 mm <sup>2</sup>	PVCH03	Black	5.2±0.2 mm
1202092753	N	2	3	0.5 mm <sup>2</sup>	PVCH03	Black	5.5±0.2 mm
1210180153	N	2	4	0.5 mm <sup>2</sup>	PVCH03	Black	6.9 mm max
1210180046	P	2	2	0.5 mm <sup>2</sup>	PUR-BLEND	Black	5.5±0.2 mm
1202092439	P	2	3	0.5 mm <sup>2</sup>	PUR-BLEND	Black	5.5+0.3/-0 mm
1210180302	P	2	4	0.5 mm <sup>2</sup>	PUR-BLEND	Black	6.5±0.2 mm
1202092215	P	2	5	0.5 mm <sup>2</sup>	PUR-BLEND	Black	7+0.3/-0.1 mm
1210180409	A	3	2	18 AWG	PVC CSA/UL 2661	Black	6.5±0.25 mm
1210180129	A	3	3	18 AWG	PVC CSA/UL 2661	Black	6.5±0.25 mm
1210180159	A	3	4	18 AWG	PVC CSA/UL 2661	Black	7±0.3 mm
1210180464	A	3	5	18 AWG	PVC CSA/UL 2661	Black	7.8±0.25 mm
1210180351	B	3	2	18 AWG	PUR CSA/UL 20668	Black	6.8±0.2 mm
1210180127	B	3	3	18 AWG	PUR CSA/UL 20668	Black	6.5±0.2 mm
1210180160	B	3	4	18 AWG	PUR CSA/UL 20668	Black	7±0.2 mm
1210180463	B	3	5	18 AWG	PUR CSA/UL 20668	Black	7.8±0.2 mm
1210180073	D	3	3	0.75 mm <sup>2</sup>	PVC TI2 CEI 20-20	Grey	6.5±0.2 mm
1210180145	D	3	4	0.75 mm <sup>2</sup>	PVC TI2 CEI 20-20	Grey	7.1±0.2 mm
1202098206	I	3	2	0.75 mm <sup>2</sup>	PVC CEI 2022 II O.R.	Grey RAL7001	5.5±0.2 mm
1210180120	I	3	3	0.75 mm <sup>2</sup>	PVC CEI 2022 II O.R.	Grey RAL7035	6±0.2 mm
1210180143	I	3	4	0.75 mm <sup>2</sup>	PVC CEI 2022 II O.R.	Grey RAL7035	7±0.2 mm
1210180032	N	3	2	0.75 mm <sup>2</sup>	PVCH05	Black	6.2±0.2 mm
1210180069	N	3	3	0.75 mm <sup>2</sup>	PVCH05	Black	6.5±0.2 mm
1210180144	N	3	4	0.75 mm <sup>2</sup>	PVCH05	Black	7.1±0.2 mm
1210180174	N	3	5	0.75 mm <sup>2</sup>	PVCH05	Black	8.0+0.2/-0 mm
1202094190	P	3	2	0.75 mm <sup>2</sup>	PUR-BLEND	Black	6.5±0.2 mm
1210180071	P	3	3	0.75 mm <sup>2</sup>	PUR-BLEND	Black	6.5±0.2 mm
1210180152	P	3	4	0.75 mm <sup>2</sup>	PUR-BLEND	Black	7±0.2 mm
1210180384	R	3	3	0.75 mm <sup>2</sup>	TPR HAL. FREE	Black	6.5±0.2 mm
1210180094	T	3	3	0.75 mm <sup>2</sup>	PUR CSA/UL	Yellow	6.5±0.2 mm
1210180309	Y	3	3	0.75 mm <sup>2</sup>	SIL/0300	Red	6.5±0.2 mm
1210180081	F	4	3	1 mm <sup>2</sup>	CNEOMO	Grey RAL7000	7.1+0.2/-0 mm
-	F	4	4	1 mm <sup>2</sup>	CNEOMO	Grey RAL7000	7.1+0.2/-0 mm
1210180042	I	4	2	1 mm <sup>2</sup>	PVC CEI 2022 II O.R.	Grey RAL7035	7.1+0.2/-0 mm
1210180079	I	4	3	1 mm <sup>2</sup>	PVC CEI 2022 II O.R.	Grey RAL7035	7.1+0.2/-0 mm
1210180036	N	4	2	1 mm <sup>2</sup>	PVCH05	Black	6.5±0.2 mm
1210180082	N	4	3	1 mm <sup>2</sup>	PVCH05	Black	6.9±0.2 mm
1210180117	R	4	3	1 mm <sup>2</sup>	TPR HAL. FREE	Black	7.1±0.2 mm
1210180085	N	5	3	1.5 mm <sup>2</sup>	PVCH05	Black	8.3+0.2/-0 mm
1210180313	I	6	2	0.35 mm <sup>2</sup>	PVC CEI 2022 II O.R.	Grey RAL7035	4.8±0.2 mm
-	A	7	3	20 AWG	PVC CSA/UL 2661	Yellow	5.6±0.2 mm
1210180149	I	9	4	0.75 mm <sup>2</sup>	PVC CEI 2022 II O.R.	Grey RAL7035	7.3±0.2 mm

TABLE 2 - PART LIST

MOLEX PN	ENGINEERING PN
1210550123	E652N3NC3011C3B
1210550139	E652N2NL1511S02
1210550160	E652N2NL151PS02
1210550206	E652N3NE1611C42
1210550207	E652N3NE1611C41
1210550254	E652P2NP1321C4H
1210550276	E652N2NL1611C4H
1210550278	E652N3NB3511000
1210550279	E652N3NL1611C4H
1210550281	E652P3NA1311A11
1210550297	E652N3NC1611000
1210550304	E652N2NE201PS02
1210550316	E652N2NE251PS02
1210550335	E652P3NA131PS0G
1210550336	E652P3NA151PS0G
1210550348	E652N2NE151PS02

FUNCTIONAL SYMBOLS	THIS DRAWING CONTAINS INFORMATION THAT IS PROPRIETARY TO MOLEX ELECTRONIC TECHNOLOGIES, LLC AND SHOULD NOT BE USED WITHOUT WRITTEN PERMISSION		CURRENT REV DESC: TOL. TABLE UPDATED	
	$\nabla/A = 0$ $\nabla/E = 0$ $\nabla/P = 0$	DIMENSION UNITS: <b>mm</b> SCALE: <b>1:1</b> GENERAL TOLERANCES (UNLESS SPECIFIED) ANGULAR TOL $\pm 1.0^\circ$ 4 PLACES $\pm$ 3 PLACES $\pm$ 2 PLACES $\pm 0.05$ 1 PLACE $\pm 0.3$ 0 PLACES $\pm 0.5$	EC NO: 642619 DRWN: SSM CHK'D: RSILLER APPR: RSILLER INITIAL REVISION: DRWN: APAWLAK01 APPR: MIWASIECZKO	2020/07/20 2020/09/04 2020/09/04 2017/07/03 2017/07/05
DIVISIONAL SYMBOLS	DRAFT WHERE APPLICABLE MUST REMAIN WITHIN DIMENSIONS 	THIRD ANGLE PROJECTION DRAWING SERIES: <b>A3-SIZE</b>	MATERIAL NUMBER: <b>121055</b> CUSTOMER: <b>SEE PART LIST</b>	DOCUMENT NUMBER: <b>1210550123</b> DOC TYPE: <b>PSD</b> DOC PART: <b>000</b> REVISION: <b>A1</b> SHEET NUMBER: <b>3 OF 3</b>