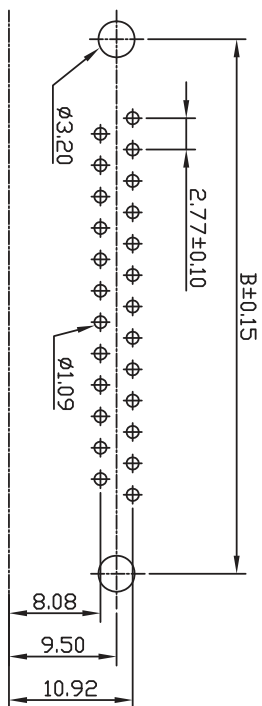
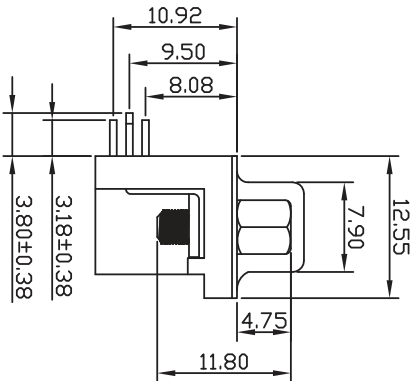


**SPECIFICATIONS**

**MATERIALS:**

1. INSULATOR: NY 6T
  2. CONTACT: BRASS
  3. CONTACT PLATED: GOLD FLASH OVER TIN OR GOLD PLATED OR TIN PLATED
  4. SHELL: STEEL, NICKEL PLATED
- SPECIFICATION:**
1. CURRENT RATING: 5 AMPS
  2. INSULATION RESISTANCE: 5000MΩ MIN. AT 500V DC
  3. DIELECTRIC STRENGTH: 500V FOR ONE MINUTE
  4. OPERATION TEMPERATURE: -55°C~+105°C



P.C.B. PLYOUT

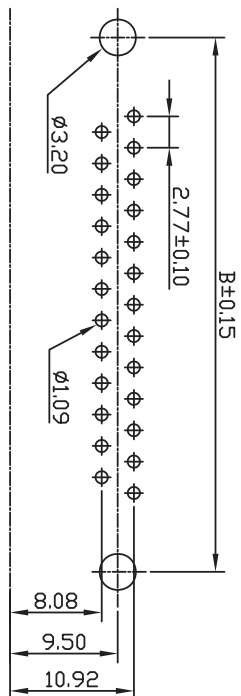
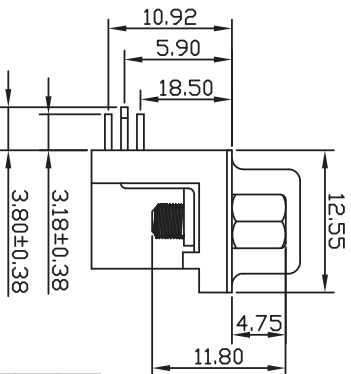
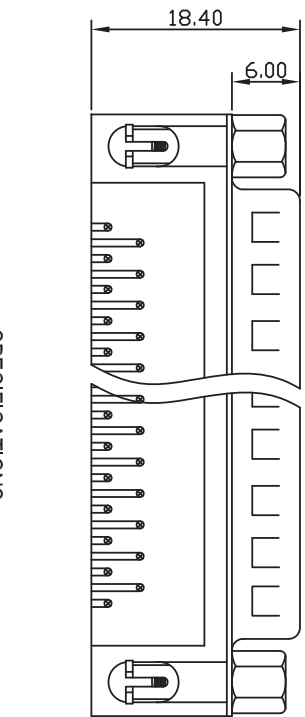
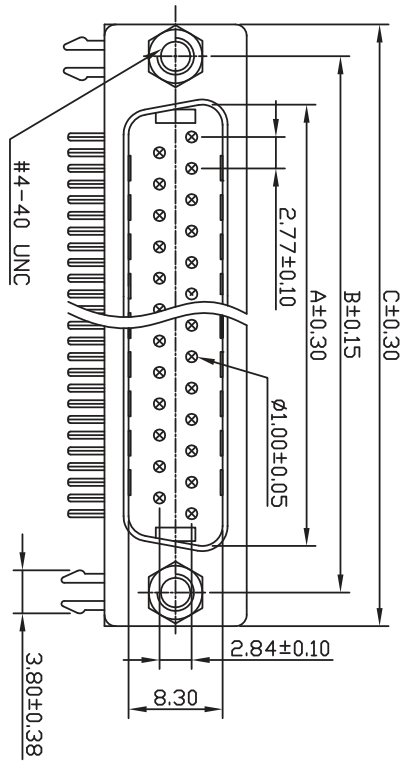
PIN	A	B	C
9	16.30	24.99	30.80
15	24.60	33.30	39.20
25	38.30	47.04	53.10
37	54.80	63.50	69.34

NOTE: ALL DIMS ARE IN mm

08-176	05/09/08	B	CHANGED THE DRAWING TO NEW PRINT	Vincent	JY	ANG. .X°±1.0°	THIS DOCUMENT IS OWNED BY, AND THE INFORMATION CONTAINED IN IT IS PROPRIETARY TO, RDI. BY RECEIPT HEREOF THE HOLDER AGREES NOT TO USE THE INFORMATION AND NOT TO DISCLOSE IT TO ANY THIRD PARTY, NOR REPRODUCE THIS DOCUMENT WITHOUT THE WRITTEN CONSENT OF RDI, AND AGREES TO RETURN THIS DOCUMENT UPON REQUEST.
07-290	06/05/07	A	ADDED THE PAGE 3	Chris	JY	.XX°±0.5°	
ECN#	DATE	SYM	REVISION RECORD	AUTH	BY		

PROJECTION	SCALE	TITLE	DR.	DATE	REF.	P/N	DRGN SERIES	MCF-NL	SHEET
1st Angle	N/A	R/A D-Sub F w/ Nylon 6T-Rohs Compliant	Jin	03/23/07		3139			1 OF 3
DEC. DIMENSIONS			CK	PRE-	DS				REV. B

**RD1** Research Develop Innovate  
 RDI, Inc. 400 Columbus Avenue Valhalla, NY 10595



P.C.B. PLYOUT

**SPECIFICATIONS**

**MATERIALS:**

- 1. INSULATOR: NY 6T
- 2. CONTACT: BRASS
- 3. CONTACT PLATED: GOLD FLASH OVER TIN OR GOLD PLATED OR TIN PLATED
- 4. SHELL: STEEL, NICKEL PLATED

**SPECIFICATION:**


- 1. CURRENT RATING: 5 AMPS
- 2. INSULATION RESISTANCE: 1000MΩ MIN. AT 500V DC
- 3. DIELECTRIC STRENGTH: 500V FOR ONE MINUTE
- 4. OPERATION TEMPERATURE: -55°~+105°

PIN	A	B	C
9	16.90	24.99	30.80
15	25.25	33.30	39.20
25	38.96	47.04	53.10
37	55.42	63.50	69.34

08-176 05/09/08 B CHANGED THE DRAWING TO NEW PRINT

07-290 06/05/07 A ADDED THE PAGE 3



ECN# DATE SYM REVISION RECORD

PROJECTION	N/A	
SCALE	N/A	
TOLERANCE	EXCEPT AS NOTED	
DEC. DIMENSIONS	X.X: ±0.25	X.XX: ±0.20
ANG.	X.XXX: ±0.05	.XX: ±0.5°
DR.	Jin	DATE 03/23/07
REF.	P/N DRGN SERIES MCF-NL	DATE 03/23/07
PRE-	DS	REV. 2 OF 3
DRAWING NO.	3139	SIZE F
 <b>Research Develop Innovate</b>		
RDI, Inc. 400 Columbus Avenue Valhalla, NY 10595		
THIS DOCUMENT IS OWNED BY AND THE INFORMATION CONTAINED IN IT IS PROPRIETARY TO RDI. BY RECEIPT HEREOF THE HOLDER AGREES NOT TO USE THE INFORMATION AND NOT TO DISCLOSE IT TO ANY THIRD PARTY, NOR REPRODUCE THIS DOCUMENT WITHOUT THE WRITTEN CONSENT OF RDI, AND AGREES TO RETURN THIS DOCUMENT UPON REQUEST.		

DR6N - X XX X - NJ - X - X - X - NL  
 1 2 3 4 5 6 7 8 9

1. DR6N=DR SERIES WITH NYLON 6T PLASTIC INSULATOR(HIGH TEMPERATURE)
2. SHELL SIZE: E=9 A=15 B=25 C=37
3. NUMBER OF CONTACTS: 9,15,25,37
4. TYPE OF CONTACT: P=PIN CONTACT(PLUG) S=SOCKET CONTACT(RECEPTACLE)
5. NJ=MOUNTING OPTIONS W/GROUNDING BRACKETS(LOCKING TYPE) AND 4-40 RIVETED THREADED INSERTS WITH THE JACKSCREWS ASSEMBLED TO THE CONNECTOR
6. CONTACT FINISH: 0=GOLD FLASH,1=SELECTIVE GOLD FLASH 2=5u" 3=10u" 4=15u" 5=20u" 6=30u"
7. INSULATOR COLOR: 0=BLACK,1=WHITE,2=BLUE,3=GREY,4=ORANGE,5=GREEN
8. SHELL PLATING: Cu 60u"/Ni 100-120u"
9. RoHS COMPLIANT

08-176	05/09/08	B	CHANGED THE DRAWING TO NEW PRINT
07-290	06/05/07	A	ADDED THE PAGE 3
ECN#	DATE	SYM	REVISION RECDRD

			
PROJECTION SCALE N/A TOLERANCE N/A EXCEPT AS NOTED DEC. DIMENSIONS X.X: ±0.25 X.XX: ±0.20 X.XXX: ±0.05 ANG. X°±1.0° .XX±0.5°		TITLE R/A D-Sub M w/ Nylon 6T-RoHS COMPLIANT DR. Jln DATE 03/23/07 REF. P/N DR6N SERIES MCF-NL SHEET 3 OF 3 CK. GM PRE-DS DRAWING NO. 3139 SIZE REV. B THIS DOCUMENT IS OWNED BY, AND THE INFORMATION CONTAINED IN IT IS PROPRIETARY TO, RDI. BY RECEIPT HEREOF THE HOLDER AGREES NOT TO USE THE INFORMATION AND NOT TO DISCLOSE IT TO ANY THIRD PARTY, NOR REPRODUCE THIS DOCUMENT WITHOUT THE WRITTEN CONSENT OF RDI, AND AGREES TO RETURN THIS DOCUMENT UPON REQUEST.	
Vincent JY Chris JY AUTH BY		Research Develop Innovate RDI, Inc. 400 Columbus Avenue Valhalla, NY 10595	