

5-177905-1 ✓ ACTIVE



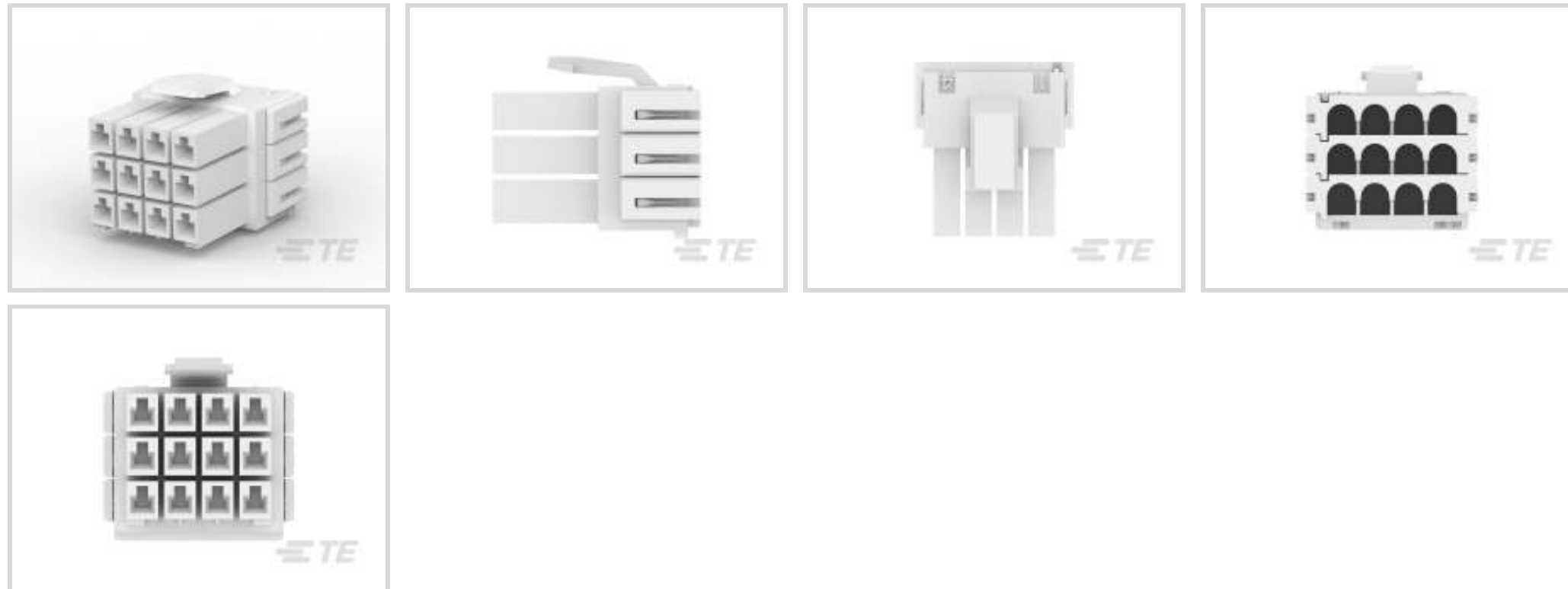
## Power Double Lock

TE Internal #: 5-177905-1

Rectangular Power Connectors, Housing, Plug, Wire-to-Wire, 12 Position, 3.96 mm [.156 in] Centerline, Wire & Cable, UL 94V-0, Power Double Lock

[View on TE.com >](#)

Connectors > Power Connectors > Rectangular Power > Rectangular Power Connectors > Glow Wire Power Double Lock Plug



Rectangular Power Connector Type: **Housing**

Connector & Housing Type: **Plug**

Connector System: **Wire-to-Wire**

Number of Positions: **12**

Centerline (Pitch): **3.96 mm [.156 in]**

[All Glow Wire Power Double Lock Plug \(55\)](#)

## Features

### Product Type Features

Rectangular Power Connector Type	Housing
Connector & Housing Type	Plug
Connector System	Wire-to-Wire
Sealable	No
Connector & Contact Terminates To	Wire & Cable

### Configuration Features

Number of Positions	12
Number of Power Positions	12
Number of Signal Positions	0
Number of Rows	3

### Electrical Characteristics

Operating Voltage	300 VAC
-------------------	---------



### Contact Features

Contact Retention Within Housing	Without
Contact Type	Receptacle

### Termination Features

Termination Method to Wire & Cable	Crimp
------------------------------------	-------

### Mechanical Attachment

Connector Mounting Type	Cable Mount (Free-Hanging)
-------------------------	----------------------------

### Housing Features

Centerline (Pitch)	3.96 mm [.156 in]
Housing Color	Natural
Housing Material	Nylon 6/6

### Dimensions

Row-to-Row Spacing	4.6 mm [.181 in]
--------------------	------------------

### Usage Conditions

Operating Temperature Range	-30 – 105 °C [-22 – 221 °F]
-----------------------------	-----------------------------

### Operation/Application

Circuit Application	Power
---------------------	-------

### Industry Standards

UL Flammability Rating	UL 94V-0
Glow Wire Rating	GWT 750°C (Without Flame)

### Packaging Features

Packaging Quantity	120
Packaging Method	Bag

### Product Compliance

[For compliance documentation, visit the product page on TE.com>](#)

EU RoHS Directive 2011/65/EU	Compliant
EU ELV Directive 2000/53/EC	Compliant
China RoHS 2 Directive MIIT Order No 32, 2016	No Restricted Materials Above Threshold
EU REACH Regulation (EC) No. 1907/2006	Current ECHA Candidate List: JUNE 2023 (235) Candidate List Declared Against: JUNE 2023 (235)



Does not contain REACH SVHC

Halogen Content

Not Low Halogen - contains Br or Cl > 900 ppm.

Solder Process Capability

Not reviewed for solder process capability

Product Compliance Disclaimer

This information is provided based on reasonable inquiry of our suppliers and represents our current actual knowledge based on the information they provided. This information is subject to change. The part numbers that TE has identified as EU RoHS compliant have a maximum concentration of 0.1% by weight in homogenous materials for lead, hexavalent chromium, mercury, PBB, PBDE, DBP, BBP, DEHP, DIBP, and 0.01% for cadmium, or qualify for an exemption to these limits as defined in the Annexes of Directive 2011/65/EU (RoHS2). Finished electrical and electronic equipment products will be CE marked as required by Directive 2011/65/EU. Components may not be CE marked. Additionally, the part numbers that TE has identified as EU ELV compliant have a maximum concentration of 0.1% by weight in homogenous materials for lead, hexavalent chromium, and mercury, and 0.01% for cadmium, or qualify for an exemption to these limits as defined in the Annexes of Directive 2000/53/EC (ELV). Regarding the REACH Regulation, the information TE provides on SVHC in articles for this part number is based on the latest European Chemicals Agency (ECHA) 'Guidance on requirements for substances in articles' posted at this URL: <https://echa.europa.eu/guidance-documents/guidance-on-reach>

## Compatible Parts



TE Part # CAT-P87024-C1701  
STD Temp Power Double Lock Cap



TE Part # 177920-1  
POWER DBL LOCK PLATE 3.96MM 4POS



TE Part # CAT-P87024-R2435  
Power Double Lock Receptacle



TE Part # CAT-P87024-T111  
Power Double Lock Tab



TE Part # 5-1903720-1  
PDL 3.96MM PITCH CAP HSG 12P NAT (GWT)

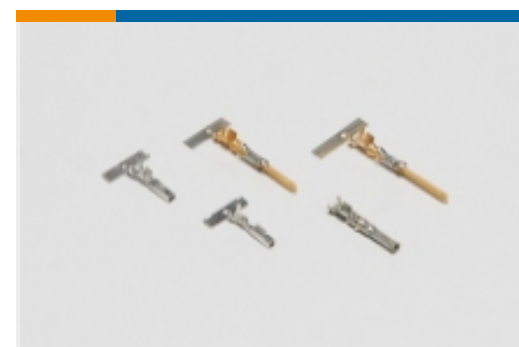
## Also in the Series | Power Double Lock



Connector Contacts(1)



Insertion & Extraction Tools(2)



Power Contacts(23)

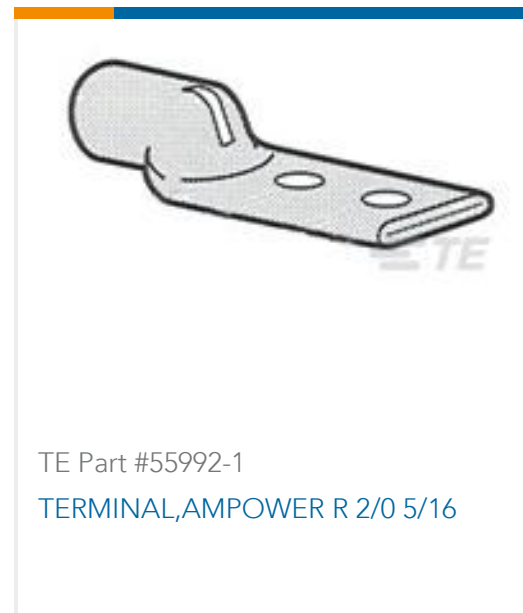


Rectangular Connector Locking(14)



Rectangular Power Connectors(284)

## Customers Also Bought

TE Part #EC9833-000  
ZHD-SCE-3.2-50-S1-4TE Part #55992-1  
TERMINAL,AMPOWER R 2/0 5/16TE Part #1-1415543-5  
RTE44110TE Part #ASA158F12390235000  
623 PLUGTE Part #ZPF000000000205378  
CONTACT MALE ANG.90, CAL20,  
120MM2 - FXPTE Part #ZPF000000000205388  
CONTACT FEMALE CAL.20, M12 - FXPTE Part #ZPF000000000205373  
PLUG MALE ANG.90 CAL.20 - FXPTE Part #YZ-KC-212751A-PY00  
TOOL DISMOUNTING - FXP2

## Documents

### Product Drawings

#### POWER DBL LOCK PLUG HSG 12P(GWT)

English

### CAD Files

#### 3D PDF

3D

#### Customer View Model

[ENG\\_CVM\\_CVM\\_5-177905-1\\_N.2d\\_dxf.zip](#)

English

#### Customer View Model

[ENG\\_CVM\\_CVM\\_5-177905-1\\_N.3d\\_igs.zip](#)

English

#### Customer View Model

[ENG\\_CVM\\_CVM\\_5-177905-1\\_N.3d\\_stp.zip](#)

English

By downloading the CAD file I accept and agree to the [Terms and Conditions](#) of use.



---

## Product Specifications

### Application Specification

English

---

## Instruction Sheets

### Instruction Sheet (non U.S.)

English

### AMP POWER DOUBLELOCK CONNECTOR SERIES

English

---

## Agency Approvals

### CSA Certificate

English