

4

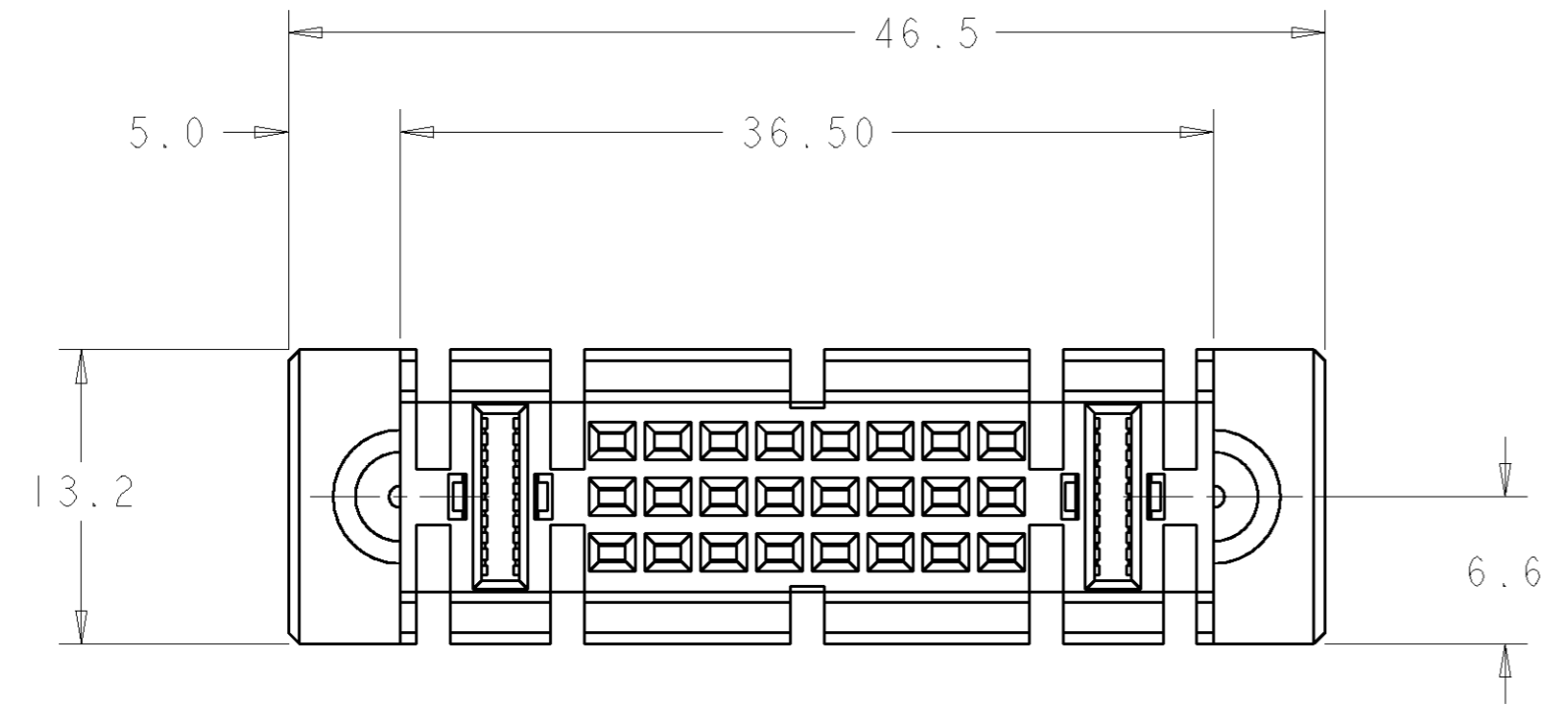
3

2

1

THIS DRAWING IS UNPUBLISHED. RELEASED FOR PUBLICATION 20  
 © COPYRIGHT 20 BY TYCO ELECTRONICS CORPORATION. ALL RIGHTS RESERVED.

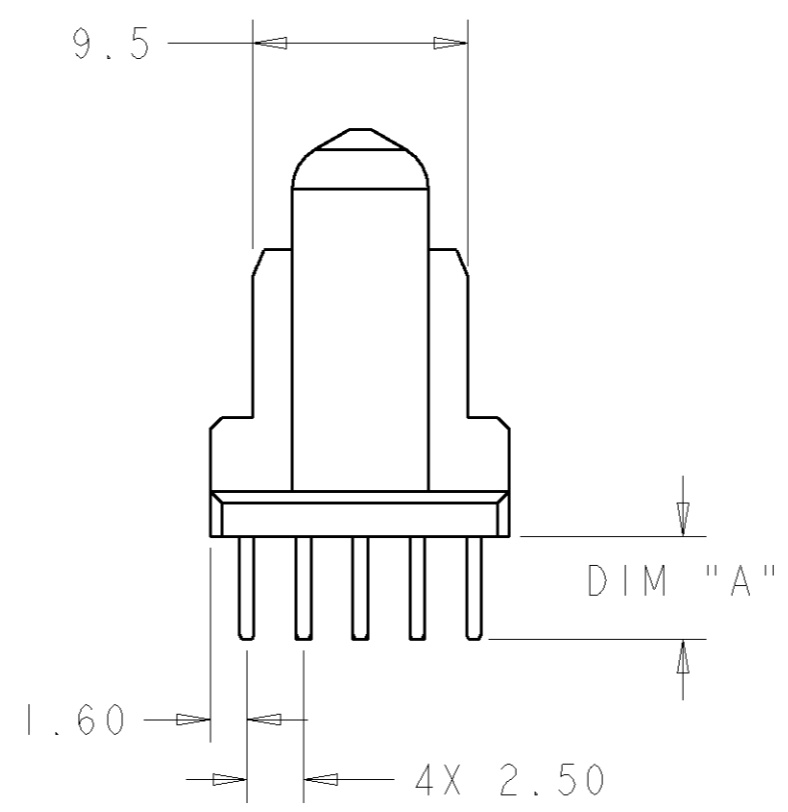
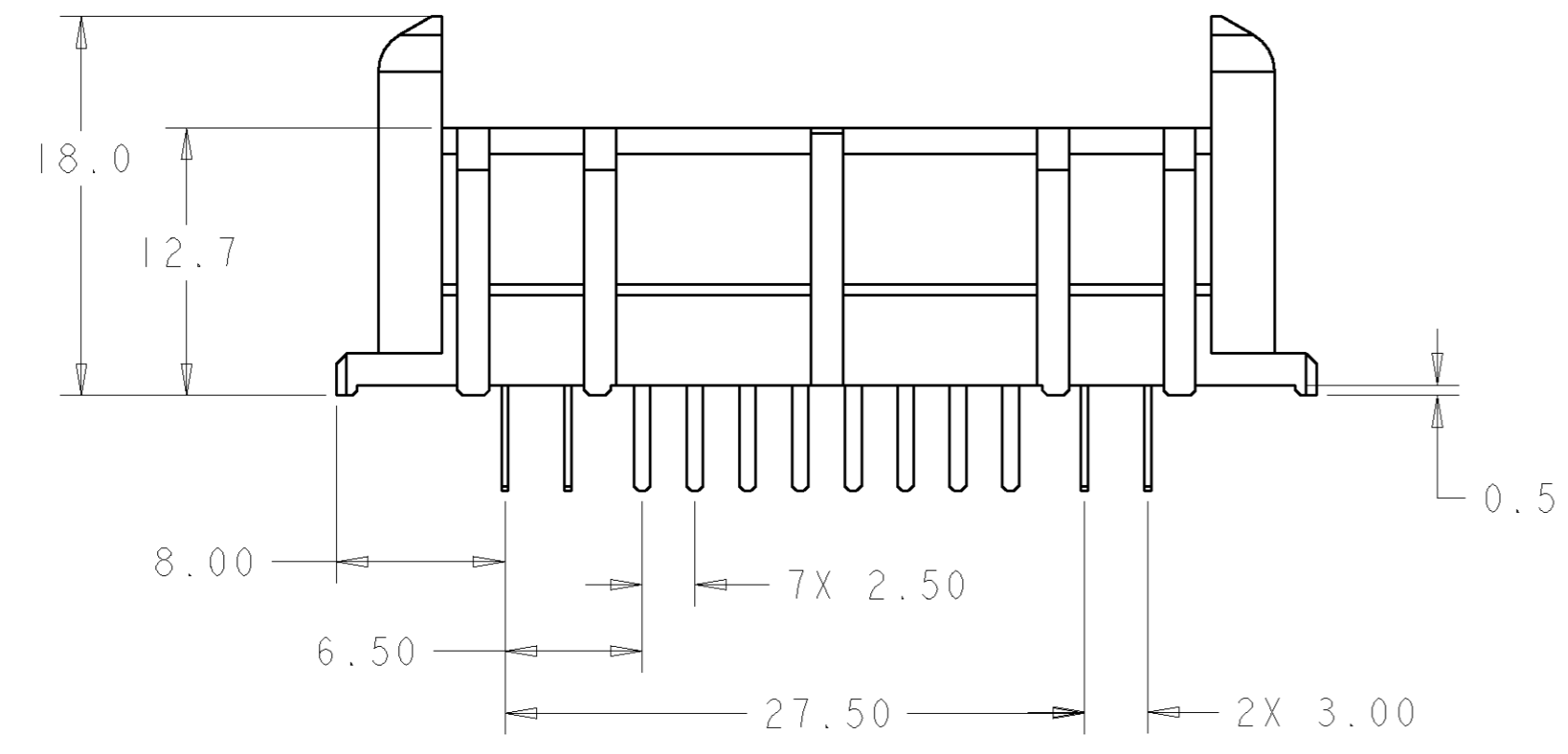
LOC	DIST	REVISIONS			
P	LTR	DESCRIPTION	DATE	DWN	APVD
GP	00	A	RELEASED	12JUN2007	RG PD



- PART NUMBER CHANGES AND OR DESIGN CHANGES AFFECTING ITEM INTERCHANGEABILITY REQUIRE PRIOR TYCO ELECTRONICS APPROVAL AND AUTHORIZATION BY REVISION TO THIS DRAWING.
- MATERIAL:  
 INSULATORS - THERMOPLASTIC, GLASS REINFORCED, COLOR: BLACK, UL94V-0 FLAMMABILITY RATED.  
 CONTACTS - COPPER ALLOY
- FINISH:  
 SOLDER CONTACTS - GOLD PLATE 0.76µm MIN. THK. OVER  
 NICKEL 1.27µm MIN. THK.  
 SOLDER TAILS-TIN 3.05µm MIN. THK. ALL OVER  
 NICKEL 1.27µm MIN. THK.  
 COMPLIANT CONTACTS-TIN 3.05µm MIN. THK. ALL OVER  
 NICKEL 1.27µm MIN. THK.  
 COMPLIANT TAILS-TIN 1.02µm MIN. THK. ALL OVER  
 NICKEL 1.27µm MIN. THK.

△ ITEMS PROVIDED TO THIS SPECIFICATION TO BE PERMANENTLY IDENTIFIED PER THE FOLLOWING IDENTIFIER LABEL

TYCO ELECTRONICS P/N: XXXXXXXX-X  
 DATE CODE (e.g. 0106): YEAR WEEK  
 XXXX



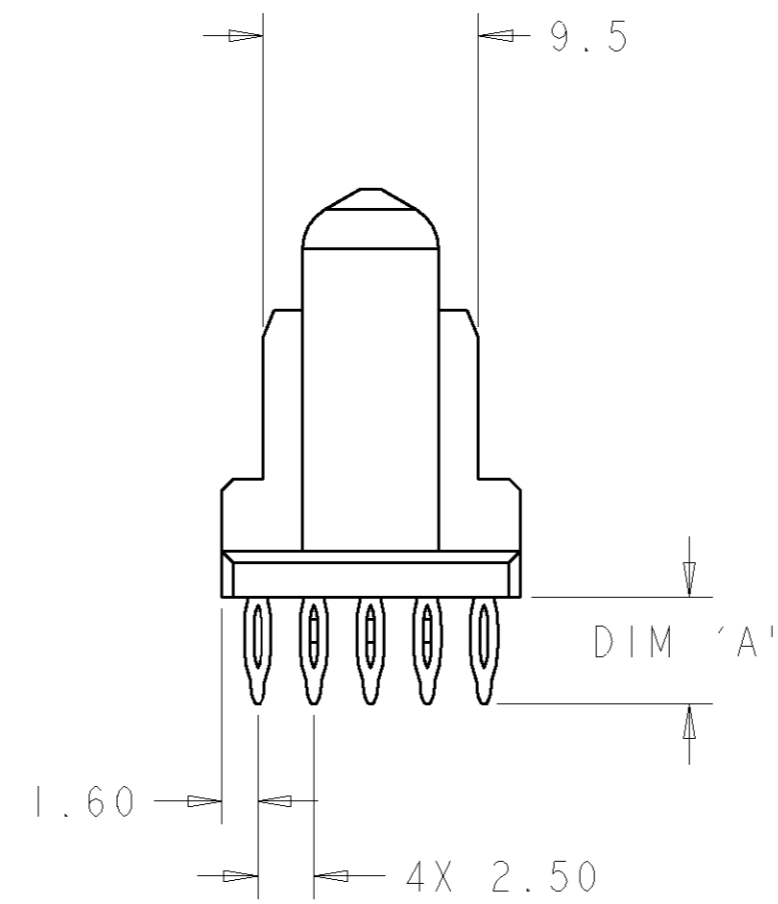
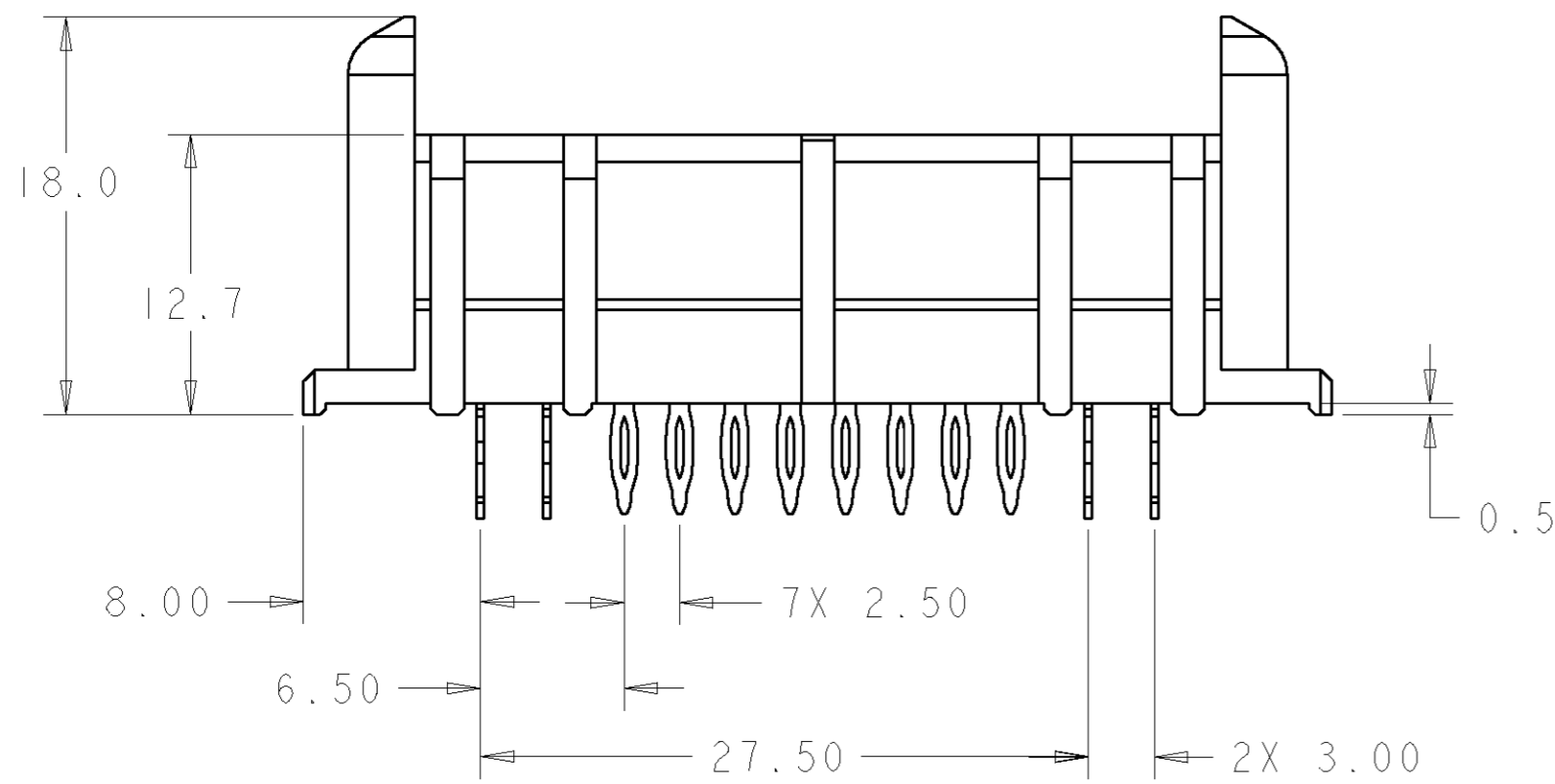
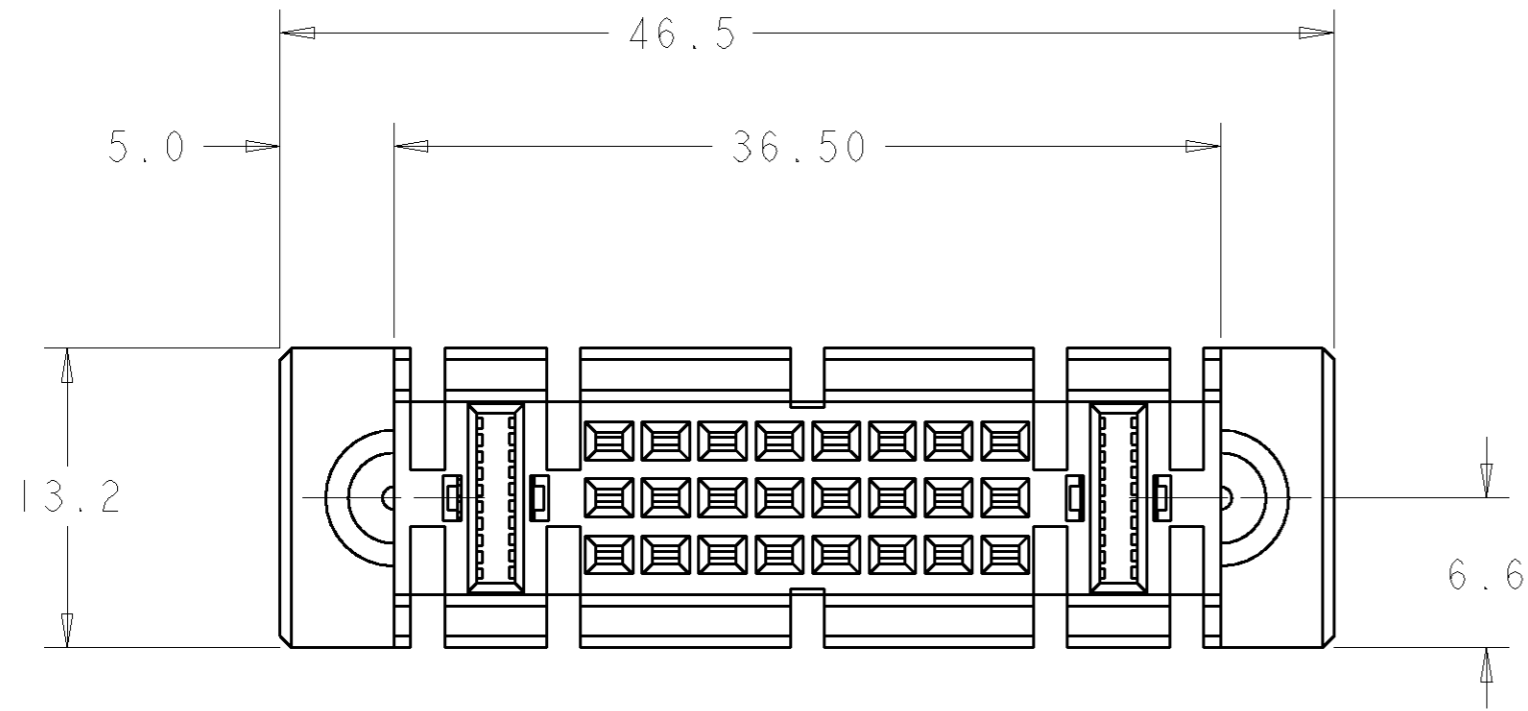
DIM "A"	DESCRIPTION	PART NUMBER
5.08-4.06	COMPLIANT, PAGE 2	6651758-3
5.08-4.06	STD, SOLDER TAIL	6651758-2
3.56-2.54	SHORT, SOLDER TAIL	6651758-1

THIS DRAWING IS A CONTROLLED DOCUMENT FOR TYCO ELECTRONICS CORPORATION. IT IS SUBJECT TO CHANGE AND THE CONTROLLING ENGINEERING ORGANIZATION SHOULD BE CONTACTED FOR THE LATEST REVISION.		DWN: R. GRZYBOWSKI 12 JUN 2007 CHK: P. DAMATO 12 JUN 2007 APVD: S. FLICKINGER 12 JUN 2007	Tyco Electronics Harrisburg, PA 17105-3608
DIMENSIONS: mm 	TOLERANCES UNLESS OTHERWISE SPECIFIED: 0 PLC ±.3 1 PLC ±.15 2 PLC ±.15 3 PLC ±.15 4 PLC ±.15 ANGLES ±.5 FINISH	NAME: SOCKET CONNECTOR ASSY, STRAIGHT SHORT/ STD SOLDER COMPLIANT, MINIPAK PRODUCT SPEC: - APPLICATION SPEC: - WEIGHT: -	SIZE: A2 CAGE CODE: 00779 DRAWING NO: 6651758 RESTRICTED TO: -
MATERIAL: -		CUSTOMER DRAWING	
		SCALE: 3:1	SHEET 1 OF 4 REV A

**ELCON MINIPAK**

THIS DRAWING IS UNPUBLISHED. RELEASED FOR PUBLICATION 20  
 © COPYRIGHT 20 BY TYCO ELECTRONICS CORPORATION. ALL RIGHTS RESERVED.

LOC	DIST	REVISIONS					
GP	00	P	LTR	DESCRIPTION	DATE	DWN	APVD
		-		SEE SHEET 1	-	-	-



AS SHOWN	6651758-3
DESCRIPTION	PART NUMBER

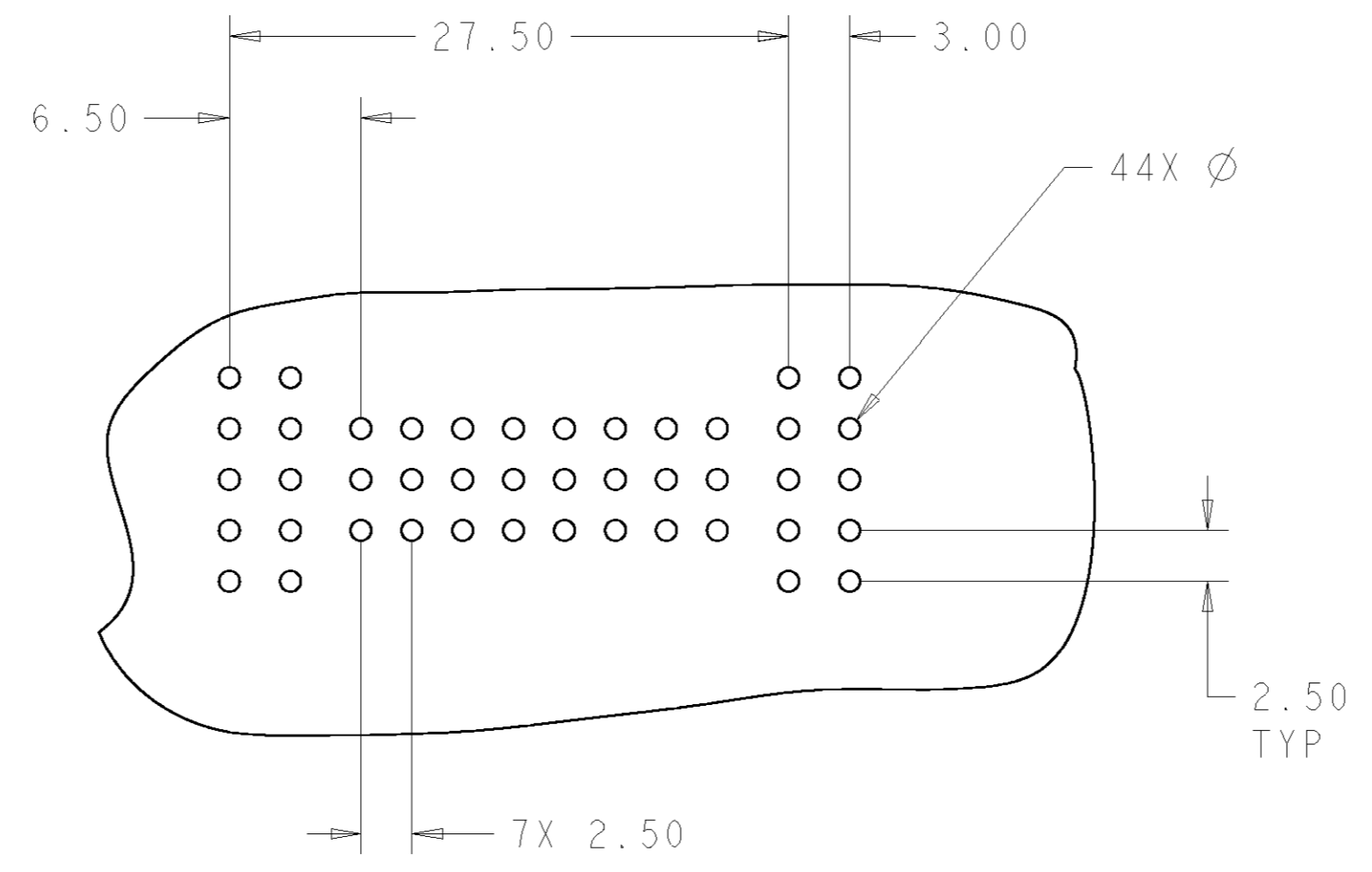
THIS DRAWING IS A CONTROLLED DOCUMENT FOR TYCO ELECTRONICS CORPORATION. IT IS SUBJECT TO CHANGE AND THE CONTROLLING ENGINEERING ORGANIZATION SHOULD BE CONTACTED FOR THE LATEST REVISION.		DWN	R. GRZYBOWSKI	12 JUN 2007
DIMENSIONS:		CHK	P. DAMATO	12 JUN 2007
mm	TOLERANCES UNLESS OTHERWISE SPECIFIED:	APVD	S. FLICKINGER	12 JUN 2007
	0 PLC ±	PRODUCT SPEC		
	1 PLC ±.3	APPLICATION SPEC		
	2 PLC ±.15	WEIGHT		
	3 PLC ±	CUSTOMER DRAWING		
	4 PLC ±			
	ANGLES ±.5			
MATERIAL	FINISH			

Tyco Electronics Harrisburg, PA 17105-3608		NAME		SOCKET CONNECTOR ASSY, STRAIGHT SHORT/ STD SOLDER COMPLIANT, MINIPAK	
SIZE	CAGE CODE	DRAWING NO	RESTRICTED TO		
A2	00779	C-6651758	-		
SCALE	3:1	SHEET	2	OF	4
REV	A				

**ELCON** **MINIPAK**

THIS DRAWING IS UNPUBLISHED.      RELEASED FOR PUBLICATION      20  
 © COPYRIGHT 20      BY TYCO ELECTRONICS CORPORATION. ALL RIGHTS RESERVED.

LOC	DIST	REVISIONS					
GP	00	P	LTR	DESCRIPTION	DATE	DWN	APVD
		-		SEE SHEET 1	-	-	-

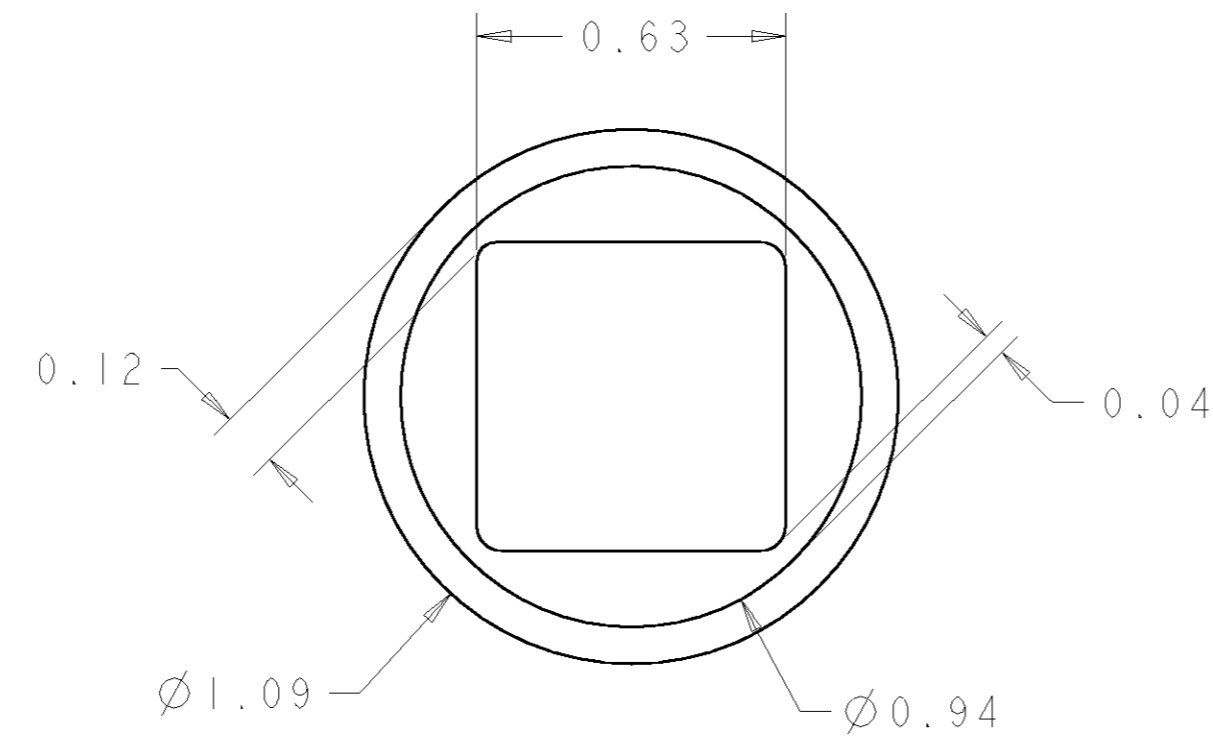
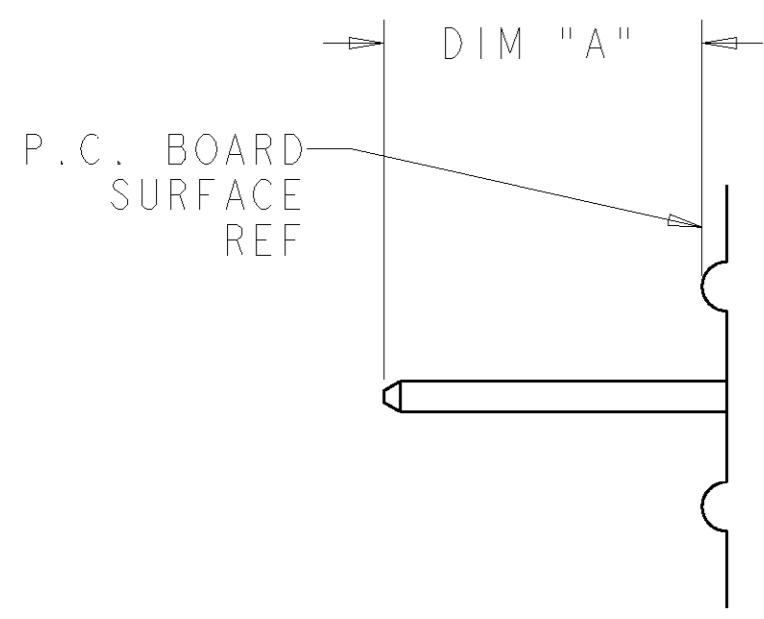


PRINTED CIRCUIT LAYOUT  
 COMPONENT SIDE

<small>THIS DRAWING IS A CONTROLLED DOCUMENT FOR TYCO ELECTRONICS CORPORATION          IT IS SUBJECT TO CHANGE AND THE CONTROLLING ENGINEERING ORGANIZATION          SHOULD BE CONTACTED FOR THE LATEST REVISION.</small>		DWN R. GRZYBOWSKI 12 JUN 2007 CHK P. DAMATO 12 JUN 2007 APVD S. FLICKINGER 12 JUN 2007	Tyco Electronics Harrisburg, PA 17105-3608
DIMENSIONS: mm 	TOLERANCES UNLESS OTHERWISE SPECIFIED: 0 PLC ±.3 1 PLC ±.3 2 PLC ±.15 3 PLC ±.15 4 PLC ±.15 ANGLES ±.5 FINISH	NAME SOCKET CONNECTOR ASSY, STRAIGHT SHORT/ STD SOLDER COMPLIANT, MINIPAK PRODUCT SPEC - APPLICATION SPEC - WEIGHT -	SIZE A2 CAGE CODE 00779 DRAWING NO. C-6651758 RESTRICTED TO -
MATERIAL		CUSTOMER DRAWING	SCALE 3:1 SHEET 3 OF 4 REV A

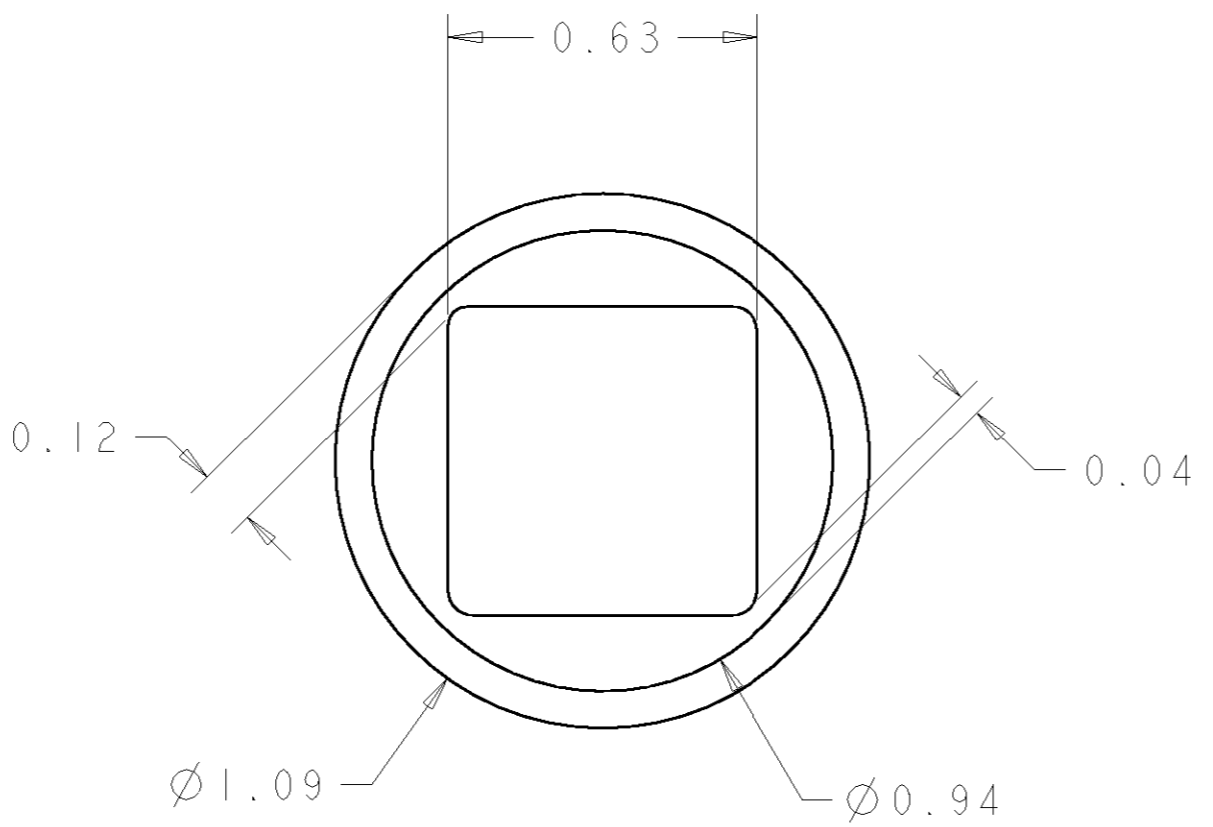
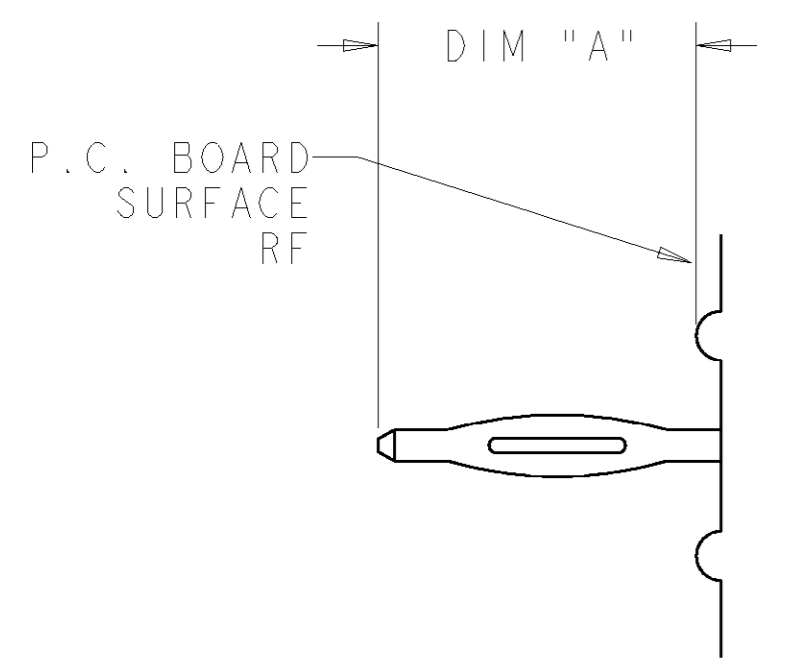
THIS DRAWING IS UNPUBLISHED. RELEASED FOR PUBLICATION 20  
 © COPYRIGHT 20 BY TYCO ELECTRONICS CORPORATION. ALL RIGHTS RESERVED.

LOC	DIST	REVISIONS					
GP	00	P	LTR	DESCRIPTION	DATE	DWN	APVD
		-		SEE SHEET 1	-	-	-



6. SOLDER PIN DETAIL  
SCALE 10:1

**△ SOLDER TERMINATION AREA**  
SCALE 40:1  
 RECOMMENDED PRINTED CIRCUIT SOLDER HOLE  
 FINISHED HOLE:  $\varnothing 1.02$  [.040]  $\pm .08$  [.003]  
 DRILLED HOLE:  $\varnothing 1.15$  [.0453]  $\pm .013$  [.0005]  
 COPPER PLATE: .025 [.0010] MIN  
 TIN PLATE: .008 [.0003] MIN. (PER SURFACE)



6. COMPLIANT PIN DETAIL  
SCALE 10 : 1  
 INSERTION/EXTRACTION FORCES  
 MAXIMUM PUSH IN: 133.3N PER PIN  
 [30 LBS]  
 MINIMUM PUSH OU: 44.4N PER PIN  
 [10 LBS]

**△ SOLDER TERMINATION AREA**  
SCALE 40:1  
 RECOMMENDED PRINTED CIRCUIT HOLE  
 COMPLIANT PRESS FIT  
 DRILLED HOLE:  $\varnothing 1.15$  [.0453]  $\pm .013$  [.0005]  
 COPPER PLATE: .025 [.0010] MIN  
 TIN PLATE: .008 [.0003] MIN. (PER SURFACE)

<small>THIS DRAWING IS A CONTROLLED DOCUMENT FOR TYCO ELECTRONICS CORPORATION          IT IS SUBJECT TO CHANGE AND THE CONTROLLING ENGINEERING ORGANIZATION          SHOULD BE CONTACTED FOR THE LATEST REVISION.</small>		DWN R. GRZYBOWSKI 12 JUN 2007 CHK P. DAMATO 12 JUN 2007 APVD S. FLICKINGER 12 JUN 2007	Tyco Electronics Harrisburg, PA 17105-3608
DIMENSIONS: mm 	TOLERANCES UNLESS OTHERWISE SPECIFIED: 0 PLC $\pm$ .3 1 PLC $\pm$ .3 2 PLC $\pm$ .15 3 PLC $\pm$ .15 4 PLC $\pm$ .15 ANGLES $\pm$ 5 FINISH	PRODUCT SPEC - APPLICATION SPEC - WEIGHT -	NAME SOCKET CONNECTOR ASSY, STRAIGHT SHORT/ STD SOLDER COMPLIANT, MINIPAK SIZE A200779 CAGE CODE C-6651758 DRAWING NO. 6651758 RESTRICTED TO -
MATERIAL		CUSTOMER DRAWING	SCALE 3:1 SHEET 4 OF 4 REV A