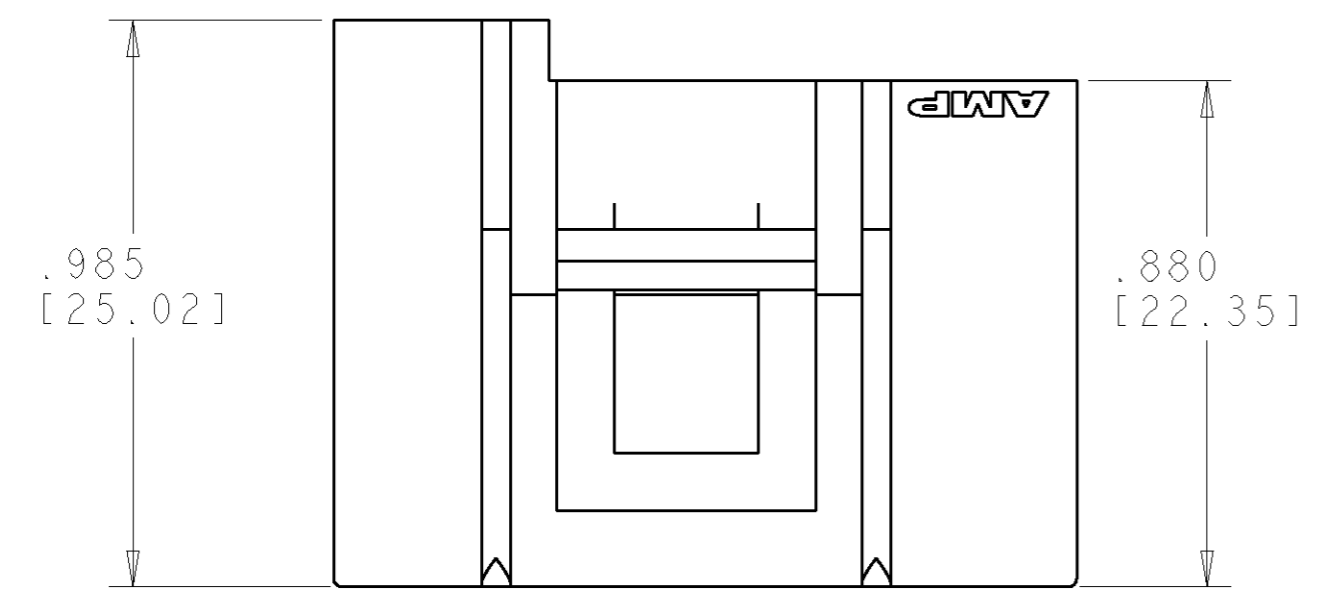
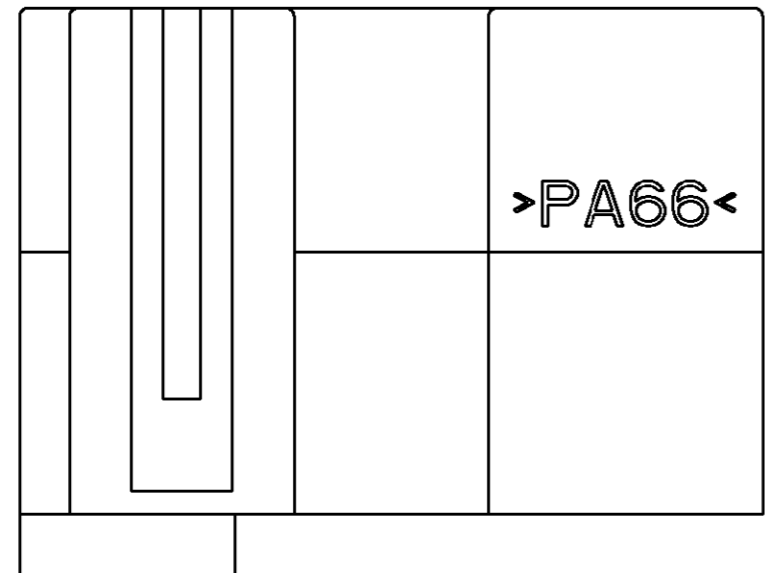
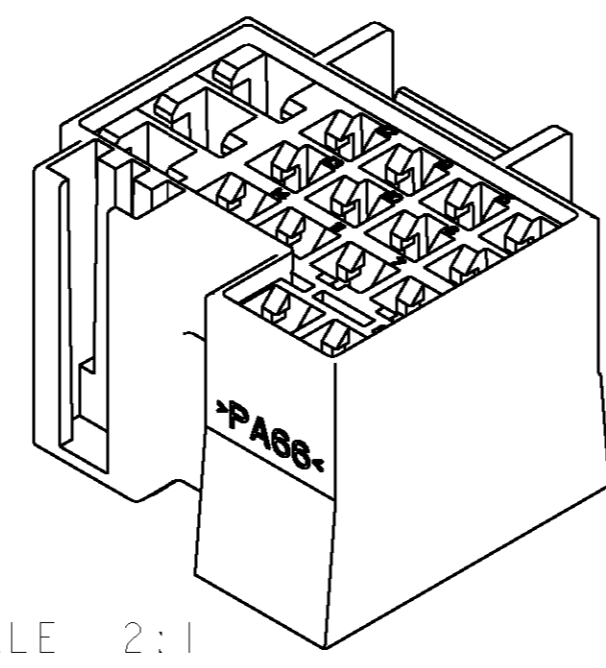
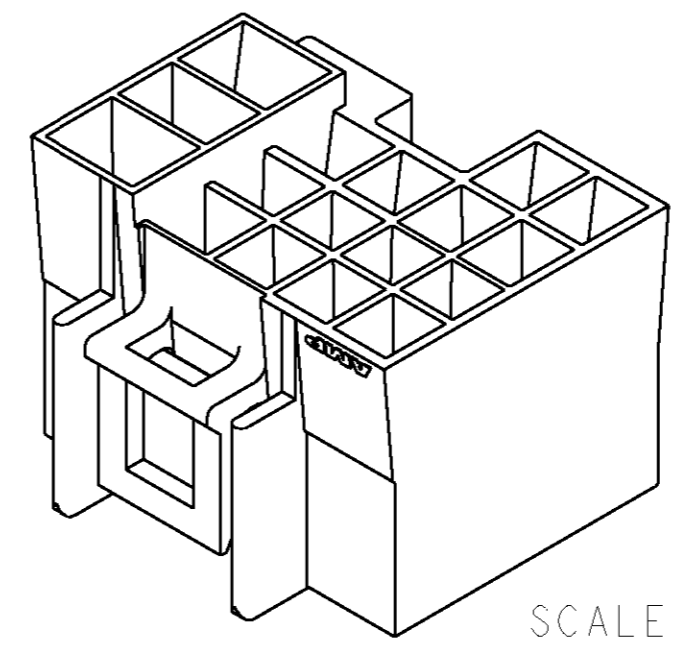
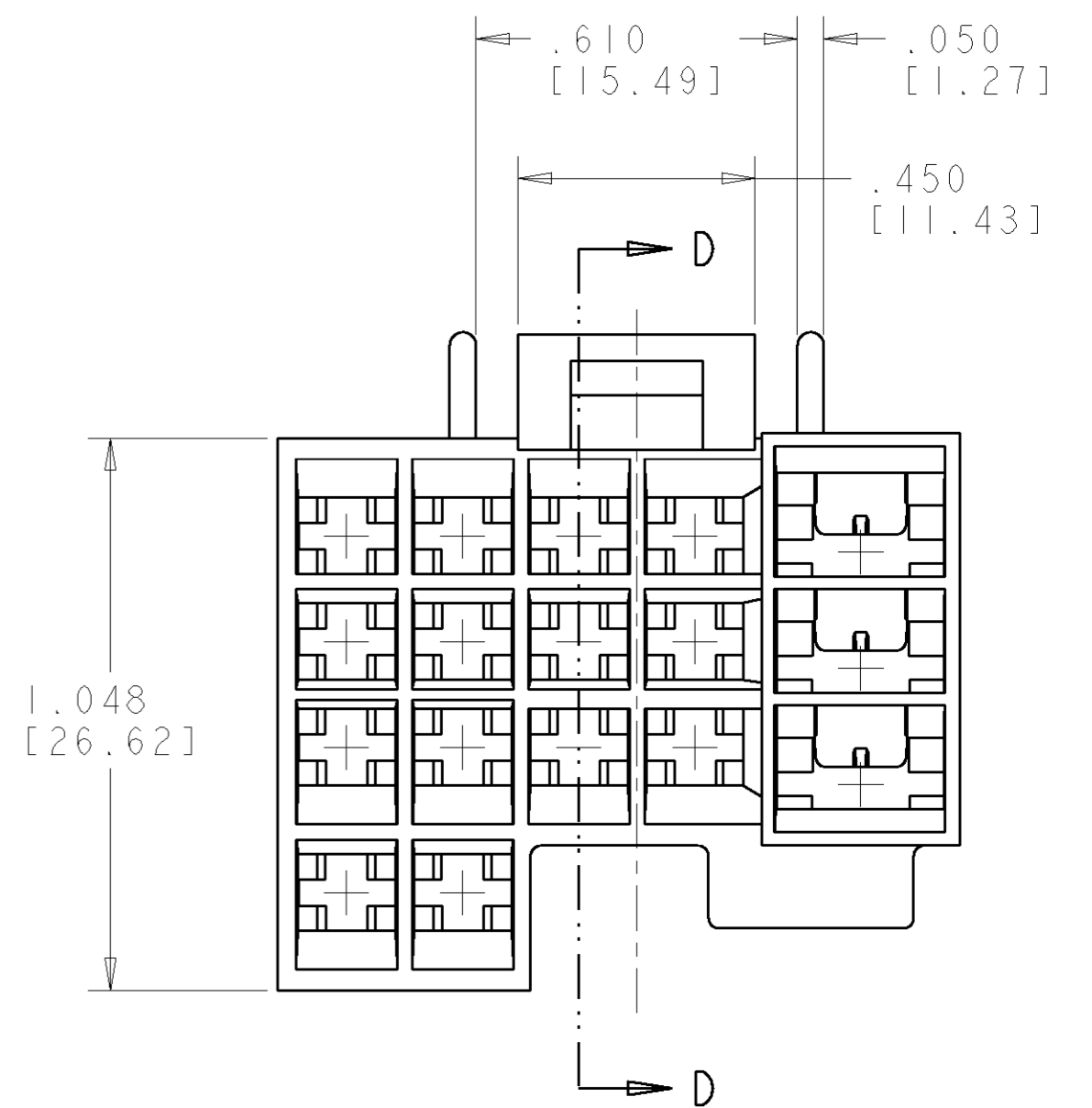
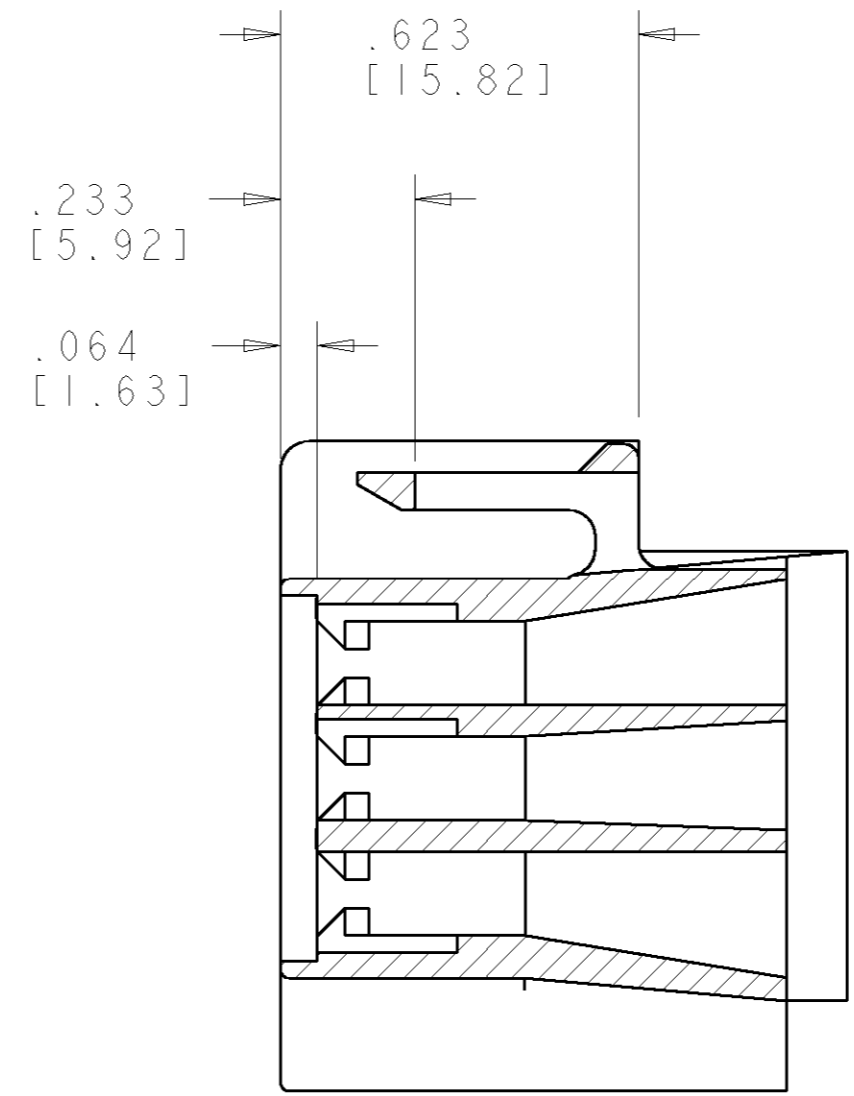
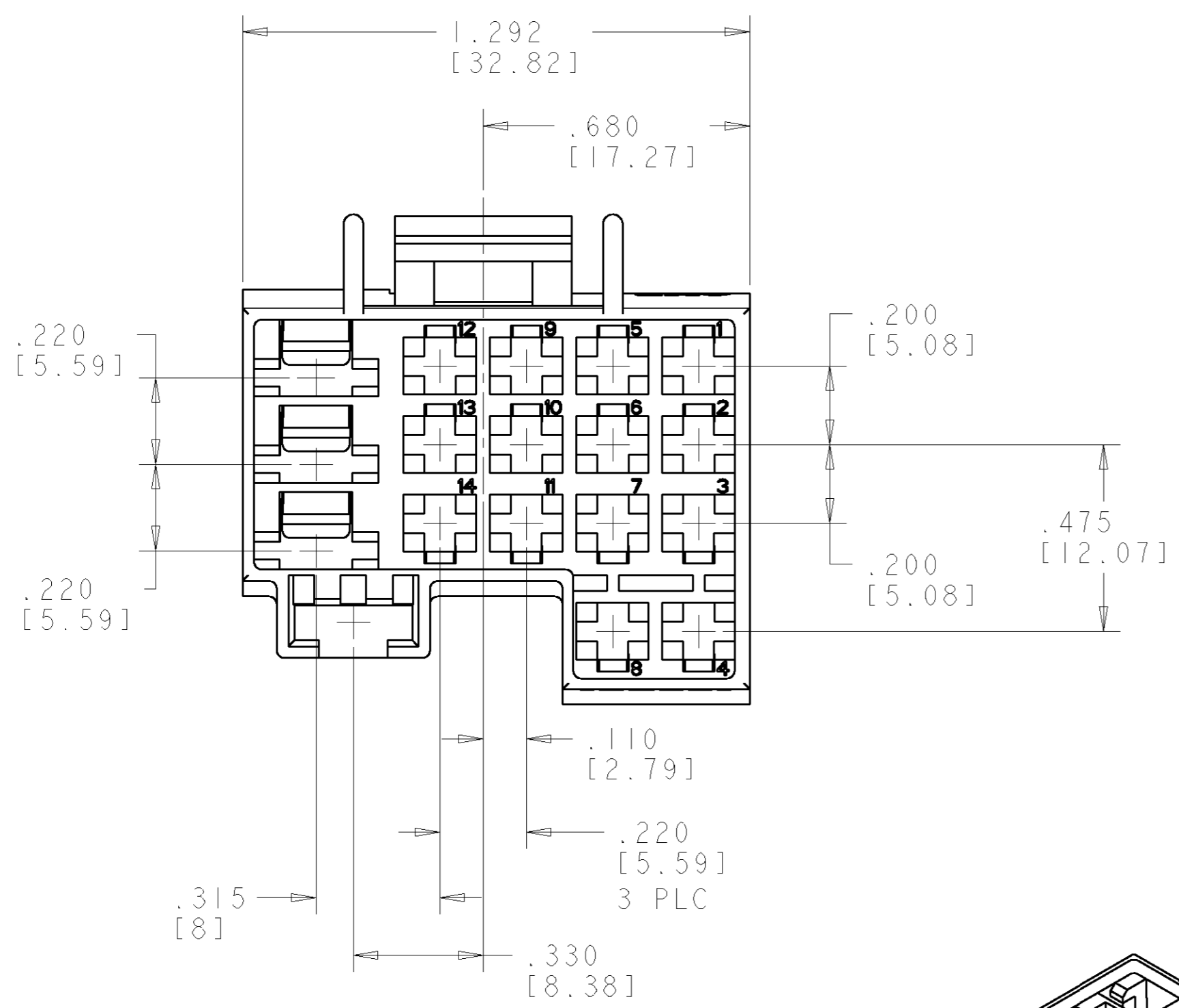


LOC	DIST	REVISIONS			
P	LTR	DESCRIPTION	DATE	DWN	APVD
AF	50				
E		REV PER 0G3A-0317-02	21MAY2002	RCF	DD
F		REV PER 0G3A-0341-02	05JUN2002	RCF	DD
G		REV PER 0G3A-0343-02	10JUN2002	RCF	DD
H		REV PER 0G3A-0571-02	19SEP2002	RCF	DD



1. PART ACCEPTS .125[3.18] RECEPTACLE CONTACT P/N 61603-1 OR 61604-1, EXCEPT FOR THE .250 X .032[6.35 X 0.81] RECEPTACLES.



521254-1  
PART NUMBER

THIS DRAWING IS A CONTROLLED DOCUMENT FOR TYCO ELECTRONICS CORPORATION. IT IS SUBJECT TO CHANGE AND THE CONTROLLING ENGINEERING ORGANIZATION SHOULD BE CONTACTED FOR THE LATEST REVISION.		DWN R FLAIG 21MAY2002 CHK D DECKER 21MAY2002 APVD D DECKER 21MAY2002	Tyco Electronics Harrisburg, PA 17105-3608
DIMENSIONS: INCHES [mm]	TOLERANCES UNLESS OTHERWISE SPECIFIED: 0 PLC ± 1 PLC ± 2 PLC ± 3 PLC ±.005[0.13] 4 PLC ± ANGLES ±° FINISH	PRODUCT SPEC - APPLICATION SPEC - WEIGHT -	NAME HOUSING, 17 POSN, SIDE LATCHED, TIMER CONN. SIZE A2 CAGE CODE 00779 DRAWING NO 521254 RESTRICTED TO - SCALE 3:1 SHEET 1 OF 1 REV H
MATERIAL -		CUSTOMER DRAWING	