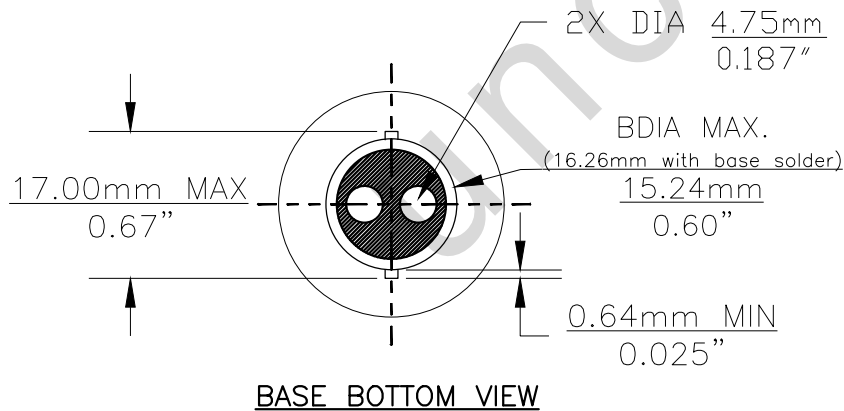
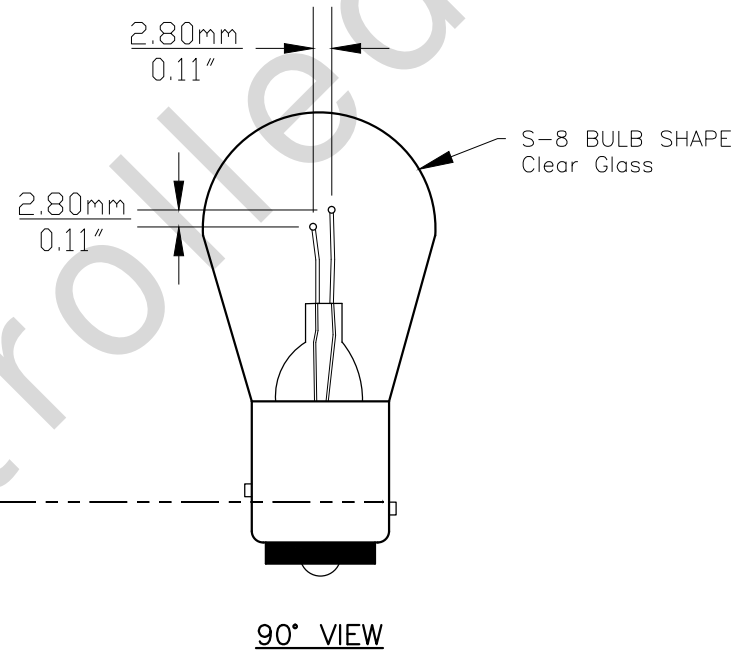
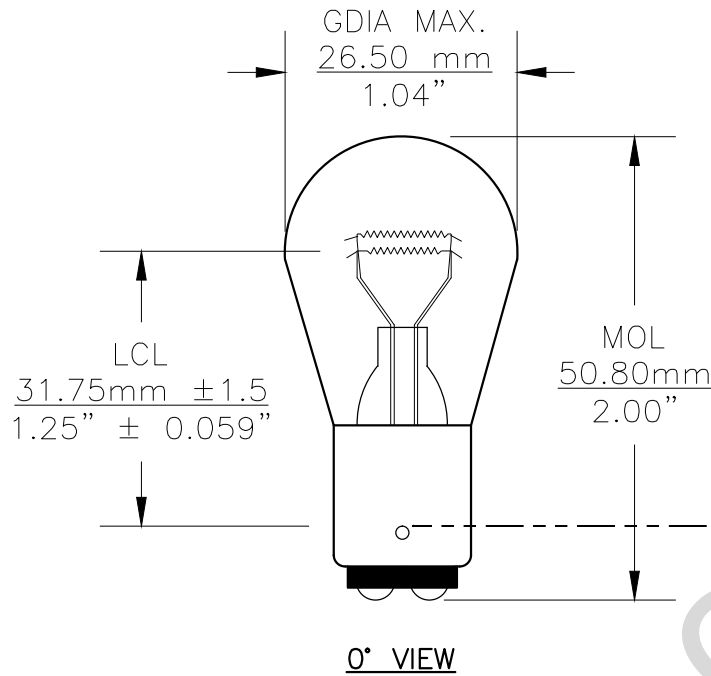




PART NO.	BASE TYPE	DESIGN VOLTS	DESIGN AMPS	MSCD	FILAMENT TYPE	AVERAGE LIFE HOURS	REVISIONS			
							REV #	DESCRIPTION	DATE	APPROVED
2357LL	D.C. INDEX BAY15d	12.8V 14V	2.23±5% 0.59±8%	40±10% 3±12%	C-6 C-6	800 10,000	1	REVISED LIFE HOURS	11/15/2005	D.C.



Note: Made according to SAE specifications

UNLESS OTHERWISE SPECIFIED: DIMENSIONS ARE IN INCHES TOLERANCES		CEC INDUSTRIES LTD			
DECIMALS	ANGULAR	599 BOND STREET		LINCOLNSHIRE, IL 60069	
.XX ± .05	± 0.5°	TITLE LIGHT BULB NO. 2357LL			
.XXX ± .010		DATE 01/23/2001	SIZE A	FSCM NO.	DWG NO. 2357LL
FRACTIONAL	± 1/64	CHECKED	REV 1	DWG NO. 2357LL	REV 1
DRAWN ELIZABETH SONANES		SCALE	PLOT SCALE	SHEET 1 OF 1	
DESIGN		FILE 2357LL.pdf	DRAWING NOT TO SCALE		
MATERIAL					