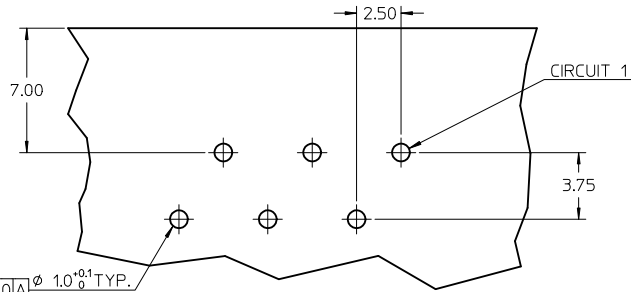
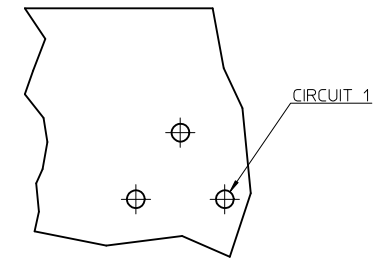


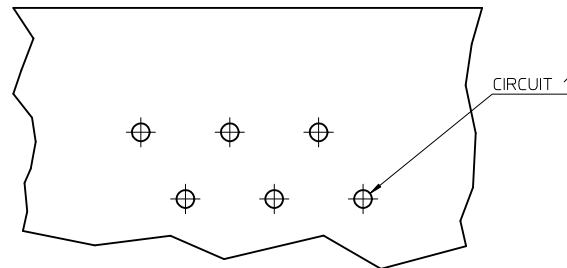
±0.10 A
 ∅ 1.0^{+0.1}₋₀ TYP.
 TYP.



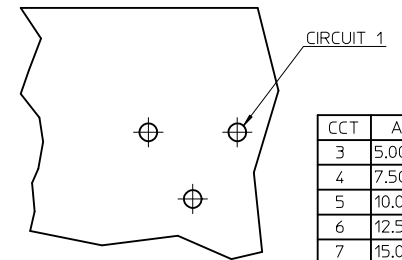
STANDARD PCB LAYOUT - EVEN CCT SIZE



STANDARD PCB LAYOUT - ODD CCT SIZE

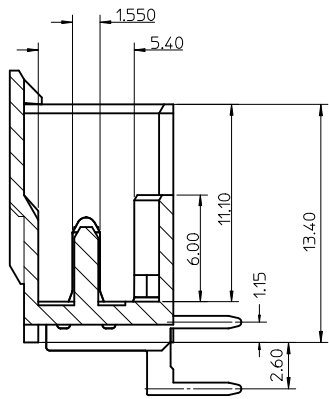


OPPOSITE PCB LAYOUT - EVEN CCT SIZE

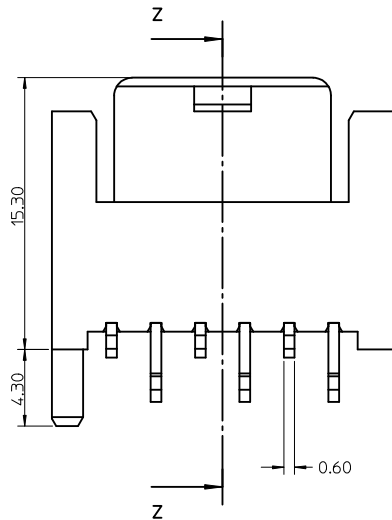


OPPOSITE PCB LAYOUT - ODD CCT SIZE

CCT	A	B	C
3	5.00	10.10	11.70
4	7.50	12.60	14.20
5	10.00	15.10	16.70
6	12.50	17.60	19.20
7	15.00	20.10	21.70
8	17.50	22.60	24.20
9	20.00	25.10	26.70
10	22.50	27.60	29.20
11	25.00	30.10	31.70
12	27.50	32.60	34.20
13	30.00	35.10	36.70
14	32.50	37.60	39.20
15	35.00	40.10	41.70



Z-Z



Z

NOTES:

- MATERIAL: HOUSING - PA66 25% G/F, UL94 V-0
 COLOUR: NATURAL
 TERMINAL - BRASS
 PLATING - 3-7um Sn over 1.27um Min Ni
- PARTS PACKED AS PER PK-90370-001
- PRODUCT SPECIFICATION: PS-93070-001
- RECOMMENDED PCB THICKNESS: 1.5+/-0.14mm

ADDED 93070-0011 EC NO: E2011-0284 DRWN:BGOLDEN 2011/10/19 CHKD: APPR:BMAGUIRE 2011/10/05	QUALITY SYMBOLS	GENERAL TOLERANCES (UNLESS SPECIFIED)	DIMENSION STYLE	SCALE	DESIGN UNITS	THIRD ANGLE PROJECTION
	▼=0 ▽=0	mm INCH 4 PLACES ± --- ± --- 3 PLACES ± 0.05 ± --- 2 PLACES ± 0.10 ± --- 1 PLACE ± 0.20 ± --- ANGULAR ± 2 °	MM ONLY DRAWN BY DATE TITOURISH 2008/03/14 CHECKED BY DATE BRUTTLE 2008/03/14 APPROVED BY DATE BMAGUIRE 2011/10/05 MATERIAL NO.	5:1	METRIC	RAST 2.5 APPLI-MATE RIGHT ANGLE MALE HEADER 2.5 PITCH
	DRAFT WHERE APPLICABLE MUST REMAIN WITHIN DIMENSIONS	SEE SHEET 2&3 THIS DRAWING CONTAINS INFORMATION THAT IS PROPRIETARY TO MOLEX INCORPORATED AND SHOULD NOT BE USED WITHOUT WRITTEN PERMISSION	MOLEX INCORPORATED DOCUMENT NO. SD-93072-001 SHEET NO. 1 OF 4			
	REV	DESCRIPTION				

3 CIRCUIT

MOLEX PART NO.	BLOCKED POSITION KEYS	TERMINAL VOID POSITION	CONFIGURATION	LATCH	CCT 1 LOCATION	
93072-0001	NONE	NONE		YES	STANDARD	
93072-0002	b d	NONE		YES	STANDARD	
93072-0003	b c	NONE		YES	STANDARD	
93072-0004	d	NONE		YES	STANDARD	
93072-0005	a	NONE		YES	STANDARD	
93072-0006	a b	NONE		YES	STANDARD	
93072-0007	a c	NONE		YES	STANDARD	
93072-0008	a d	NONE		YES	STANDARD	
93072-0009	c d	NONE		YES	STANDARD	
93072-0010	b	NONE		YES	STANDARD	
93072-0011	NONE	NONE		NO	STANDARD	
93072-0012	b d	NONE		YES	STANDARD	BLUE
93072-0013	b c	NONE		YES	STANDARD	RED
93072-0014	d	NONE		YES	STANDARD	GREEN
93072-0015	a	NONE		YES	STANDARD	BLACK

4 CIRCUIT

MOLEX PART NO.	BLOCKED POSITION KEYS	TERMINAL VOID POSITION	CONFIGURATION	LATCH	CCT 1 LOCATION	
93072-0501	NONE	NONE		YES	STANDARD	
93072-0502	b c	NONE		YES	STANDARD	
93072-0503	b c	CCT 4		YES	STANDARD	
93072-0504	c d	NONE		YES	STANDARD	
93072-0505	NONE	CCT 1		YES	STANDARD	
93072-0601	b c	NONE		YES	OPPOSITE	
93072-0506	b	NONE		YES	STANDARD	
93072-0507	c	NONE		YES	STANDARD	
93072-0508	d	NONE		YES	STANDARD	
93072-0509	a c d	NONE		YES	STANDARD	
93072-0510	b c d	NONE		YES	STANDARD	
93072-0511	b c d	NONE		YES	STANDARD	
93072-0512	d	NONE		YES	STANDARD	RED

5 CIRCUIT

MOLEX PART NO.	BLOCKED POSITION KEYS	TERMINAL VOID POSITION	CONFIGURATION	LATCH	CCT 1 LOCATION	
93072-1001	NONE	NONE		YES	STANDARD	
93072-1002	c d	NONE		YES	STANDARD	
93072-1003	a d f	NONE		YES	STANDARD	
93072-1101	NONE	NONE		YES	OPPOSITE	
93072-1004	d	NONE		YES	STANDARD	
93072-1005	a b e f	NONE		YES	STANDARD	
93072-1006	b c d e	NONE		YES	STANDARD	
93072-1007	c d	NONE		YES	STANDARD	RED
93072-1008	a b e f	NONE		YES	STANDARD	BLUE
93072-1009	b c d e	NONE		YES	STANDARD	GREEN

NOTES:
 1. + DENOTES TERMINAL VOIDED POSITION
 ● DENOTES TERMINAL LOADED POSITION

SEE SHEET 1 EC NO: E2011-0284 DRWNGOLDEN CHKD: APPR:BMAGUIRE 2011/10/05	QUALITY SYMBOLS	GENERAL TOLERANCES (UNLESS SPECIFIED)	DIMENSION STYLE	SCALE	DESIGN UNITS	THIRD ANGLE PROJECTION	
	▽=0	mm INCH	MM ONLY	1:1	METRIC		
	▽=0	4 PLACES ± --- ± ---	TITOURISH	DATE	2008/03/14	TITLE	RAST 2.5 APPLI-MATE RIGHT ANGLE MALE HEADER 2.5 PITCH
		3 PLACES ± 0.05 ± ---	CHECKED BY	DATE	2008/03/14	MATERIAL NO.	SD-93072-001
	2 PLACES ± 0.10 ± ---	APPROVED BY	DATE	2011/10/05	DOCUMENT NO.		
	1 PLACE ± 0.20 ± ---						
	ANGULAR ± 2 °	DRAFT WHERE APPLICABLE MUST REMAIN WITHIN DIMENSIONS	SEE CHARTS			SHEET NO. 2 OF 4	
			THIS DRAWING CONTAINS INFORMATION THAT IS PROPRIETARY TO MOLEX INCORPORATED AND SHOULD NOT BE USED WITHOUT WRITTEN PERMISSION				

6 CIRCUIT

MOLEX PART NO.	BLOCKED POSITION KEYS	TERMINAL VOID POSITION	CONFIGURATION	LATCH	CCT 1 LOCATION
93072-1501	NONE	NONE		YES	STANDARD
93072-1502	d f	CCT 2, 5		YES	STANDARD
93072-1503	c e	NONE		YES	STANDARD
93072-1505	d f	NONE		YES	STANDARD
93072-1506	b d f	CCT 4, 5		YES	STANDARD
93072-1507	NONE	CCT 2		YES	STANDARD
93072-1508	c f	CCT 2		YES	STANDARD
93072-1509	d	NONE		YES	STANDARD
93072-1510	a b c e f	NONE		YES	STANDARD
93072-1511	e f	NONE		YES	STANDARD
93072-1512	d f	NONE		YES	STANDARD GREEN

7 CIRCUIT

MOLEX PART NO.	BLOCKED POSITION KEYS	TERMINAL VOID POSITION	CONFIGURATION	LATCH	CCT 1 LOCATION
93072-2001	NONE	NONE		YES	STANDARD
93072-2002	a f	CCT 2, 6		YES	STANDARD
93072-2003	d g	CCT 4		YES	STANDARD
93072-2004	a e	CCT 4		YES	STANDARD
93072-2005	d f g	CCT 4		YES	STANDARD
93072-2006	a f	CCT 4		YES	STANDARD
93072-2007	a	NONE		YES	STANDARD
93072-2008	NONE	CCT 2		YES	STANDARD
93072-2009	a	CCT 4		YES	STANDARD
93072-2010	h	CCT 2		YES	STANDARD
93072-2011	b e g	NONE		YES	STANDARD
93072-2012	NONE	NONE		YES	STANDARD
93072-2007	h	CCT 2		YES	STANDARD

8 CIRCUIT

MOLEX PART NO.	BLOCKED POSITION KEYS	TERMINAL VOID POSITION	CONFIGURATION	LATCH	CCT 1 LOCATION
93072-2501	NONE	NONE		YES	STANDARD
93072-2502	c f h i	NONE		YES	STANDARD
93072-2503	b c d h i	CCT 4, 7		YES	STANDARD
93072-2601	NONE	CCT 4, 7		YES	OPPOSITE
93072-2504	b c d h i	NONE		YES	STANDARD

ENTER DESCRIPTION IEC NO: E2071-0284 DRAWN BY: DRWINGOLDEN CHKD: APPR: BMAGUIRE DATE: 2011/01/19 DESCRIPTION: APPROX: BMAGUIRE	QUALITY SYMBOLS	GENERAL TOLERANCES (UNLESS SPECIFIED)	DIMENSION STYLE	SCALE	DESIGN UNITS	FIRST ANGLE PROJECTION
	$\nabla=0$ $\nabla=0$	mm INCH 4 PLACES ± --- ± --- 3 PLACES ± 0.05 ± --- 2 PLACES ± 0.10 ± --- 1 PLACE ± 0.20 ± --- ANGULAR ± 2 °	MM ONLY DRAWN BY: T. TOURISH DATE: 2008/03/14 CHECKED BY: BRUTTLE DATE: 2008/03/14 APPROVED BY: BMAGUIRE DATE: 2011/10/05	5:1	METRIC	RAST 2.5 APPLI-MATE RIGHT ANGLE MALE HEADER 2.5 PITCH
	DRAFT WHERE APPLICABLE MUST REMAIN WITHIN DIMENSIONS	SEE CHARTS THIS DRAWING CONTAINS INFORMATION THAT IS PROPRIETARY TO MOLEX INCORPORATED AND SHOULD NOT BE USED WITHOUT WRITTEN PERMISSION	MATERIAL NO. SD-93072-001	DOCUMENT NO. SD-93072-001	SHEET NO. 3 OF 4	
	SIZE 1					

9 CIRCUIT

MOLEX PART NO.	BLOCKED POSITION KEYS	TERMINAL VOID POSITION	CONFIGURATION	LATCH	CCT 1 LOCATION
93072-3001	NONE	NONE		YES	STANDARD
93072-3002	ALL	CCT 2, 5, 8		YES	STANDARD
93072-3101	NONE	CCT 3, 5, 8		YES	OPPOSITE
93072-3003	c d e i j	CCT 3, 5, 8		YES	STANDARD
93072-3004	NONE	CCT 2, 5, 8		YES	STANDARD
93072-3005	b c d e f g i	CCT 3, 5, 8		YES	STANDARD

10 CIRCUIT

MOLEX PART NO.	BLOCKED POSITION KEYS	TERMINAL VOID POSITION	CONFIGURATION	LATCH	CCT 1 LOCATION
93072-3501	NONE	NONE		YES	STANDARD
93072-3502	NONE	CCT 2, 5, 7, 9		YES	STANDARD
93072-3503	a b d e f g i j	NONE		YES	STANDARD

11 CIRCUIT

MOLEX PART NO.	BLOCKED POSITION KEYS	TERMINAL VOID POSITION	CONFIGURATION	LATCH	CCT 1 LOCATION
93072-4001	NONE	NONE		YES	STANDARD

12 CIRCUIT

MOLEX PART NO.	BLOCKED POSITION KEYS	TERMINAL VOID POSITION	CONFIGURATION	LATCH	CCT 1 LOCATION
93072-4501	NONE	NONE		YES	STANDARD
93072-4502	NONE	CCT 2, 5, 8, 11		YES	STANDARD

13 CIRCUIT

MOLEX PART NO.	BLOCKED POSITION KEYS	TERMINAL VOID POSITION	CONFIGURATION	LATCH	CCT 1 LOCATION
93072-5001	NONE	NONE		YES	STANDARD
93072-5002	NONE	CCT 4, 6, 8, 10, 12		YES	STANDARD

14 CIRCUIT

MOLEX PART NO.	BLOCKED POSITION KEYS	TERMINAL VOID POSITION	CONFIGURATION	LATCH	CCT 1 LOCATION
93072-5501	NONE	NONE		YES	STANDARD

15 CIRCUIT

MOLEX PART NO.	BLOCKED POSITION KEYS	TERMINAL VOID POSITION	CONFIGURATION	LATCH	CCT 1 LOCATION
93072-6001	NONE	NONE		YES	STANDARD
93072-6002	o p	CCT 4, 6, 8, 10, 12, 14		YES	STANDARD
93072-6003	a d g i j n o p	NONE		YES	STANDARD

NOTES:
 1. + DENOTES TERMINAL VOIDED POSITION
 ⊕ DENOTES TERMINAL LOADED POSITION

SEE SHEET 1 SEC NO: E2011-0284 DRAWN BY: DRWINBOLDEN CHECKED BY: APPRS:BMAGUIRE DATE: 2011/10/05	QUALITY SYMBOLS	GENERAL TOLERANCES (UNLESS SPECIFIED)	DIMENSION STYLE	SCALE	DESIGN UNITS	THIRD ANGLE PROJECTION
	▽=0	mm INCH	MM ONLY	1:1	METRIC	
	▽=0	4 PLACES ± --- ± --- 3 PLACES ± 0.05 ± --- 2 PLACES ± 0.10 ± --- 1 PLACE ± 0.20 ± ---	DRAWN BY DATE TTOURISH 2008/03/14			
		ANGULAR ± 2°	CHECKED BY DATE BRUTTLE 2008/03/14			
	DRAFT WHERE APPLICABLE MUST REMAIN WITHIN DIMENSIONS	APPROVED BY DATE BMAGUIRE 2011/10/05				
		MATERIAL NO.	SEE CHARTS			
			THIS DRAWING CONTAINS INFORMATION THAT IS PROPRIETARY TO MOLEX INCORPORATED AND SHOULD NOT BE USED WITHOUT WRITTEN PERMISSION			
			MATERIAL NO. SD-93072-001			
						SHEET NO. 4 OF 4