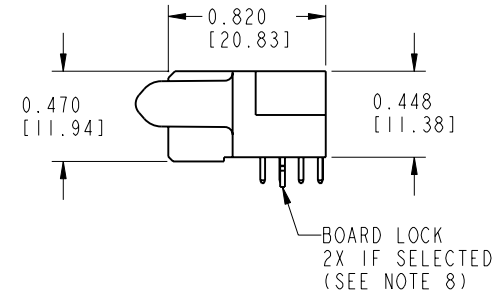
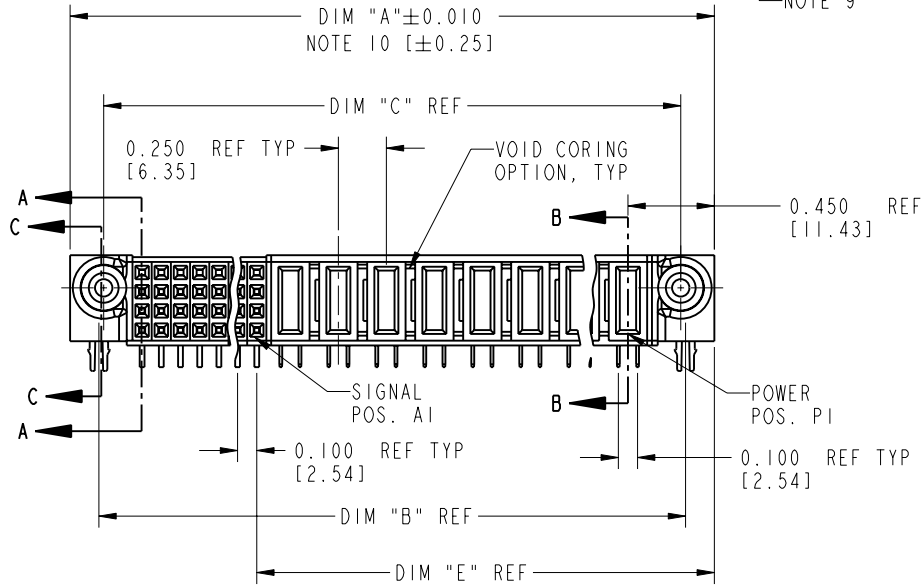
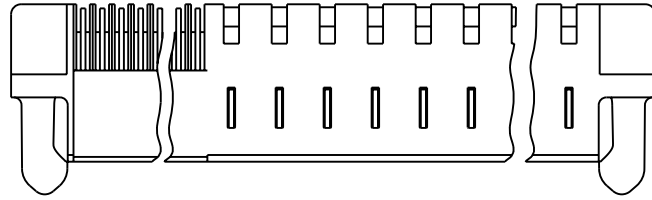


Tous droits strictement réservés. Reproduction ou communication o des liers interdite sous quelque forme que ce soit sans autorisation écrite du propriétaire. Propriete de c FCI. Droits de reproduction FCI.

All rights strictly reserved. Reproduction or issue to third parties in any form whenever is not permitted without written authority from the proprietor. Property of FCI. Copyright FCI.

PRODUCT NUMBER
51772-YYY
SEE NOTE 1



CODE	DIM "M"	DIM "T"	TAIL TYPE	CONTACT TYPE
E	N/A	0.135	SOLDER	SIGNAL
F	N/A	0.135	SOLDER	SIGNAL
G	N/A	0.135	SOLDER	SIGNAL
H	N/A	0.135	SOLDER	SIGNAL
J	N/A	0.090	SOLDER	SIGNAL
K	N/A	0.090	SOLDER	SIGNAL
L	N/A	0.090	SOLDER	SIGNAL
M	N/A	0.090	SOLDER	SIGNAL
PA	0.042 [1.07]	0.135	SOLDER	POWER
PB	0.042 [1.07]	0.090	SOLDER	POWER
PC	0.092 [2.34]	0.135	SOLDER	POWER
PD	0.092 [2.34]	0.090	SOLDER	POWER
HA	N/A	N/A	N/A	HOLD DOWN
X	OMITTED	OMITTED	OMITTED	OMITTED

mat'l code				tolerances unless otherwise specified		CUSTOMER		CONFIDENTIAL	
ltr	ecn no.	dr	date	linear	.XX±.01/0.X±0.3	COPY		www.fciconnect.com	
A	V02739	JWS	11-20-00		.XXX±.005/0.XX±0.13	projection		title: R/A RECEPTACLE W/GUIDE PIN POWER / SIGNAL SPECIAL	
B	V21513	TAB	10-07-02	angles	.XXX±.0020/0.XXX±.051	INCH/MM		product family PwrBlade code 213	
C	DG06-0098	JMG	03-08-06		0°±2°	scale 1:1		size 51772-001 sheet 1 of 3	
sheet index		revision sheet	C C C C	dr	J. SHAFFER 11-20-00			cage code 22526	
			1 2 3 4	engr	J. DODDS 11-15-00			4	
				chr	J. DODDS 11-20-00				
				appd	J. DODDS 11-20-00				

Pro/E

3

cage code 22526

4

PDM: Rev:C

STATUS: Released

Printed: Dec 20, 2010

Tous droits strictement réservés. Reproduction ou communication o des liers interdite sous quelque forme que ce soit sans autorisation écrite du propriétaire. Propriete de c FCI. Droits de reproduction FCI.

All rights strictly reserved. Reproduction or issue to third parties in any form, whenever is not permitted without written authority from the proprietor. Property of FCI. Copyright FCI.

1 | 2

3 |

4

PRODUCT NUMBER	DIM	LENGTH FORMULAS (SEE NOTES 10 AND 18)
51772-YYY	DIM "A"	.100 [2.54] X (CCC/4) + .250 [6.35] X DD + .650 [16.51] (NOTE 10)
SEE NOTE 1	DIM "B"	.100 [2.54] X (CCC/4) + .250 [6.35] X DD + .350 [8.89]
	DIM "C"	.100 [2.54] X (CCC/4) + .250 [6.35] X DD + .300 [7.62]
	DIM "E"	.250 [6.35] X DD + .375 [9.53]
	DIM "F"	.100 [2.54] X (CCC/4) + .250 [6.35] X DD + .680 [17.27]
	DIM "H"	.250 [6.35] X DD + .225 [5.72]

CONNECTOR NOTES:

①. PRODUCT NUMBER CODE FOR SELECT LOAD PART NUMBERS



②. HOUSING MATERIAL: UL 94 V-0 GLASS FILLED HIGH TEMP. THERMOPLASTIC.
SIGNAL CONTACT MATERIAL: COPPER ALLOY
POWER CONTACT MATERIAL: COPPER ALLOY

3. PLATING:
SIGNAL CONTACTS: 30u"/0.76u Au OVER 50u"/1.27u Ni WITH SnPb ON PCB INTERFACE
POWER CONTACTS: 50u"/1.27u Ni UNDER ALL; WITH 30u"/0.76u Au ON CONTACT AREA AND SnPb ON PCB INTERFACE

4. THIS PART NOT AVAILABLE WITH LEFT SIDE POWER CONTACTS.

5. SIGNAL CONTACTS, 004 TO 148 AVAILABLE.

6. RIGHT END POWER CONTACTS, 01 TO 20 AVAILABLE. MAXIMUM OF 20 POWER CONTACTS PER CONNECTOR.

7. TAIL LENGTH:
0.135±0.010 [3.43±0.25] SOLDER TO BOARD

⑧. RETENTION TO PCB:
BOARD LOCK (REQUIRES Ø0.098 +0.002/-0.001 [2.49 + 0.05/ -0.03] THRU HOLE IN PCB). (NOT AVAILABLE WITH PRESS FIT).
MOUNTING FOOT THICKNESS: 0.220 [5.59]
OR
Ø0.150 [3.81] THRU HOLE (REQUIRES Ø0.158±0.003 [4.01±0.08] THRU HOLE IN PCB).
MOUNTING FOOT THICKNESS 0.160 [4.06]

⑨. MANUFACTURER'S NAME, P/N AND DATE CODE TO APPEAR ON THIS SURFACE.

10. THE MAXIMUM OVERALL LENGTH (DIM A) OF A PART IS 8.00 [203.2]

11. PRODUCT SPECIFICATION GS-12-149 APPLICATION SPECIFICATION BUS-20-067

⑫ REFERENCE 51698 FOR SELECT LOAD/FMLB WORKSHEET. SEE PRODUCT SPECIFIC DRAWING 51772-YYY FOR SELECT LOAD/FMLB PRODUCT INFORMATION.

PCB NOTES:

13. ALL DIMENSIONS ARE BASIC UNLESS OTHERWISE SPECIFIED.

14. ALL THROUGH HOLES ARE LOCATED WITH A TRUE POSITION OF 0.004 [0.10]

15. ALL HOLE DIAMETERS ARE FINISHED HOLE SIZE.

16. Ø0.098 [2.49] THROUGH HOLES ARE UNPLATED.

17. Ø0.0453±0.0010 [1.151±0.025] DRILLED HOLES PLATED WITH 0.0003 [0.008] MIN SnPb OVER 0.001 [0.03] TO 0.003 [0.08] Cu PLATING TO ACHIEVE A Ø0.040±0.003 [1.02±0.08] HOLE.

⑬. LENGTH FORMULA VARIABLES
CCC = NUMBER OF SIGNAL CONTACTS
DD = NUMBER OF RIGHT SIDE POWER CONTACTS

CONFIDENTIAL

mat'l code		NOTE 2		tolerances unless otherwise specified		CUSTOMER		FCI		www.fciconnect.com	
lfr	ecn no.	dr	date	linear	.XX±.01/0.X±0.3	COPY			title: R/A RECEPTACLE W/GUIDE PIN POWER / SIGNAL SPECIAL		
C				angles	.XXX±.005/0.XX±0.13	INCH/MM			product family PwrBlade		code 213
				dr	.XXX±.0020/0.XXX±.051	scale 1:1			size dwg no		sheet 2 of 3
				engr	J. SHAFFER 11-20-00			A 51772-001			
				chr	J. DODDS 11-15-00						
				appd	J. DODDS 11-20-00						
sheet index	revision sheet										

1 | 2

Pro/E

3 |

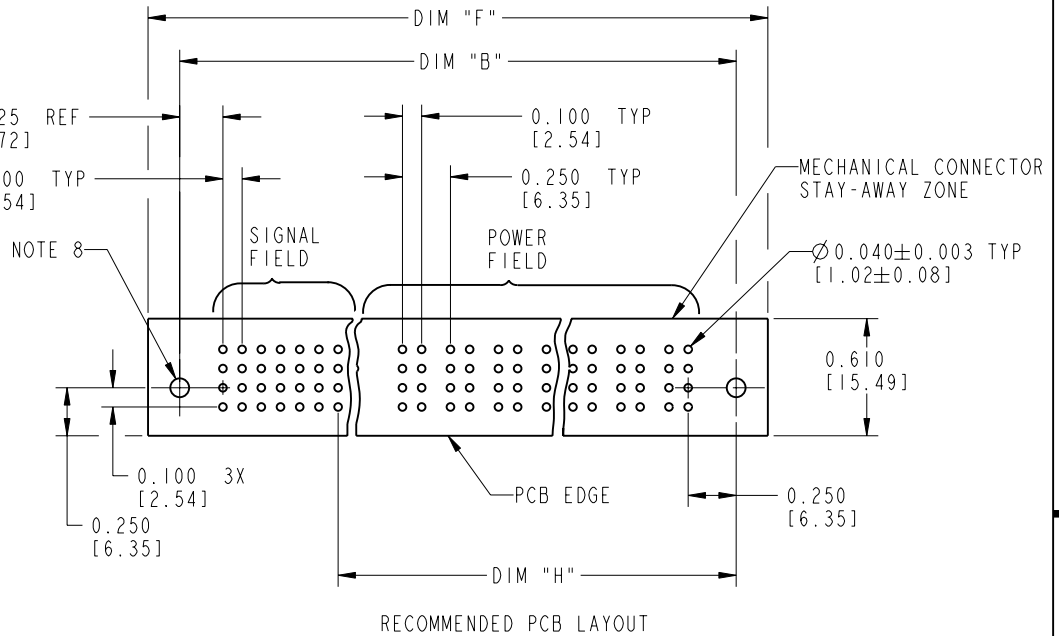
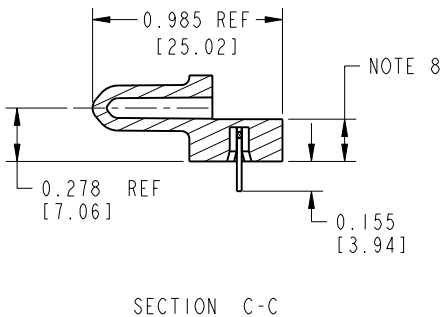
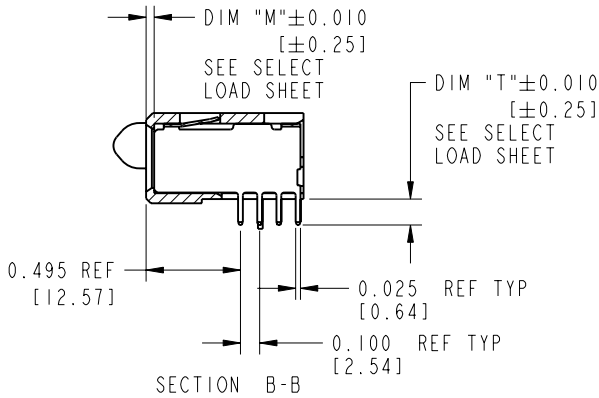
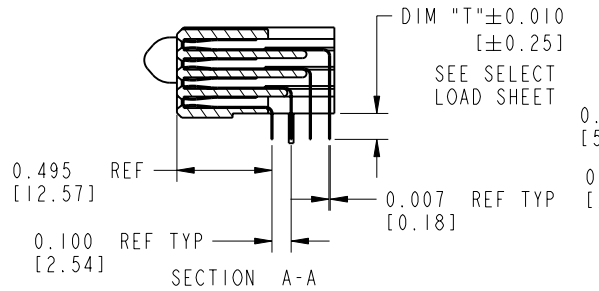
coge code 22526

4

Tous droits strictement réservés. Reproduction ou communication o des liens interdite sous quelque forme que ce soit sans autorisation écrite du propriétaire. Propriété de c FCI. Droits de reproduction FCI.

All rights strictly reserved. Reproduction or issue to third parties in any form, whatever is not permitted without written authority from the proprietor. Property of FCI. Copyright FCI.

PRODUCT NUMBER
51772-YYY



CONFIDENTIAL

mat'l code		NOTE 2		tolerances unless otherwise specified		CUSTOMER		 www.fciconnect.com	
ltr	ecn no.	dr	date	linear	.XX ± .01 / 0.X ± 0.3	COPY		title: R/A RECEPTACLE W/GUIDE PIN POWER / SIGNAL SPECIAL	
C				angles	.XXX ± .005 / 0.XX ± 0.13 .XXX ± .0020 / 0.XXX ± .051 0° ± 2°	 INCH/MM		product family: PwrBlade code: 213	
				dr	J. SHAFFER 11-20-00	scale: 1:1		size: A 51772-001 sheet: 3 of 3	
				engr	J. DODDS 11-15-00				
				chr	J. DODDS 11-20-00				
				appd	J. DODDS 11-20-00				
sheet index	revision sheet							coge code: 22526	

Pro/E

3

coge code 22526

4

PDM: Rev:C

STATUS: Released

Printed: Dec 20, 2010