



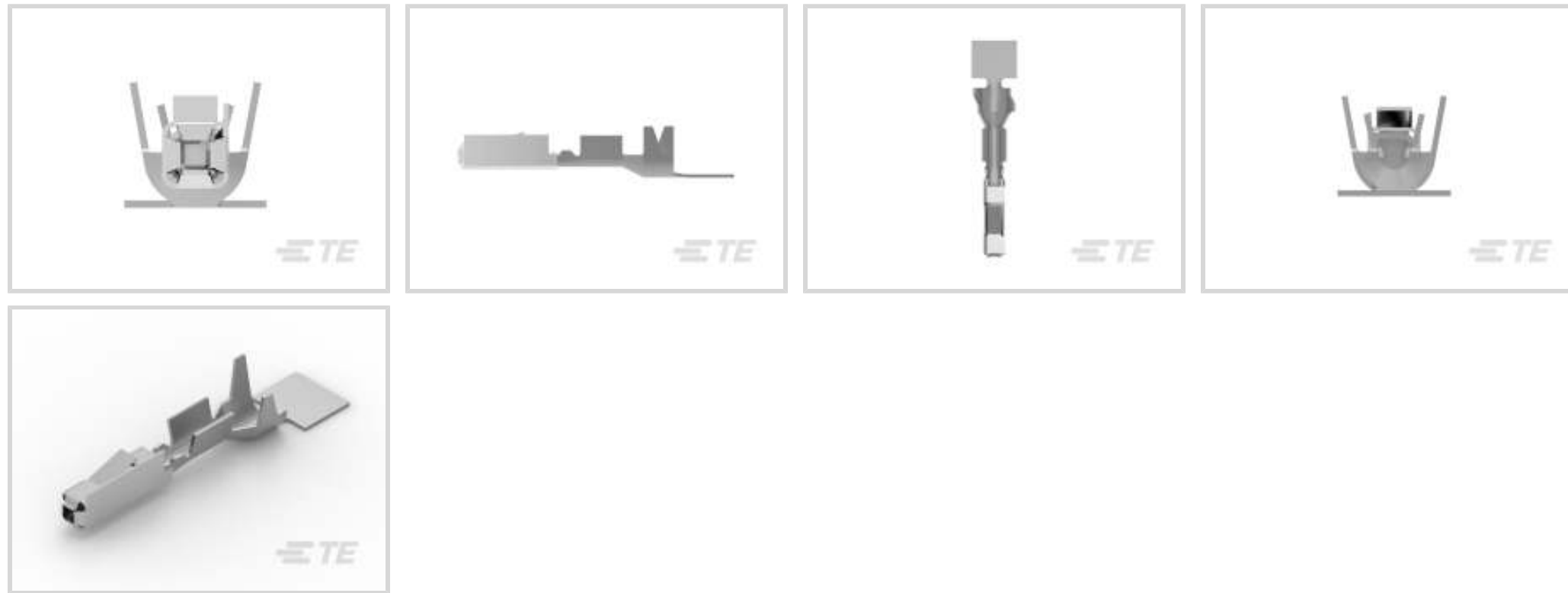
**MQS**

TE Internal #: 5-965906-1

Automotive Terminals, Receptacle, Mating Tab Width .63 mm [.025 in], Tab Thickness .63 mm [.025 in], 20 – 18 AWG Wire Size, MQS

[View on TE.com >](#)

Terminals & Splices > Automotive Terminals > MQS, RECEPTACLE AND TAB



Terminal Type: **Receptacle**

Mating Tab Width: **.63 mm [.025 in]**

Mating Tab Thickness: **.63 mm [.025 in]**

Terminal Transmits: **0 – 24 A (Low Power)**

Wire Size: **20 – 18 AWG**

[All MQS, RECEPTACLE AND TAB \(126\)](#)

**Features**

**Product Type Features**

|                         |               |
|-------------------------|---------------|
| Receptacle Style        | 180°          |
| Sealable                | Yes           |
| Primary Locking Feature | Locking Lance |

**Body Features**

|                    |                        |
|--------------------|------------------------|
| Terminal Seal Type | Single Wire Seal (SWS) |
|--------------------|------------------------|

**Contact Features**

|  |                  |
|--|------------------|
| Contact Size                                   | .63mm            |
| Contact Fabrication                            | Stamped & Formed |
| Wire Contact Termination Area Plating Material | Tin              |
| Typical Current Rating                         | 7.5 A            |
| Crimp Type                                     | F-Crimp          |
| Terminal Type                                  | Receptacle       |
| Mating Tab Width                               | .63 mm[.025 in]  |



|                      |                  |
|----------------------|------------------|
| Mating Tab Thickness | .63 mm [.025 in] |
|----------------------|------------------|

|                   |          |
|-------------------|----------|
| Interface Plating | Tin (Sn) |
|-------------------|----------|

### Termination Features

|                                    |       |
|------------------------------------|-------|
| Termination Method to Wire & Cable | Crimp |
|------------------------------------|-------|

|                       |      |
|-----------------------|------|
| Product Terminates To | Wire |
|-----------------------|------|

### Dimensions

|                                      |                               |
|--------------------------------------|-------------------------------|
| Compatible Insulation Diameter Range | 1.3 – 1.9 mm [.051 – .074 in] |
|--------------------------------------|-------------------------------|

|           |                          |
|-----------|--------------------------|
| Wire Size | .5 – .75 mm <sup>2</sup> |
|-----------|--------------------------|

|                  |                        |
|------------------|------------------------|
| Wire Size Search | 18 AWG, 19 AWG, 20 AWG |
|------------------|------------------------|

### Usage Conditions

|                   |             |
|-------------------|-------------|
| Insulation Option | Uninsulated |
|-------------------|-------------|

|                             |  |
|-----------------------------|--|
| Operating Temperature (Max) | 80 °C, 85 °C, 90 °C, 100 °C, 105 °C, 110 °C,<br>120 °C [176 °F] [185 °F] [194 °F] [212 °F] [221 °F]<br>[230 °F] [248 °F] |
|-----------------------------|--|

|                             |                             |
|-----------------------------|-----------------------------|
| Operating Temperature Range | -40 – 120 °C [-40 – 248 °F] |
|-----------------------------|-----------------------------|

### Operation/Application

|                                    |        |
|------------------------------------|--------|
| Compatible With Wire Base Material | Copper |
|------------------------------------|--------|

### Industry Standards

|                 |       |
|-----------------|-------|
| Agency/Standard | LV214 |
|-----------------|-------|

### Packaging Features

|                    |      |
|--------------------|------|
| Packaging Quantity | 9000 |
|--------------------|------|

|                  |      |
|------------------|------|
| Packaging Method | Reel |
|------------------|------|

### Other

|                    |                      |
|--------------------|----------------------|
| Terminal Transmits | 0 – 24 A (Low Power) |
|--------------------|----------------------|

### Product Compliance

[For compliance documentation, visit the product page on TE.com>](#)

|                              |           |
|------------------------------|-----------|
| EU RoHS Directive 2011/65/EU | Compliant |
|------------------------------|-----------|

|                             |           |
|-----------------------------|-----------|
| EU ELV Directive 2000/53/EC | Compliant |
|-----------------------------|-----------|

|   |   |
|---|---|
| China RoHS 2 Directive MIIT Order No 32, 2016 | No Restricted Materials Above Threshold |
|---|---|

|  |   |
|--|---|
| EU REACH Regulation (EC) No. 1907/2006 | Current ECHA Candidate List: JUNE 2023<br>(235)<br>Candidate List Declared Against: JAN 2023<br>(233) |
|--|---|



Does not contain REACH SVHC

Halogen Content

Low Halogen - Br, Cl, F, I < 900 ppm per homogenous material. Also BFR/CFR/PVC Free

Solder Process Capability

Not reviewed for solder process capability

Product Compliance Disclaimer

This information is provided based on reasonable inquiry of our suppliers and represents our current actual knowledge based on the information they provided. This information is subject to change. The part numbers that TE has identified as EU RoHS compliant have a maximum concentration of 0.1% by weight in homogenous materials for lead, hexavalent chromium, mercury, PBB, PBDE, DBP, BBP, DEHP, DIBP, and 0.01% for cadmium, or qualify for an exemption to these limits as defined in the Annexes of Directive 2011/65/EU (RoHS2). Finished electrical and electronic equipment products will be CE marked as required by Directive 2011/65/EU. Components may not be CE marked. Additionally, the part numbers that TE has identified as EU ELV compliant have a maximum concentration of 0.1% by weight in homogenous materials for lead, hexavalent chromium, and mercury, and 0.01% for cadmium, or qualify for an exemption to these limits as defined in the Annexes of Directive 2000/53/EC (ELV). Regarding the REACH Regulation, the information TE provides on SVHC in articles for this part number is based on the latest European Chemicals Agency (ECHA) 'Guidance on requirements for substances in articles' posted at this URL: <https://echa.europa.eu/guidance-documents/guidance-on-reach>

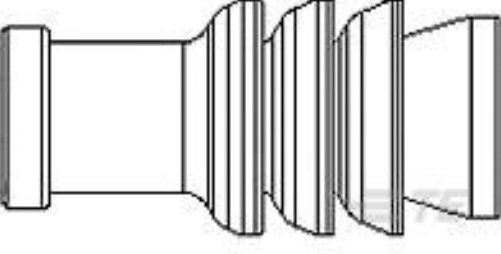
## Compatible Parts



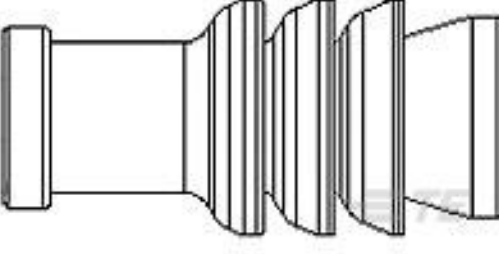
TE Part # CAT-M8793-CH8172  
MQS, CONNECTOR HOUSING



TE Part # 6-1579007-1  
EXTRACTION TOOL



TE Part # 963142-1  
MQS SINGLE-WIRE SEAL FOR 4MM



TE Part # 967067-1  
MQS SGL WIRE SEAL



TE Part # 2305570-1  
Strip Terminal Cutter-Side Feed-No Crimp



TE Part # 1-967658-1  
8pos MQS .63 header 90deg



TE Part # 4-368213-7  
AIR BAG 50P HDR ASSY C-BLU/PL



TE Part # 1-967067-1  
MQS SGL WIRE SEAL



TE Part # 2-2151038-1  
OCEAN\_2.0-APPLICATOR-S-055F1140



TE Part # 2-2151038-2  
OCEAN\_2.0-APPLICATOR-S-055F1140



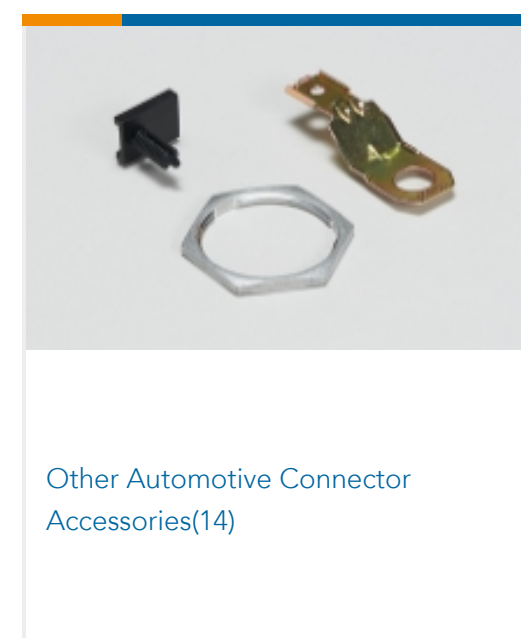
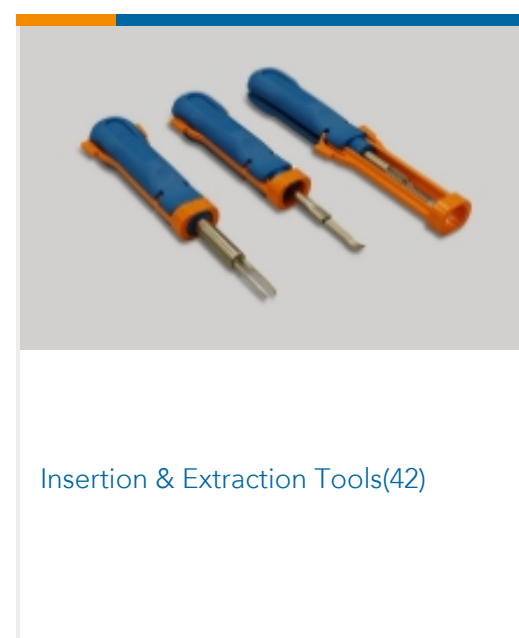
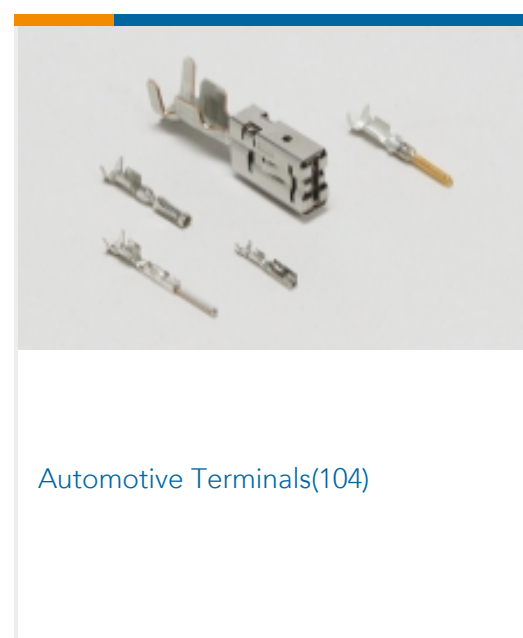
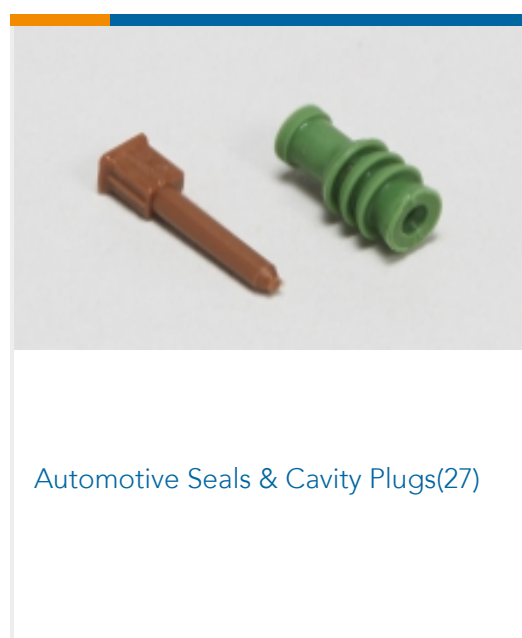
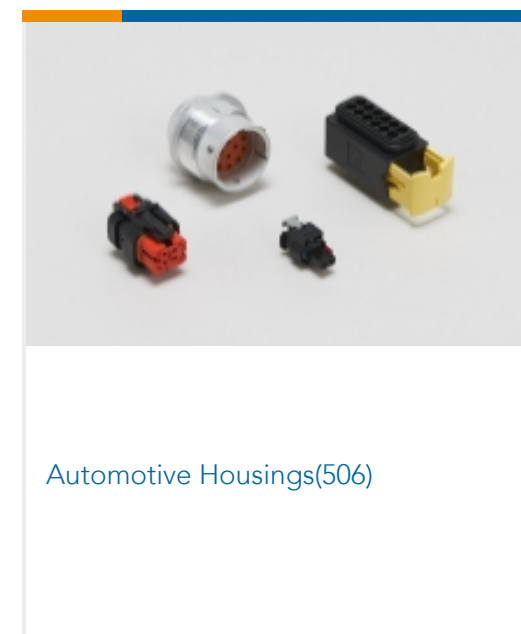
TE Part # 2063530-1  
SDE MQS 0.5-0.75mm2 ASSY



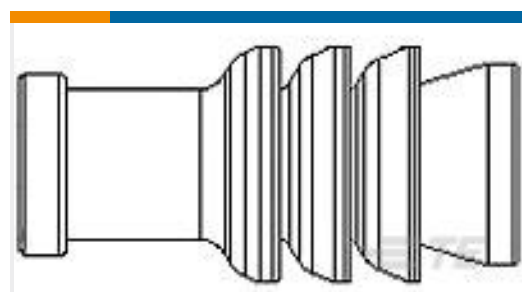
TE Part # 2063530-2  
SDE MQS 0.5-0.75mm2 DIE SET



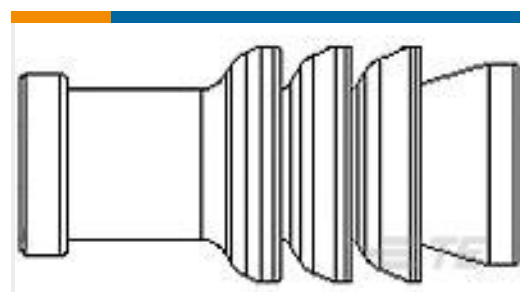
Also in the Series | **MQS**



Customers Also Bought



TE Part #967067-1  
MQS SGL WIRE SEAL



TE Part #967067-2  
MQS EINZELLEITDICHT



TE Part #1534334-1  
AMP MCP 1.5K, CONTACT



TE Part #1719059-1  
32POS MQS REC



TE Part #7-1452668-2  
MCON Receptacle and Tab



TE Part #5-1241608-1  
MQS1,5 Sn rec CB unseal. 0,75-1,5



TE Part #8-1722380-4  
ANVIL

## Documents

### Product Drawings

[MQS0,63 Sn rec LL EDS 0,5-0,75](#)

English

### CAD Files

Customer View Model

[ENG\\_CVM\\_CVM\\_5-965906-1\\_D.2d\\_dxf.zip](#)

English

3D PDF

3D

Customer View Model

[ENG\\_CVM\\_CVM\\_5-965906-1\\_D.3d\\_igs.zip](#)

English

Customer View Model

[ENG\\_CVM\\_CVM\\_5-965906-1\\_D.3d\\_stp.zip](#)

English

By downloading the CAD file I accept and agree to the [Terms and Conditions](#) of use.

### Datasheets & Catalog Pages

[Micro Quadlok Interconnection System \(MQS\)](#)

English

### Product Specifications

[Application Specification](#)

German

[Application Specification](#)

English



### Application Specification

English

---

### Agency Approvals

Agency Approval Document

English