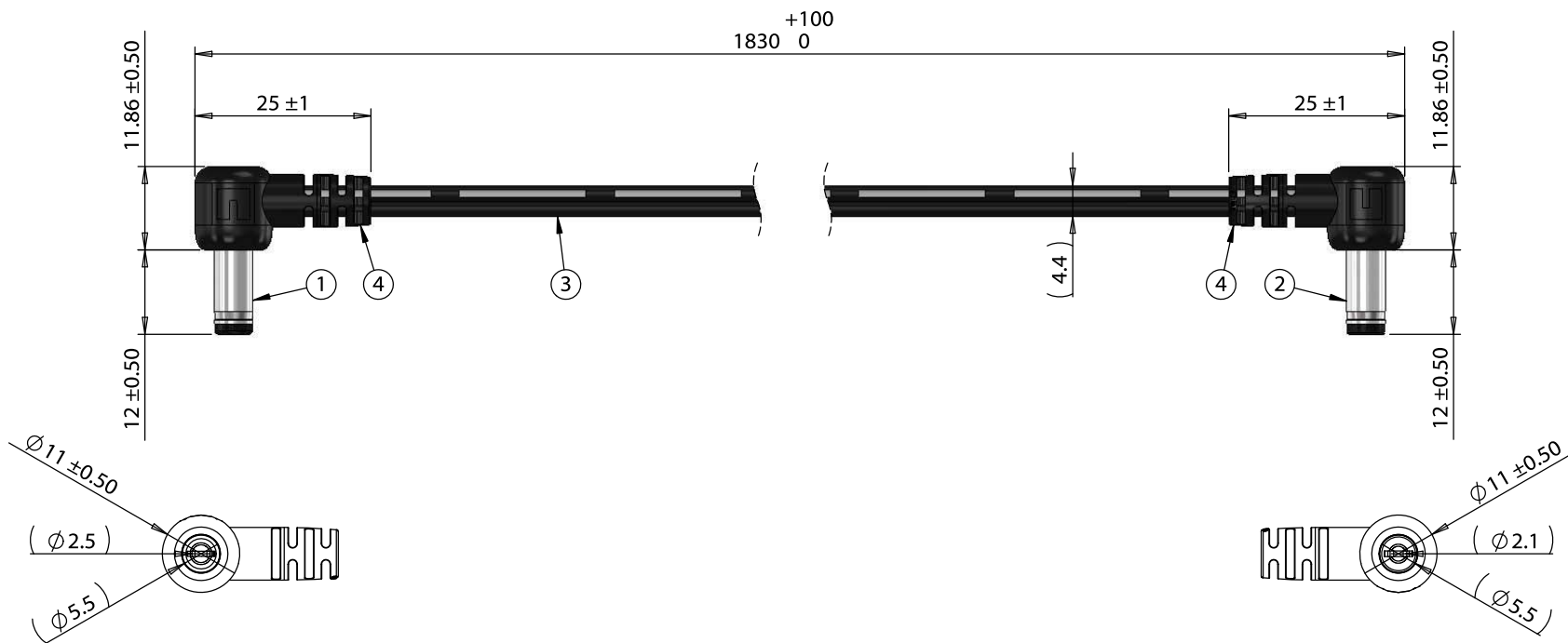


ITEM NO.	PART NUMBER	DESCRIPTION	QTY.	COMPONENT NOTES
1	50-00187	Connector, dc plug, 5.5x2.5xL20.5 mm, molding style, spring contacts	1	
2	50-00186	Connector, dc plug, 5.5x2.1xL20.5 mm, molding style, spring contacts	1	
3	30-00395	Wire, 2C TS, 18 AWG, UL2468, 300V, 80C, 4.4 mm, VW-1, PVC, 87A	1	
4	24-00006	Overmold, PVC	2	black



Notes:
Functionally equivalent components may be substituted

Wiring Diagram		
50-00187	wire color	50-00186
center	black with stripe	center
sleeve	black	sleeve

Revision:	Date:	Description:	Prepared:	Notes:	<h1>TENSILITY</h1> <p>tel 1.541.323.3228 800 877.670.7118 fax 1.541.323.4202 web tensility.com</p>				
A	01/18/2018	Initial release	GL <small>Digitally signed by GL Date: 2018.01.18 13:53:30 -08'00'</small>			RoHS compliant			
			Verified:	Function test: no open, no short circuit, no intermittent	<table border="1"> <tr> <td>Size:</td> <td>Part number:</td> </tr> <tr> <td>A</td> <td>10-02576</td> </tr> </table>	Size:	Part number:	A	10-02576
Size:	Part number:								
A	10-02576								
			Dimensions are in millimeters. Tolerances: X: ± 0.5 mm X.X: ± 0.3 mm X.XX: ± 0.05 mm	Description: Cable, 1830 mm, 5.5x2.5x12 mm 90° 50-00187 dc plug to 5.5x2.1x12 mm 90° 50-00186 dc plug, 18 AWG	<table border="1"> <tr> <td>Scale:</td> <td>1:1</td> <td></td> <td>Sheet 1 of 1</td> </tr> </table>	Scale:	1:1		Sheet 1 of 1
Scale:	1:1		Sheet 1 of 1						

5

4

3

2

1