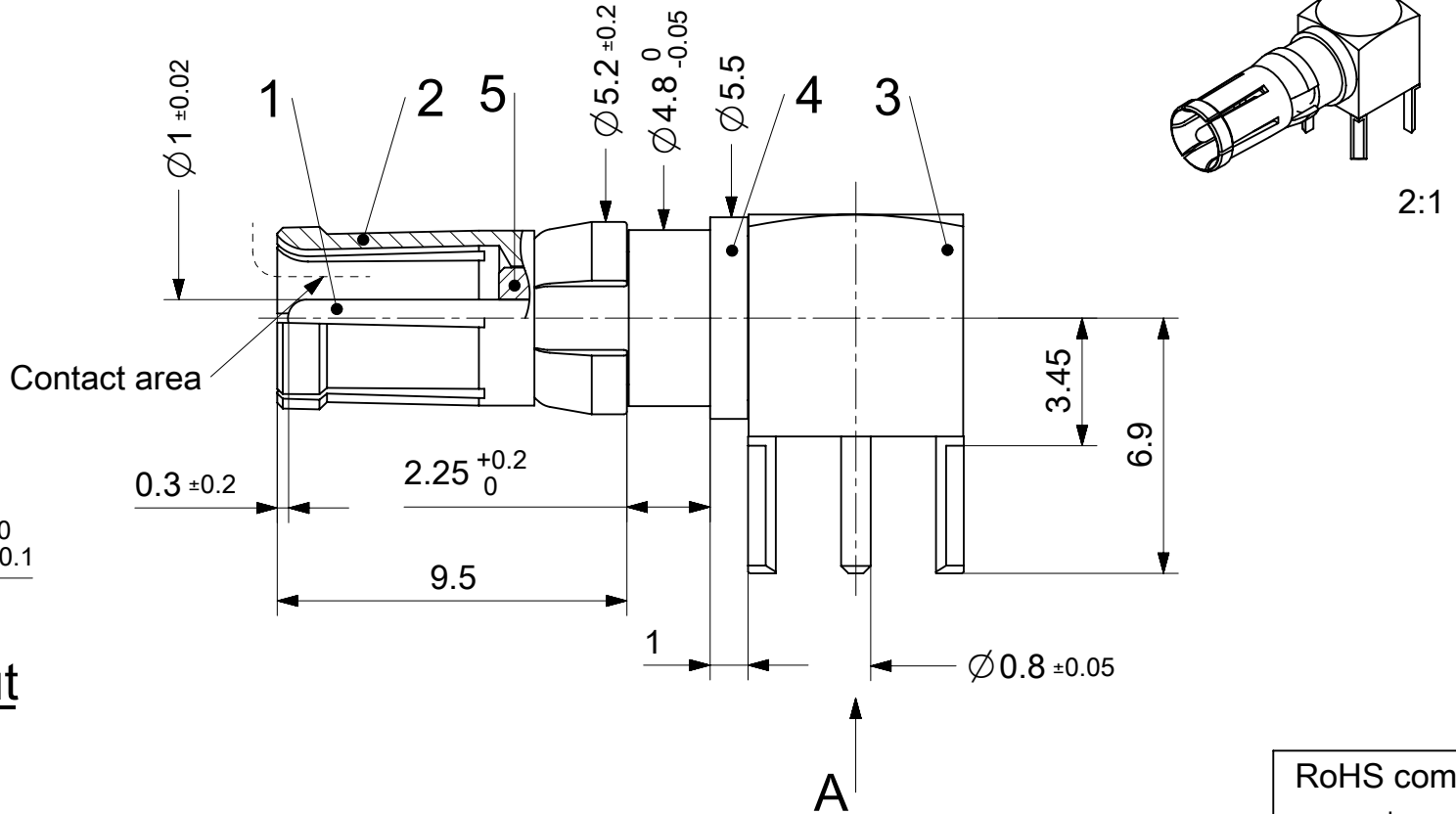
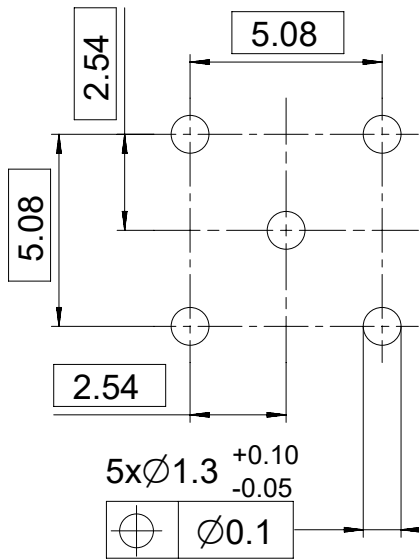


PCB-LAYOUT



RoHS compliant
by exemption

1731120197	FME009S102	102
Material Number	FCT Part Number	Material + Finish See extra sheet

UNLESS OTHERWISE SPECIFIED DIMENSIONS FOR REFERENCE ONLY				REPLACEMENT FOR DOCUMENT NUMBER: FME009S			
THIS DRAWING CONTAINS INFORMATION THAT IS PROPRIETARY TO MOLEX ELECTRONIC TECHNOLOGIES, LLC AND SHOULD NOT BE USED WITHOUT WRITTEN PERMISSION							
FUNCTIONAL SYMBOLS	DIMENSION UNITS	SCALE	CURRENT REV DESC:				
$\frac{F}{A} = 0$	mm	5:1	EC NO: 714923				
$\frac{F}{E} = 0$	GENERAL TOLERANCES (UNLESS SPECIFIED)		DRWN: MTEUBEL 2022/07/20				
$\frac{F}{P} = 0$	ANGULAR TOL ± °		CHK'D: FVETTER 2022/07/20				
DIVISIONAL SYMBOLS	4 PLACES ±		APPR: FVETTER 2022/07/20				
	3 PLACES ±		INITIAL REVISION:				
	2 PLACES ±		DRWN: VLOKESHA 2021/04/16				
	1 PLACE ±		APPR: FVETTER 2022/06/13				
	0 PLACES ±		DOCUMENT NUMBER		DOC TYPE	DOC PART	REVISION
			1731120197		PSD	000	A1
DRAFT WHERE APPLICABLE MUST REMAIN WITHIN DIMENSIONS	FIRST ANGLE PROJECTION	DRAWING	SERIES	MATERIAL NUMBER	CUSTOMER	SHEET NUMBER	
		A4-SIZE	173112	SEE TABLE	GENERAL MARKET	1 OF 1	

DOCUMENT STATUS	P1	RELEASE DATE	2022/07/20	12:33:23
-----------------	----	--------------	------------	----------