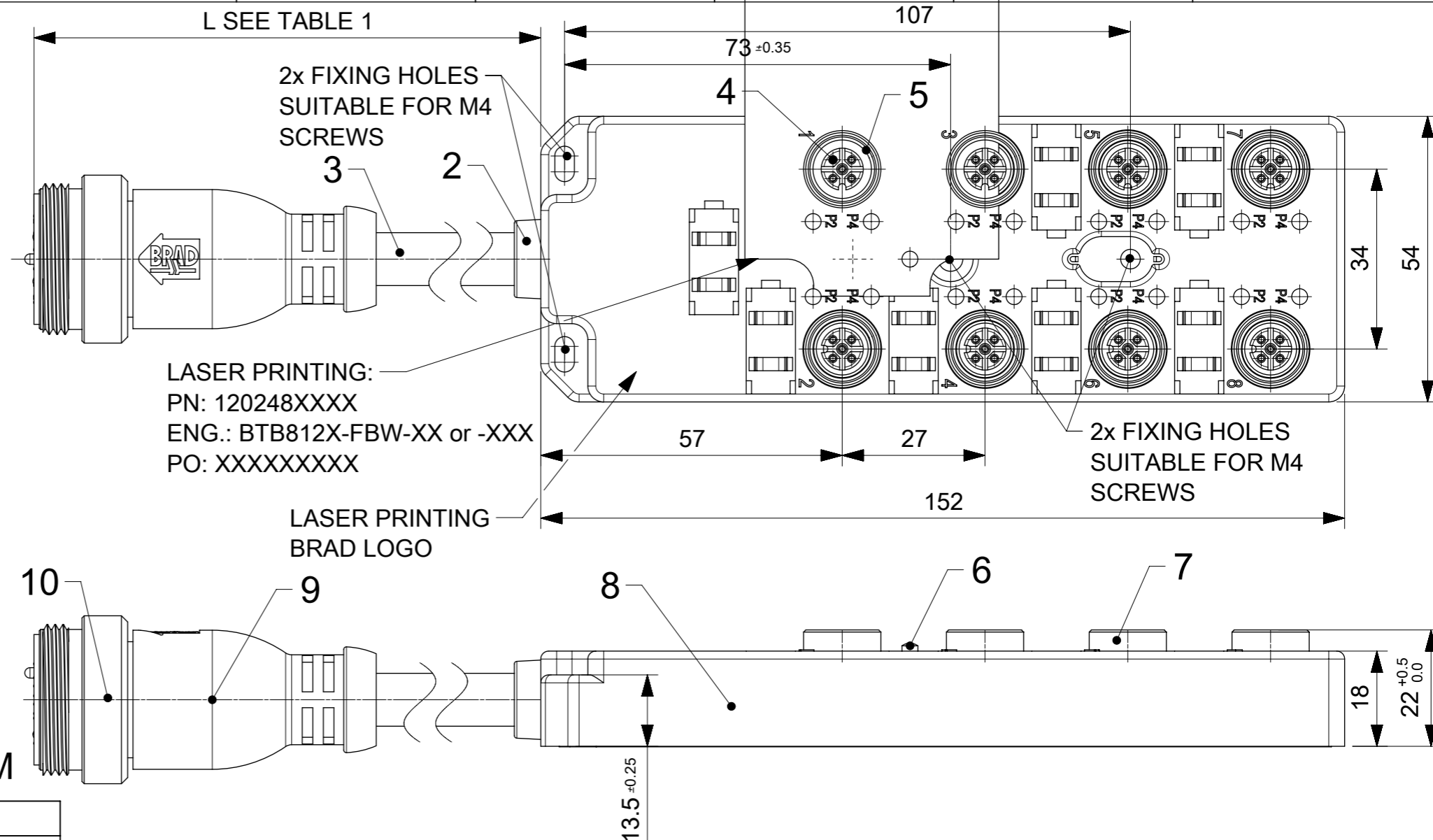
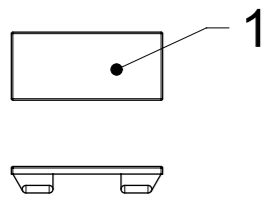


TABLE 1

MOLEX P/N	ENG. NO.	CABLE LENGTH (mm)	LED
1202480088	BTB812P-FBW-003	300	YES
1202480100	BTB812P-FBW-01	1000	YES
1202480101	BTB812P-FBW-05	5000	YES
1202480102	BTB812P-FBW-10	10000	YES
1202480095	BTB812N-FBW-003	300	YES
1202480096	BTB812N-FBW-01	1000	YES
1202480097	BTB812N-FBW-05	5000	YES
1202480098	BTB812N-FBW-10	10000	YES
1202480099	BTB8120-FBW-003	300	NO
1202480092	BTB8120-FBW-01	1000	NO
1202480093	BTB8120-FBW-050	5000	NO
1202480094	BTB8120-FBW-10	10000	NO



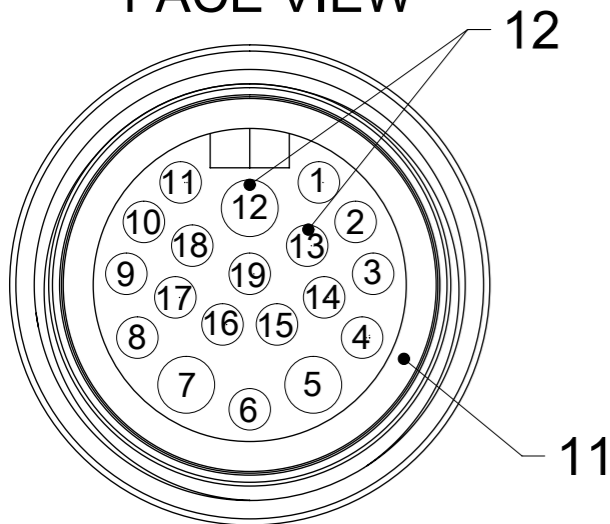
LABEL
9x packed in a bag.



WIRING DIAGRAMM

PIN	COLOR
1	VIOLET
2	RED
3	GREY
4	RED/BLUE
5	BLUE
6	GREEN
7	BROWN
8	WHITE/GREEN
9	WHITE/YELLOW
10	WHITE/GREY
11	BLACK
12	YELLOW/GREEN
13	YELLOW/BROWN
14	BROWN/GREEN
15	WHITE
16	YELLOW
17	PINK
18	GREY/BROWN
19	GREY/PINK

**19 POLE MALE
FACE VIEW**

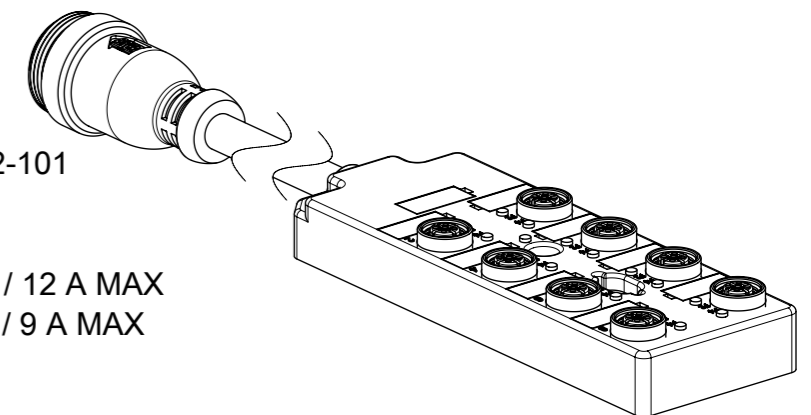


SCALE 2:1

GENERAL CHARACTERISTICS:

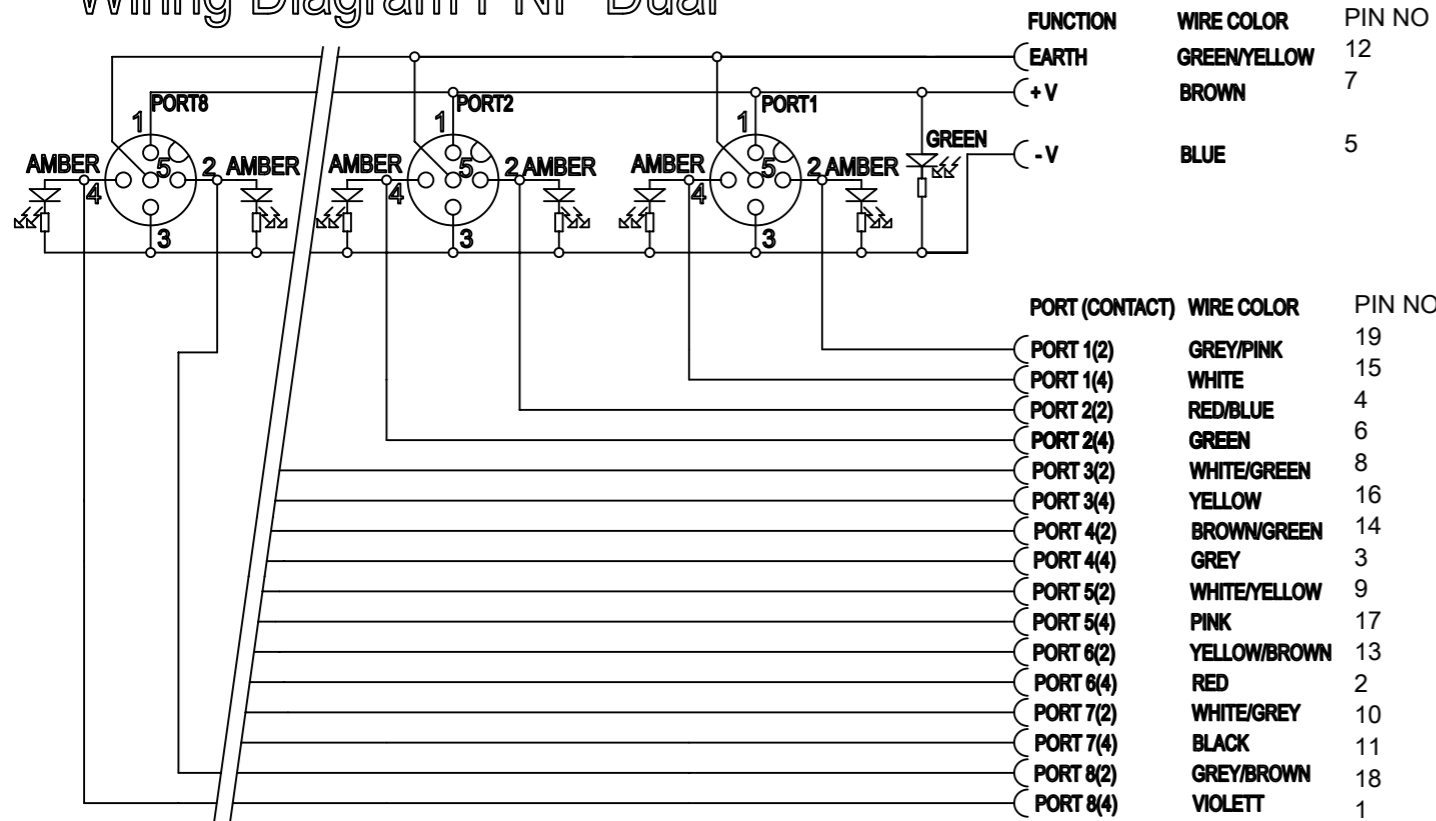
ELECTRICAL AND MECHANICAL DATA ACC. TO IEC 61076-2-101

NOMINAL VOLTAGE: 10-30 V DC
 AMPERE RATING: 4 A PER PORT / 12 A MAX
 AMPERE RATING WITH UL REGISTRATION: 3 A PER PORT / 9 A MAX
 IP DEGREE OF PROTECTION: IP 67
 TEMPERATURE RANGE: -25°C to + 85°C



SYMBOLS	THIS DRAWING CONTAINS INFORMATION THAT IS PROPRIETARY TO MOLEX ELECTRONIC TECHNOLOGIES, LLC AND SHOULD NOT BE USED WITHOUT WRITTEN PERMISSION		CURRENT REV DESC: LASER PRINT EDIT		molex
	DIMENSION UNITS	SCALE			
▽ = 0	mm	1:1			MPIS M12 PNP 5P 8PT AC FE STR XM 19 P MC MA
▽ = 0	GENERAL TOLERANCES (UNLESS SPECIFIED)				
▽ = 0	ANGULAR TOL ± °				PRODUCT CUSTOMER DRAWING
▽ = 0	4 PLACES ±				
▽ = 0	3 PLACES ±			DOCUMENT NUMBER	
▽ = 0	2 PLACES ±				
▽ = 0	1 PLACE ±			1202480088	
▽ = 0	0 PLACES ± 0.25				
■ = 0	DRAFT WHERE APPLICABLE MUST REMAIN WITHIN DIMENSIONS		THIRD ANGLE PROJECTION	DRAWING	SERIES
▽ = 0				A3-SIZE	120248
			MATERIAL NUMBER	CUSTOMER	SHEET NUMBER
			SEE TABLE 1	GENERAL MARKET	1 OF 2

Wiring Diagram PNP Dual



Wiring Diagram NPN Dual

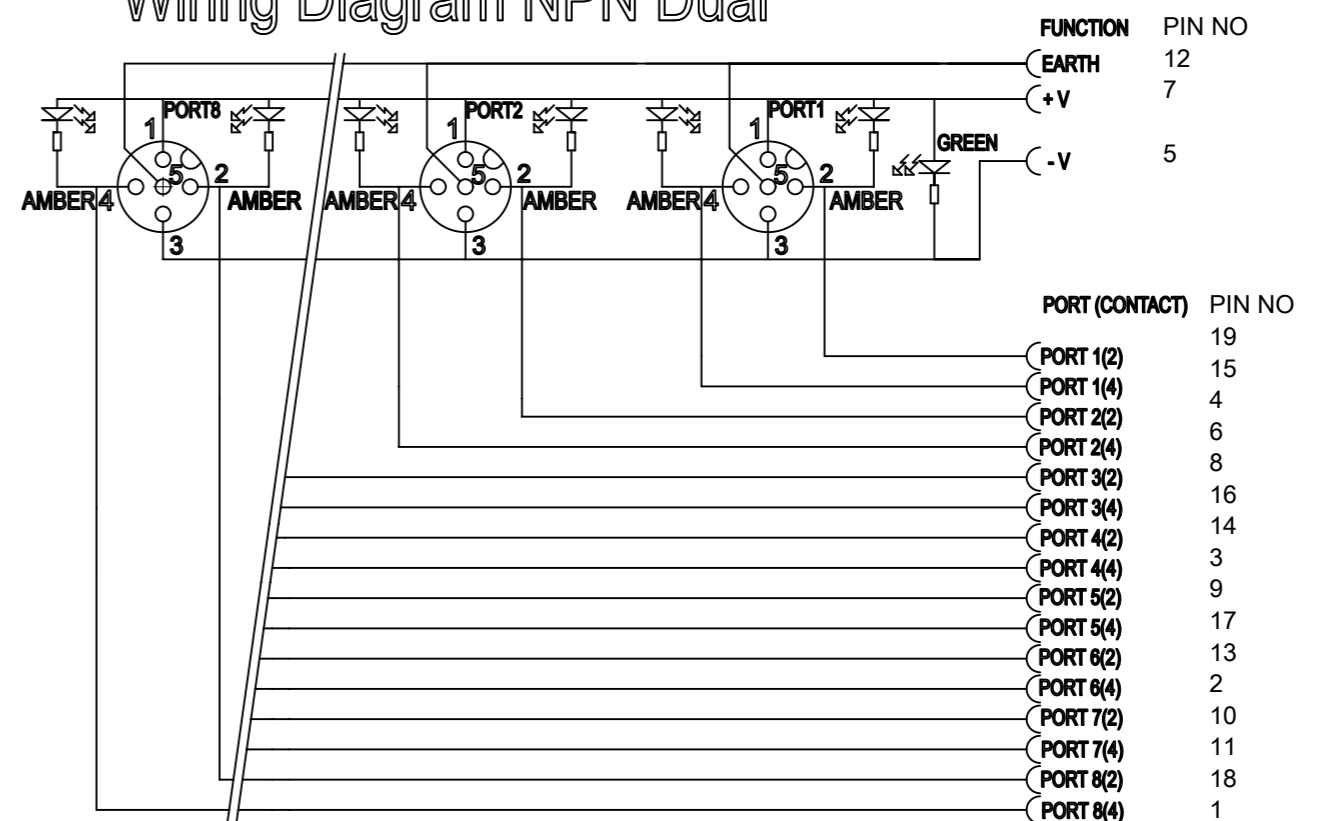
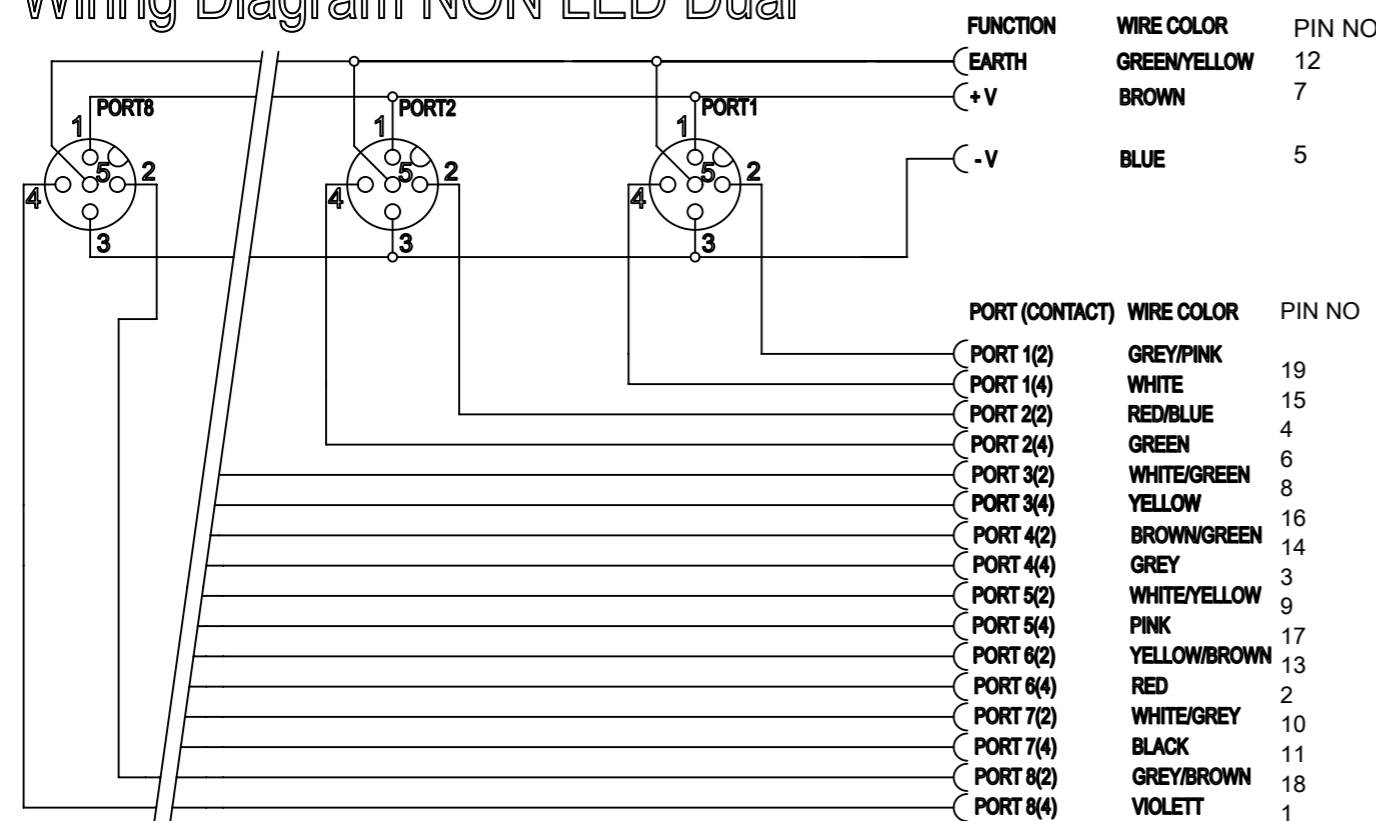


TABLE 2 BILL OF MATERIAL

ITEM	DESCRIPTION	MATERIAL	FINISH
1	LABEL	ABS	WHITE
2	CABLE PLATE	PBT	BLACK
3	CABLE	TPU BASED	BLACK
4	CONTACT	BRASS	GOLD OVER NICKEL
5	O-RING	FPM	RED
6	LED	NO LED = PA	BLACK
		WITH LED = PA	TRANSPARENT
7	SHELL	BRASS	NICKEL PLATED
8	HOUSING	PBT	BLACK
9	OVERMOLDING	PVC	YELLOW
10	COUPLING NUT	ZINC DIE CAST	BLACK
11	INSERT 7 POLE	PVC	BLACK
12	CONTACT	BRASS	GOLD OVER NICKEL

Wiring Diagram NON LED Dual



SYMBOLS	THIS DRAWING CONTAINS INFORMATION THAT IS PROPRIETARY TO MOLEX ELECTRONIC TECHNOLOGIES, LLC AND SHOULD NOT BE USED WITHOUT WRITTEN PERMISSION		CURRENT REV DESC: LASER PRINT EDIT		
	DIMENSION UNITS	SCALE	EC NO: 606042		
▽ = 0	mm	1:1	DRWN: MDHARMANTI	2018/08/30	MPIS M12 PNP 5P 8PT AC FE STR XM 19 P MC MA
▽ = 0	GENERAL TOLERANCES (UNLESS SPECIFIED)		CHK'D: RSILLER	2018/10/18	
▽ = 0	ANGULAR TOL ± °		APPR: RSILLER	2018/10/18	PRODUCT CUSTOMER DRAWING
▽ = 0	4 PLACES ±		INITIAL REVISION:		DOCUMENT NUMBER
▽ = 0	3 PLACES ±		DRWN: ULETTENMEIER	2016/08/18	1202480088
▽ = 0	2 PLACES ±		APPR: RSILLER	2016/09/28	PSD 000 B
▽ = 0	1 PLACE ±		THIRD ANGLE PROJECTION		DRAWING
▽ = 0	0 PLACES ± 0.25		DRAWING		SERIES
■ = 0	DRAFT WHERE APPLICABLE MUST REMAIN WITHIN DIMENSIONS		A3-SIZE		120248
▽ = 0			MATERIAL NUMBER		CUSTOMER
				SEE TABLE 1	
				GENERAL MARKET	
				SHEET NUMBER	
				2 OF 2	