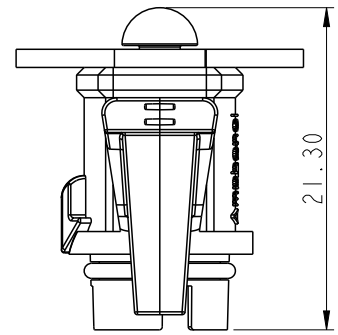
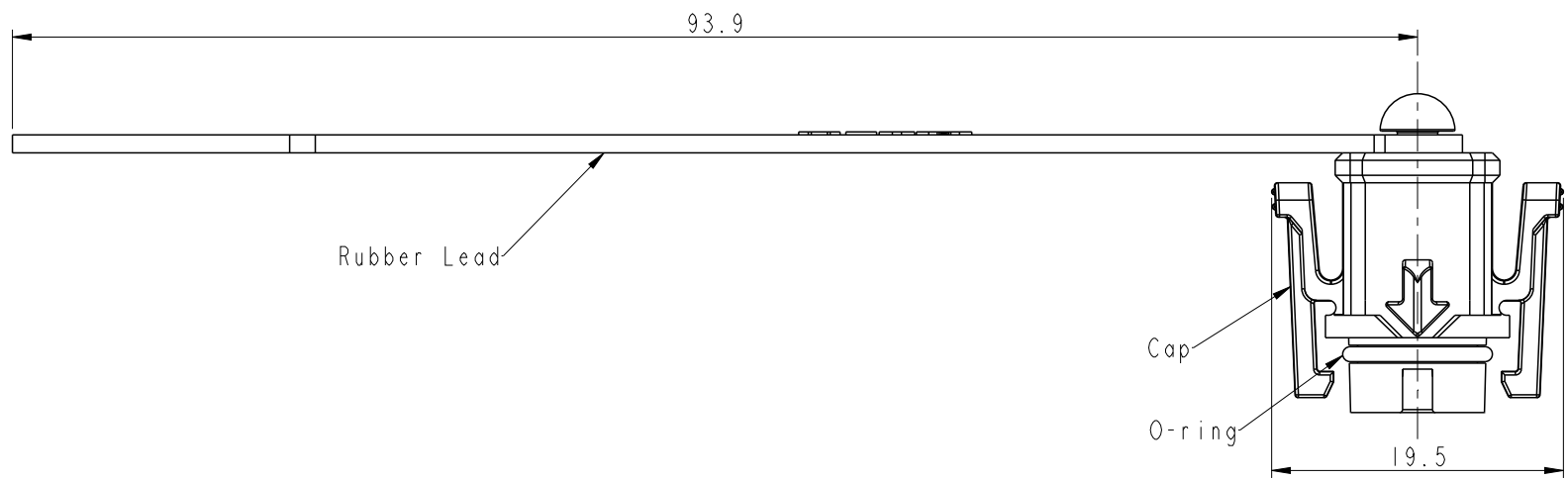


THIS DOCUMENT IS SUBJECT TO CHANGE WITHOUT NOTICE. IT IS CONFIDENTIAL AND A PROPERTY OF AMPHENOL LTW. DISCLOSURE TO THIRD PARTY HAS TO BE AUTHORIZED BY AMPHENOL LTW.

REV.	DESCRIPTION
A	01版轉A版



- Note:
- * Cap:Thermoplastic
 - * O-ring:Rubber
 - * Rubber Lead:Rubber

UNIT:mm		
TOLERANCE ±0.5		

TITLE X-Lok A-Size Waterproof Cap For Receptacle Male Conn.			
SCALE 2:1	SIZE A4	SHEET 1 OF 1	
REV. A	WC-REV. A.5	☉: Inspection item	

Amphenol LTW
安費諾亮泰企業股份有限公司

ITEM NO CAP-WAAMQPC1	DRAWN BY Gill Lai	DATE 2019/09/11
DWG NO CAP-WAAMQPC1	CHECKED BY Sam Ho	DATE 2019/09/11
CUSTOMER ALTW	APPROVED BY Fred Lee	DATE 2019/09/11