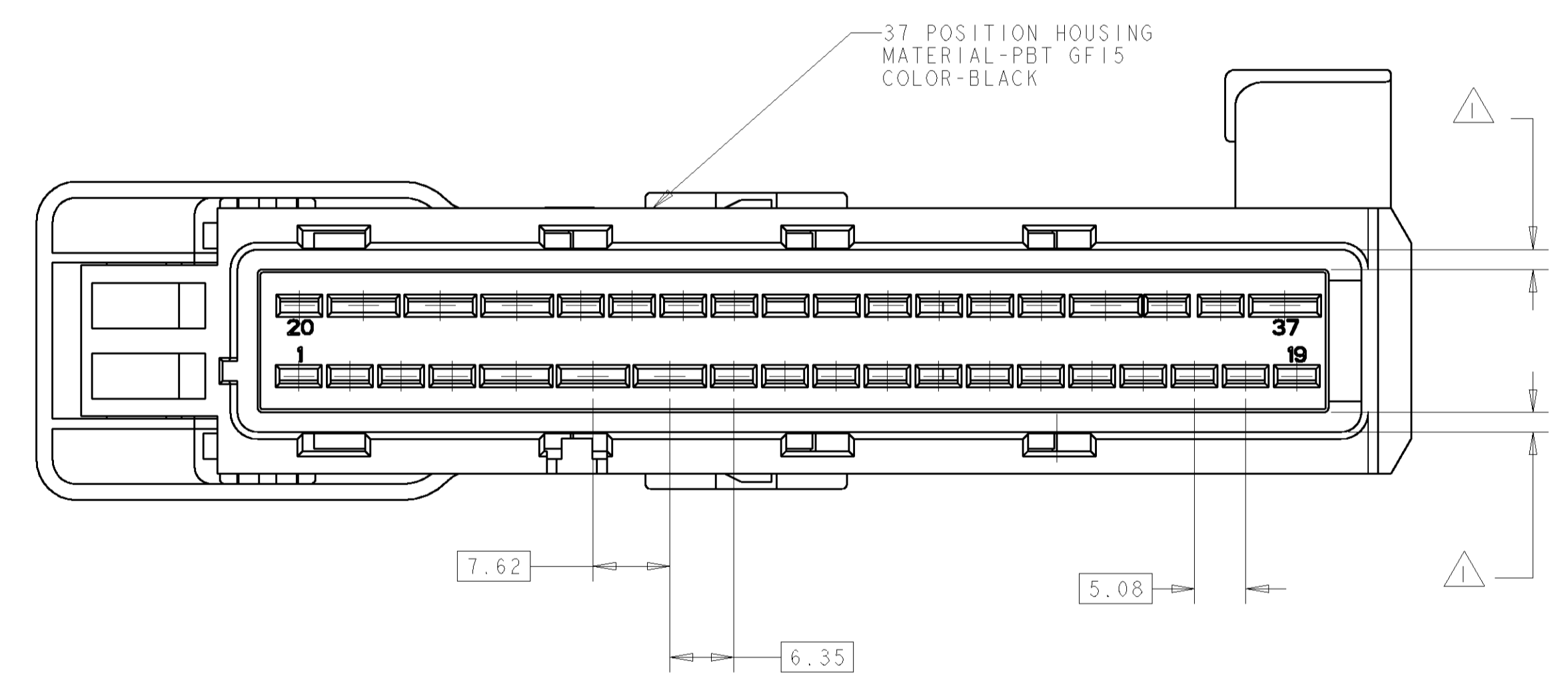
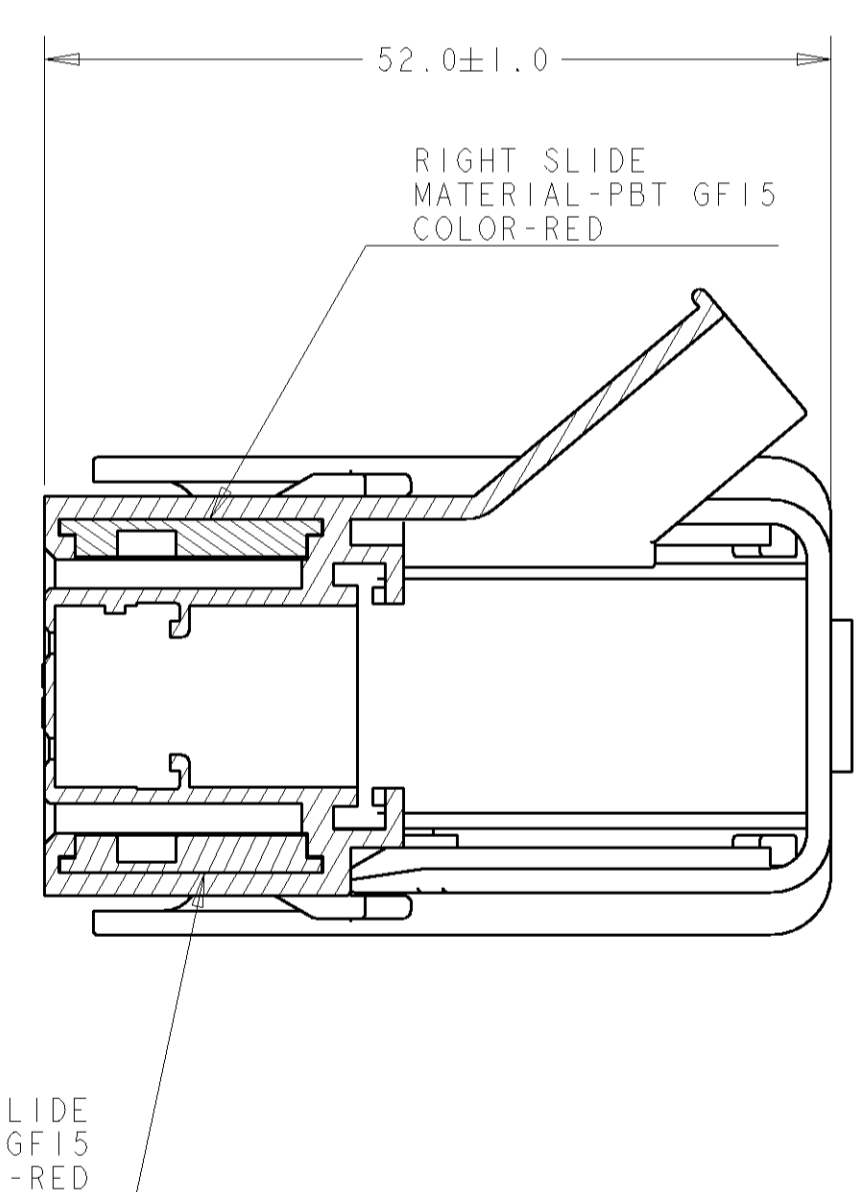
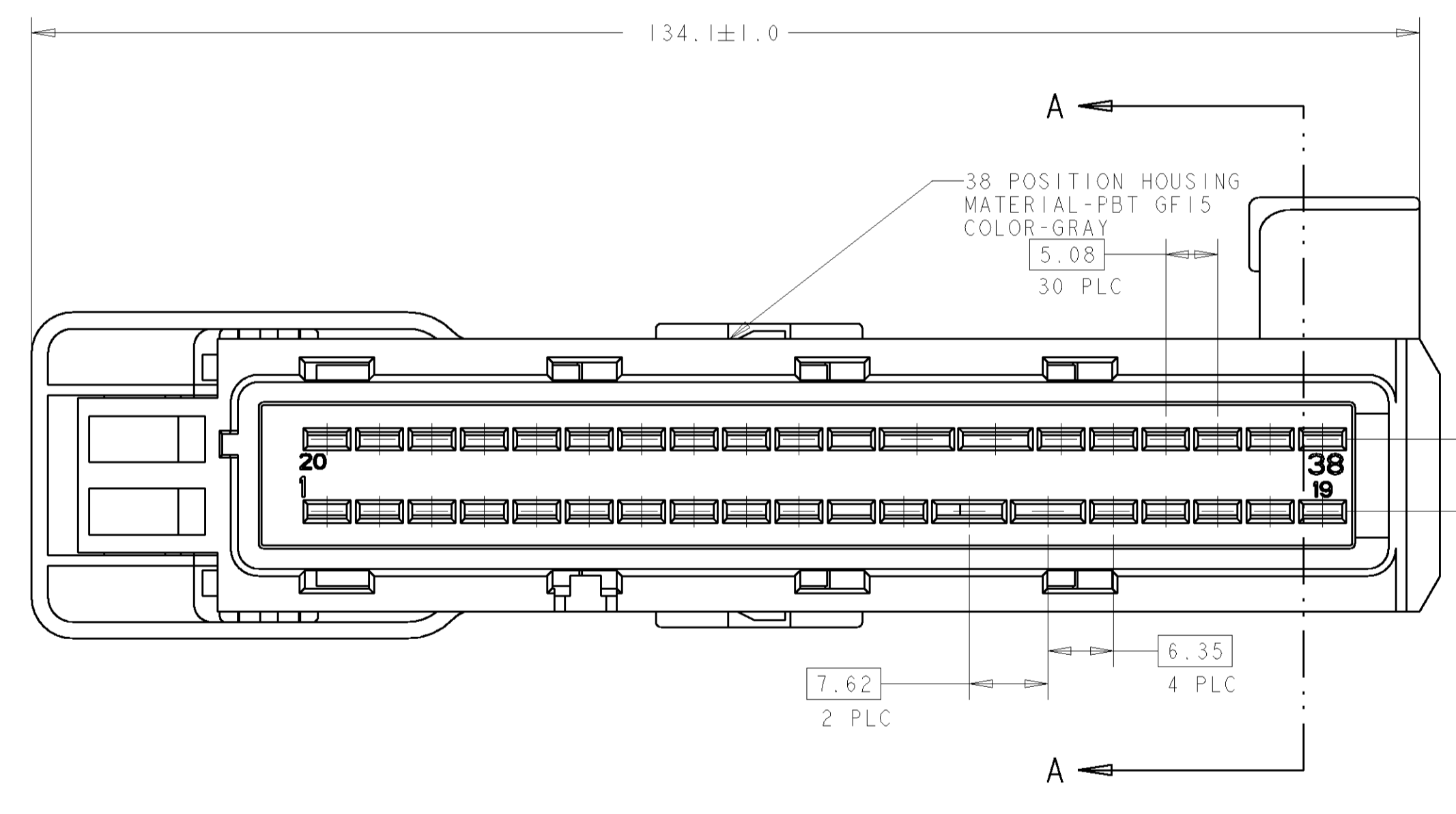
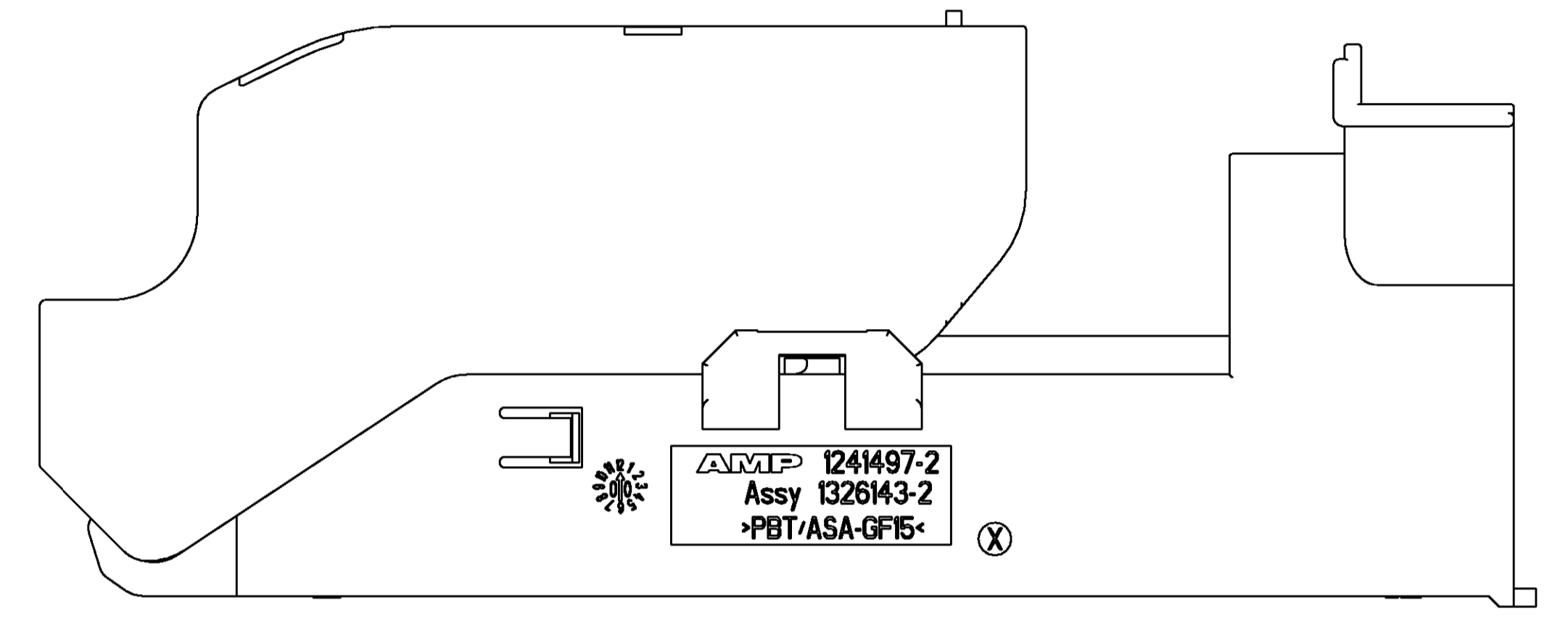
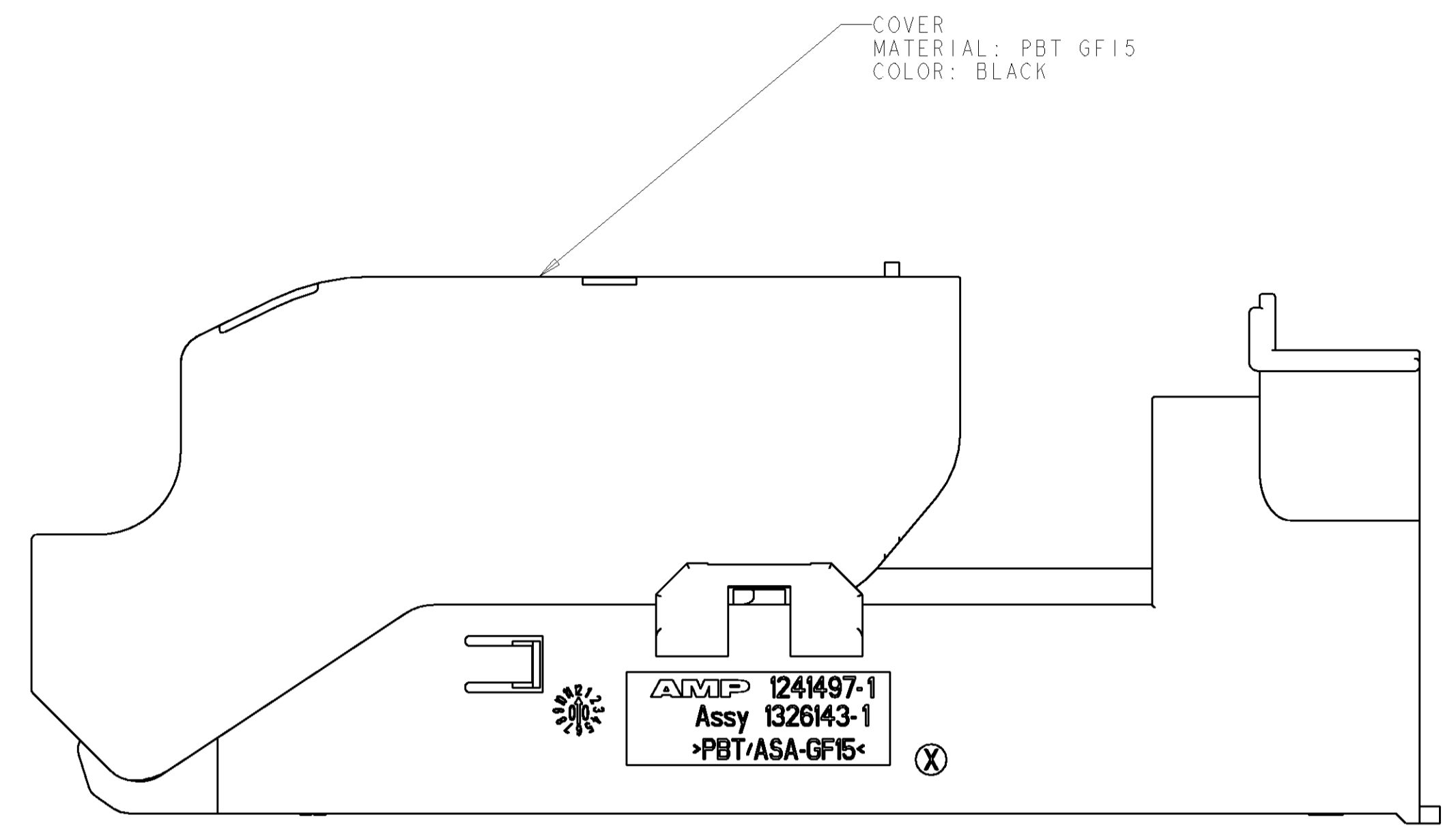


LOC	DIST	REVISIONS			
P	LTR	DESCRIPTION	DATE	DWN	APPD
D		REV PER EC OK40-0527-01	05NOV2001	PPS	PPS
E		REV PER OK40-0669-01	10DEC2001	WH	PPS



1326143-1

1326143-2

△ BOW PERMISSIBLE 1.0 MINIMUM

DIMENSIONS: mm 		TOLERANCES UNLESS OTHERWISE SPECIFIED: 0 PLC ± 1 PLC ±0.2 2 PLC ±0.1 3 PLC ± 4 PLC ± ANGLES ± FINISH		DWN: RUSTY WORTHINGTON (MAY2001) CHK: PAUL SIWINSKI (MAY2001) APPD: PAUL SIWINSKI (MAY2001) NAME: PAUL SIWINSKI PRODUCT SPEC: APPLICATION SPEC: WEIGHT: CUSTOMER DRAWING		Tyco Electronics Harrisburg, PA 17105-3608 NAME: 38/37 POSITION CONNECTOR ASSEMBLY SIZE: A 00779 C=1326143 SCALE: 1:1 SHEET 1 OF 1 REV E	
-----------------------	--	---	--	---	--	--	--