

ENVELOPE / ASSEMBLY DRAWING

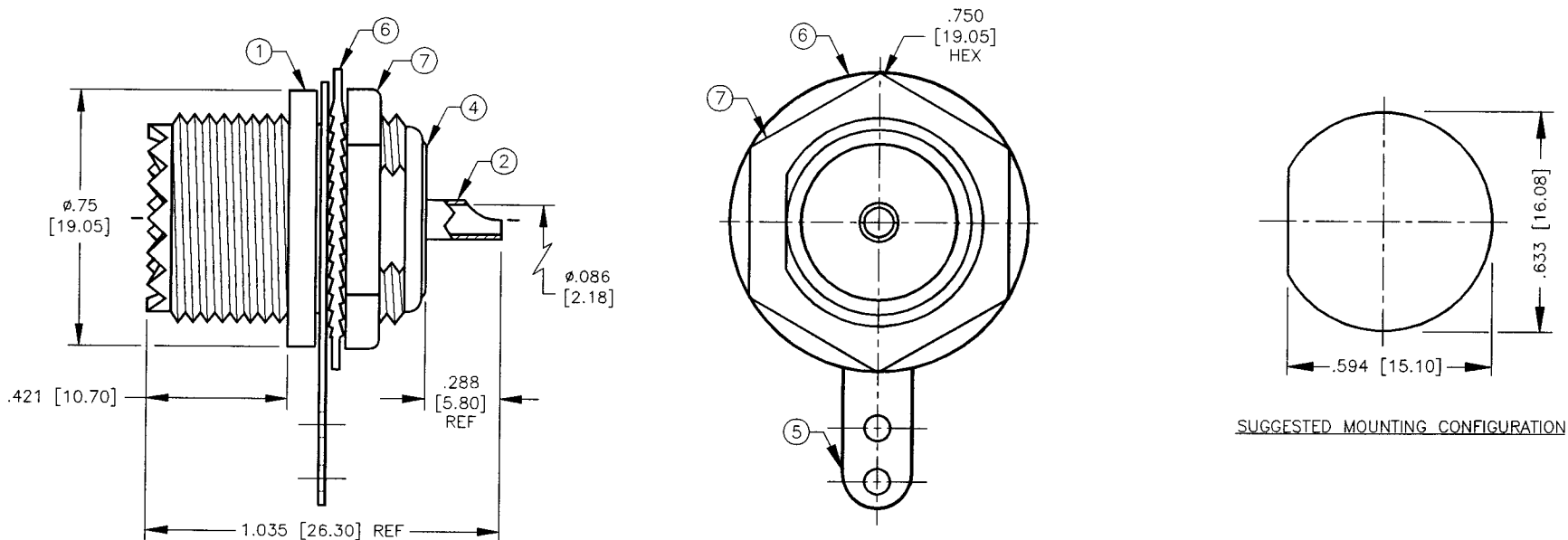
000459

SPECIFICATION CONTROL DRAWING

THIS DRAWING CONTAINS INFORMATION PROPRIETARY TO RF INDUSTRIES, LTD. ANY UNAUTHORIZED USE OF THIS DRAWING IS EXPRESSLY PROHIBITED. ANY VIOLATION IS PUNISHABLE UNDER U.S. COPYRIGHT LAWS.

| REV | DESCRIPTION | DWN | DATE | APPROVED |
|-----|---------------------|-----|--------|----------|
| A | ENGINEERING RELEASE | CZS | 9/1/98 | R. RICE |

ALL DIMENSIONS ARE REFERENCE ONLY



SPECIFICATIONS:

IMPEDANCE: NON CONSTANT
 WORKING VOLTAGE: 500 VRMS @ SEA LEVEL
 FREQUENCY RANGE: 0-300 MHz

DIMENSIONS ARE IN INCHES AND [MILLIMETERS]

UNLESS OTHERWISE NOTED TOLERANCES ARE:

DECIMALS DIAMETER

RFconnectors
 DIVISION OF RF INDUSTRIES, LTD.

7610 MIRAMAR RD
 SAN DIEGO, CA 92126
 (619) 549-6340
 (619) 549-6345 FAX

RFU-523 / SO-239-FM

UHF FEMALE BULKHEAD, FRONT MOUNT

| ITEM | DESCRIPTION | QTY | MATERIAL | FINISH |
|------|-------------|-----|--------------|-------------|
| 7 | HEX NUT | 1 | STEEL | NICKEL |
| 6 | LOCK WASHER | 1 | STEEL | NICKEL |
| 5 | SOLDER LUG | 1 | STEEL | NICKEL |
| 4 | DIELECTRIC | 1 | DAP | PANTONE 129 |
| 3 | DIELECTRIC | 1 | DAP | PANTONE 129 |
| 2 | CONTACT | 1 | BRASS | SILVER |
| 1 | BODY | 1 | ZINC DIECAST | NICKEL |

| | | |
|------------|------------------|--------|
| DRAWN | C. ZUNIGA | 9/1/98 |
| CHECKED | <i>C. Zuniga</i> | 9/1/98 |
| ORIG DRAWN | C. ZUNIGA | 9/1/98 |
| APPROVALS | | DATE |

| | | | |
|--------|-------------|----------|--------------|
| SIZE | CABLE GROUP | DWG NO. | REV |
| A | N/A | 8866 | A |
| SCALE: | 2:1 | CAD FILE | 13ARC B |
| | | | SHEET 1 OF 1 |