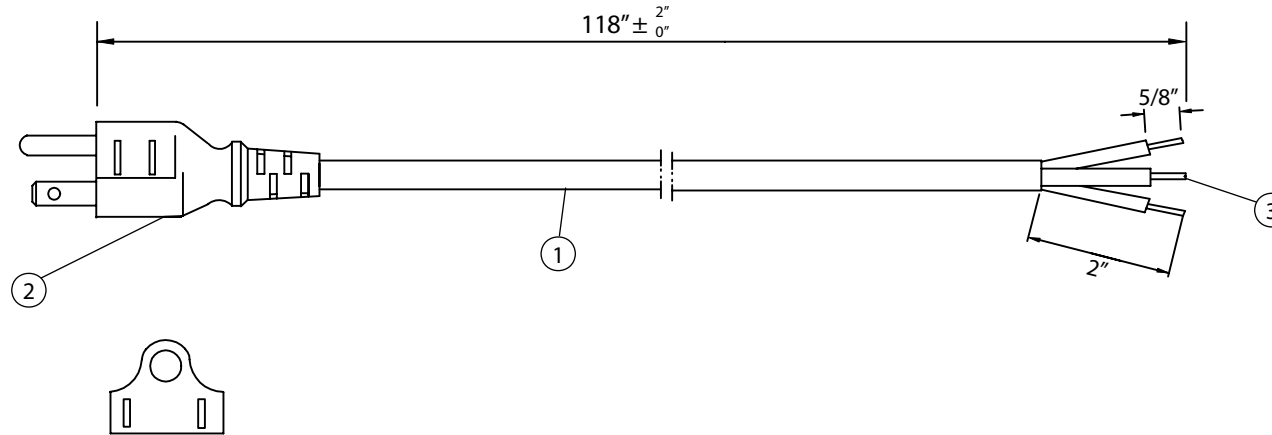


THESE DRAWINGS ARE THE PROPERTY OF QUALTEK ELECTRONICS AND NOT TO BE REPRODUCED FOR OR COMMUNICATED TO A THIRD PARTY WITHOUT THE EXPRESS WRITTEN PERMISSION OF AN OFFICER OF QUALTEK ELECTRONICS.

REVISION			
REV.	DESCRIPTION	DATE	APPROVED
B	RoHS Compliancy	06-01-06	LY



CONTROLLED

NOTES:

1. CORDAGE: SVT, 18AWG / 3C, SHIELDED WITH MYLAR FOIL, CEE COLOR CODE, TEMP. RATING: 60°C, RATING: 125V 10A, JACKET COLOR: BLACK
2. PLUG: NEMA 5-15P
3. OTHER END: ROJ 2', STRIP 5/8"
4. APPROVALS: UL, CSA
5. ROHS COMPLIANT

Dim range (mm)	Tolerance +/- (mm)	Qualtek Electronics Corp. PPC DIVISION		
0-1	0.15	Part Number:	311035-01	
1-6	0.20	Description: POWER CORD		
6-18	0.30		UNIT: in	REV.B
18-50	0.50	Drawn / Date	Checked / Date	Approved / Date
50-120	0.70	B. Zhang 02-06-92	02-06-92	JJH / 02-06-92
120-250	0.90			
250-500	1.20			