



PART NAME

8" FLANGE KIT

PART No.

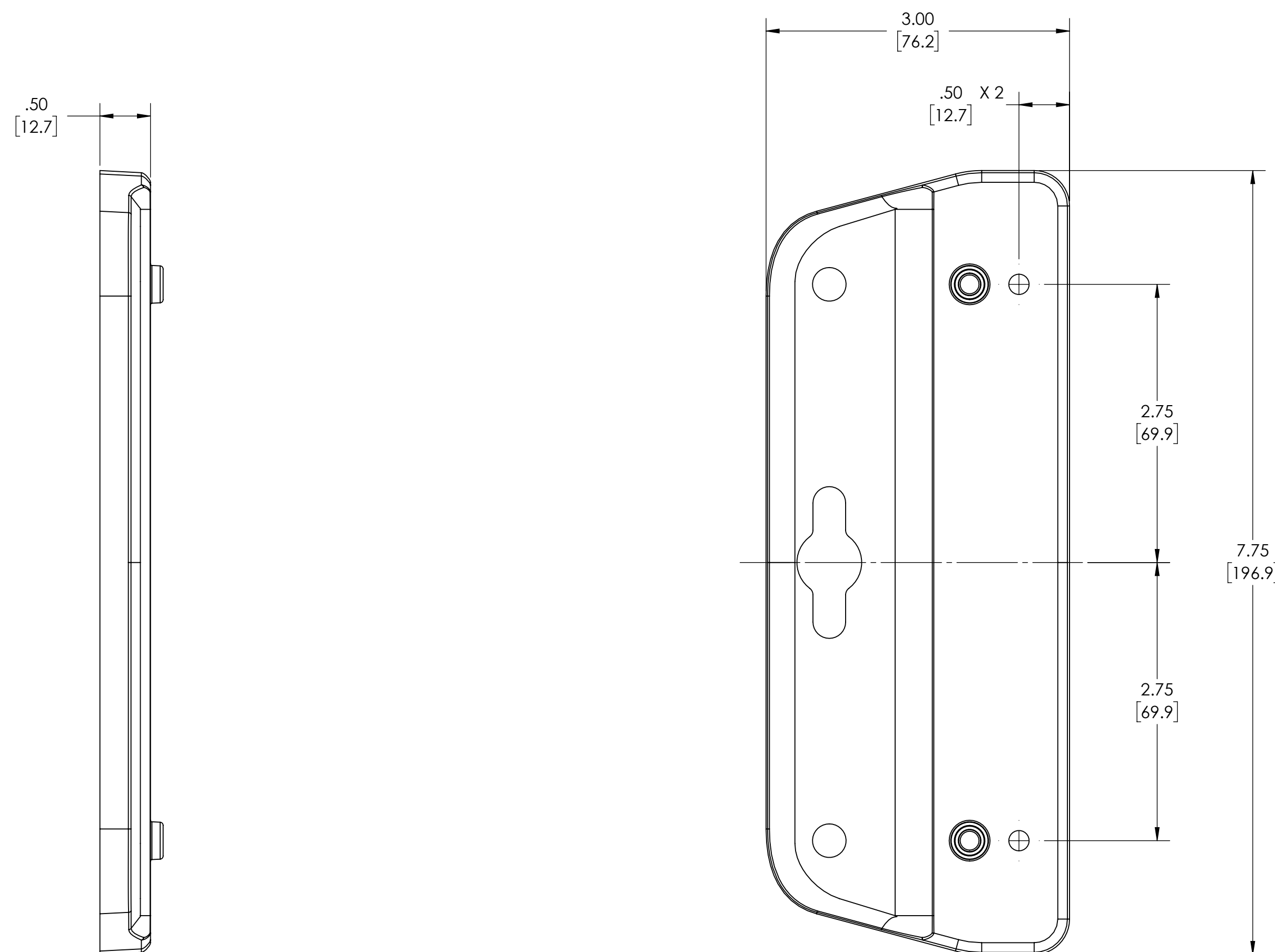
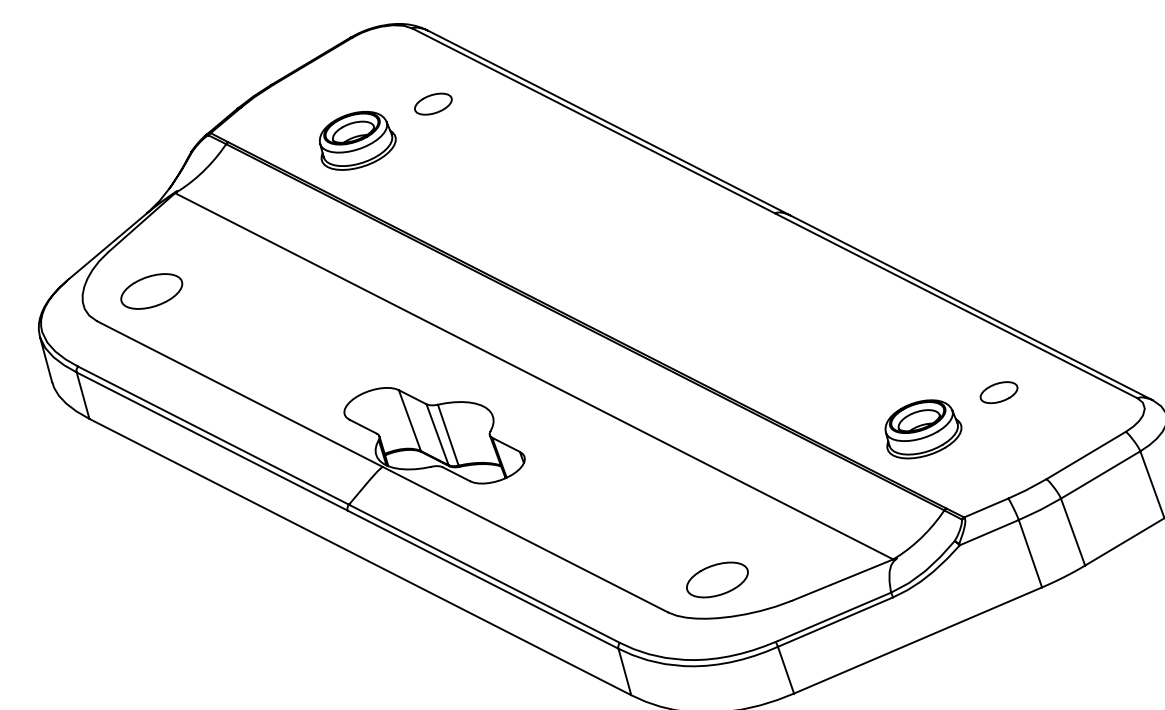
DPX-824KIT

REVISION DATE

2/22/21

NOTES:

1. MATERIAL: POLYCARBONATE.
2. QTY PER KIT - 2
3. FITS: DPH-28710, DPS-28710, DPH-28711, DPS-28711, DPH-28709 & DPS-28709
4. SUPPLIED WITH DPX-103275X (X 4#10-32 X 3/4" LONG, PAN HEAD, EACH PHILLIPS, SS FOR DPH/S SERIES)



DRAWING FOR REFERENCE

WE RESERVE THE RIGHT TO MAKE CHANGES TO OUR STANDARD PRODUCTS. PLEASE CONSULT WITH BUD INDUSTRIES PRIOR TO USING THIS DRAWING FOR DESIGN PURPOSE.