

# SACB- 8/3-L-C-M8 HD GG - Sensor/actuator box header



1197612

<https://www.phoenixcontact.com/us/products/1197612>

Please be informed that the data shown in this PDF document is generated from our online catalog. Please find the complete data in the user documentation. Our general terms of use for downloads are valid.



Sensor/actuator box header, application: Standard, connection method: M8 socket Metal, number of slots: 8, number of positions: 3, coding: A, slot assignment: single, status display: Yes, pnp; master cable connection: Plug-in master cable connection, shielding: no

## Your advantages

- Safety in the field, thanks to molded housing and high degree of protection
- Convenient: increased machine availability thanks to quick and easy diagnostics
- Flexible: distributor box with connector hood for on-site assembly

## Commercial data

|                                      |               |
|--------------------------------------|---------------|
| Item number                          | 1197612       |
| Packing unit                         | 1 pc          |
| Minimum order quantity               | 1 pc          |
| Sales key                            | BF40          |
| Product key                          | BF3BCD        |
| GTIN                                 | 4063151257460 |
| Weight per piece (including packing) | 140.8 g       |
| Weight per piece (excluding packing) | 140.8 g       |
| Customs tariff number                | 85444290      |
| Country of origin                    | DE            |

# SACB- 8/3-L-C-M8 HD GG - Sensor/actuator box header



1197612

<https://www.phoenixcontact.com/us/products/1197612>

## Technical data

### Notes

|         |  |
|---------|--|
| General | <b>NOTE:</b> Observe the permissible bending radii when laying conductors, since the degree of protection may be put in jeopardy if the bending forces are too high. Alleviate mechanical loads upstream of the connector, e.g. by using cable ties. |
| General | Unused slots are to be sealed off prior to commissioning. Suitable sealing elements are to be found under "Accessories".   |

### Product properties

|                     |                                      |
|---------------------|--------------------------------------|
| Product type        | Header with metric measurement slots |
| Number of positions | 3                                    |
| Application         | Standard                             |
| Number of slots     | 8                                    |
| Coding              | A                                    |
| LED                 | yes                                  |

### System properties

|                        |                |
|------------------------|----------------|
| Local diagnostics      |                |
| Monitored function     | Supply voltage |
| Optical representation | Green LED      |

### Electrical properties

|   |                               |
|---|-------------------------------|
| Max. operating voltage $U_{max}$        | 30 V DC                       |
| Local diagnostics                       | Supply voltage Green LED      |
|   | Status display I/O Yellow LED |
| Nominal voltage $U_N$                   | 24 V DC                       |
| Rated current, total                    | 8 A                           |
| Max. current carrying capacity per path | 2 A                           |
| Current carrying capacity per slot      | 2 A                           |

### Signaling

|                        |     |
|------------------------|-----|
| Status display present | Yes |
|------------------------|-----|

### Dimensions

|                     |       |
|---------------------|-------|
| Dimensional drawing |       |
| Width               | 30 mm |

# SACB- 8/3-L-C-M8 HD GG - Sensor/actuator box header



1197612

<https://www.phoenixcontact.com/us/products/1197612>

|        |        |
|--------|--------|
| Height | 17 mm  |
| Length | 178 mm |

## Material specifications

|  |            |
|--|------------|
| Material   | Cu alloy   |
|  | PBT        |
|  | PUR        |
| Seal material O-ring                                     | FKM        |
| Contact material   | CuZn       |
| Contact surface material                                 | Ni/Au      |
| Contact carrier material                                 | PBT        |
| Material of contact, master cable side                   | CU alloy   |
| Material of the contact carrier on the master cable side | PA         |
| Material of contact surface, master cable side           | tin-plated |

## Cable/line

|  |                                 |
|--|---------------------------------|
| Sensor/actuator connection system                          | M8 socket                       |
| Connection method  | Plug-in master cable connection |
| Tightening torque, cover screw                             | 1 Nm                            |
| Tightening torque of mounting screw for fixing the housing | 0.8 Nm                          |

## Environmental and real-life conditions

### Ambient conditions

|                                 |                  |
|---------------------------------|------------------|
| Degree of protection            | IP67             |
| Ambient temperature (operation) | -25 °C ... 80 °C |

## Standards and regulations

|                          |                 |
|--------------------------|-----------------|
| Standard designation     | M8 connector    |
| Standards/specifications | IEC 61076-2-104 |

# SACB- 8/3-L-C-M8 HD GG - Sensor/actuator box header

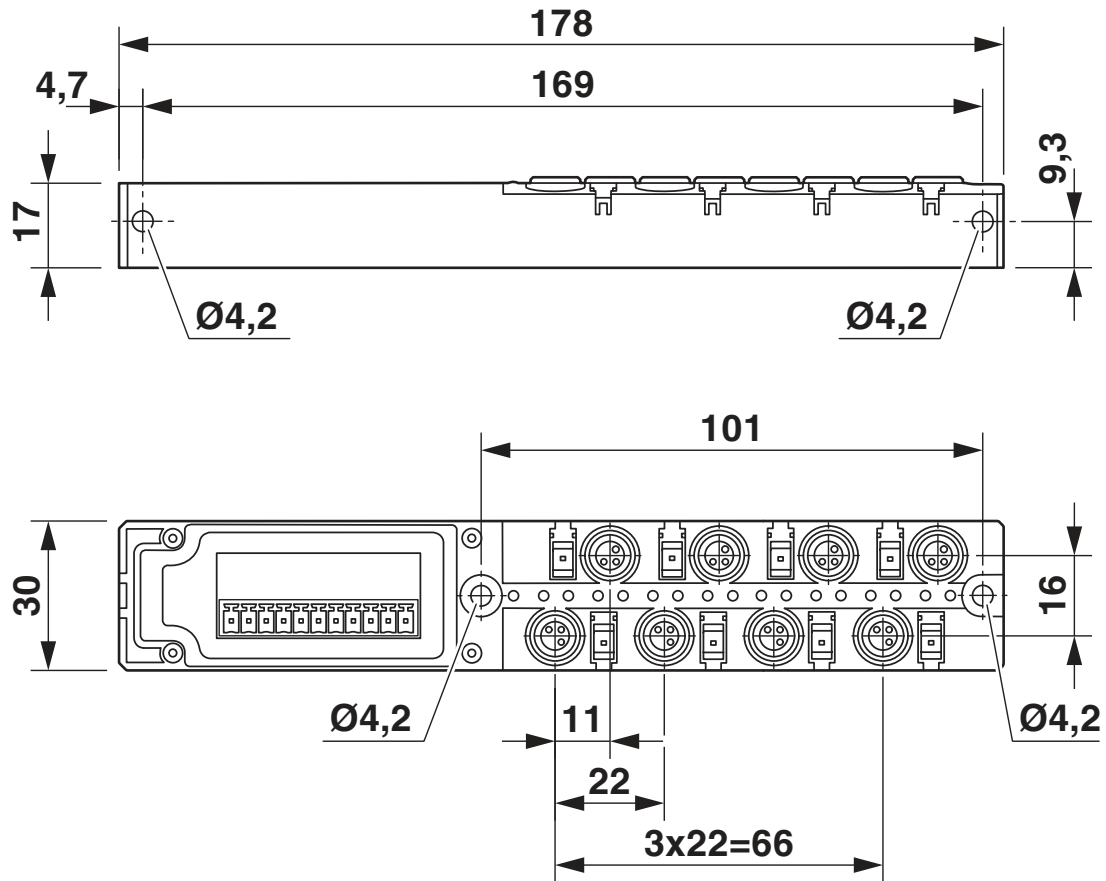


1197612

<https://www.phoenixcontact.com/us/products/1197612>

## Drawings

Dimensional drawing

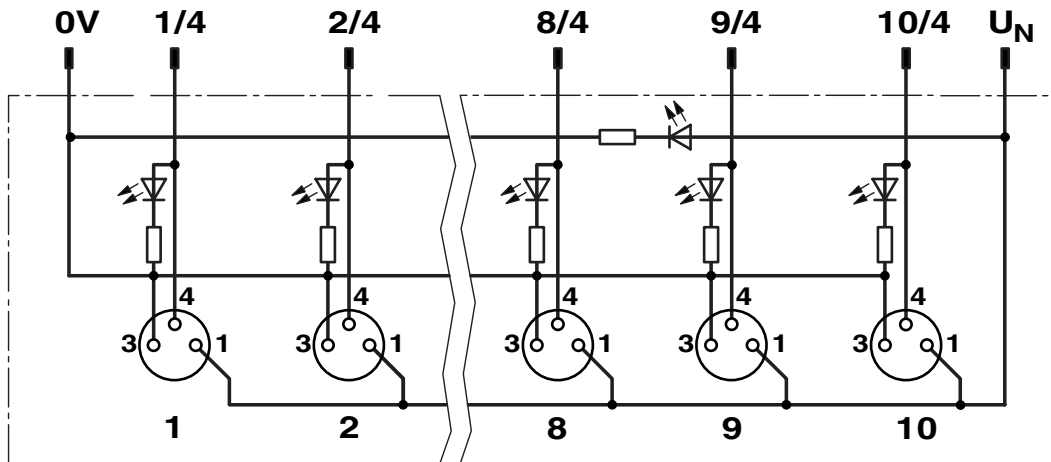


# SACB- 8/3-L-C-M8 HD GG - Sensor/actuator box header

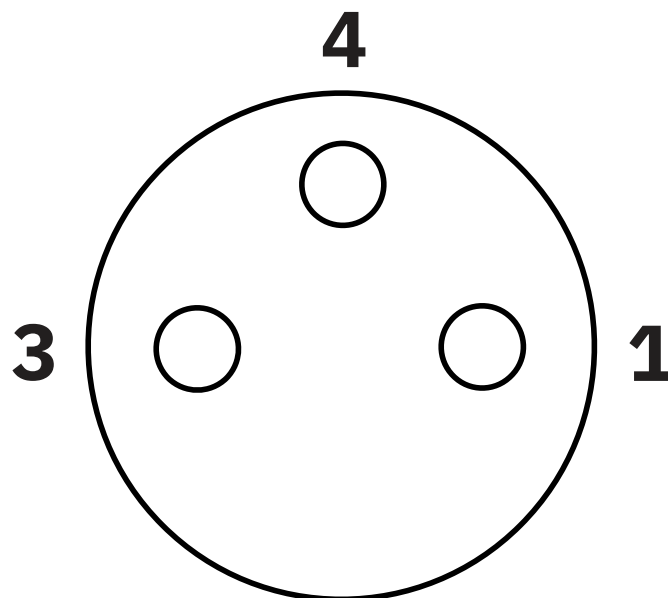
1197612

<https://www.phoenixcontact.com/us/products/1197612>

Circuit diagram



Schematic diagram



M8 slot, socket, 3-pos.

# SACB- 8/3-L-C-M8 HD GG - Sensor/actuator box header



1197612

<https://www.phoenixcontact.com/us/products/1197612>

## Classifications

### ECLASS

|             |          |
|-------------|----------|
| ECLASS-11.0 | 27440111 |
| ECLASS-12.0 | 27440111 |
| ECLASS-13.0 | 27440111 |

### ETIM

|          |          |
|----------|----------|
| ETIM 8.0 | EC003558 |
|----------|----------|

### UNSPSC

|             |          |
|-------------|----------|
| UNSPSC 21.0 | 31251500 |
|-------------|----------|

# SACB- 8/3-L-C-M8 HD GG - Sensor/actuator box header



1197612

<https://www.phoenixcontact.com/us/products/1197612>

## Environmental product compliance

|            |   |
|------------|---|
| China RoHS | Environmentally friendly use period: unlimited = EFUP-e |
|            | No hazardous substances above threshold values          |

# SACB- 8/3-L-C-M8 HD GG - Sensor/actuator box header

1197612

<https://www.phoenixcontact.com/us/products/1197612>

## Mandatory accessories

### SACB-PT-H180- 8/3-M8 HD - Connector hood

1197657

<https://www.phoenixcontact.com/us/products/1197657>



Connector hood, application: Standard, connection method: M8 socket Metal, number of slots: 8, number of positions: 3, slot assignment: single, status display: No, Universal; master cable connection: Plug-in push-in spring-cage connection 180°, shielding: no

---

### SACB-C-H180- 8/3-M8 HD - Connector hood

1197643

<https://www.phoenixcontact.com/us/products/1197643>



Connector hood, application: Standard, connection method: M8 socket Metal, number of slots: 8, number of positions: 3, slot assignment: single, status display: No, Universal; master cable connection: Pluggable screw connection 180°, shielding: no

---

## Accessories



# SACB- 8/3-L-C-M8 HD GG - Sensor/actuator box header

1197612

<https://www.phoenixcontact.com/us/products/1197612>

## SACB-PT-H180- 8/3-M8 HD - Connector hood

1197657

<https://www.phoenixcontact.com/us/products/1197657>



Connector hood, application: Standard, connection method: M8 socket Metal, number of slots: 8, number of positions: 3, slot assignment: single, status display: No, Universal; master cable connection: Plug-in push-in spring-cage connection 180°, shielding: no

---

## SACB-C-H180- 8/3-M8 HD - Connector hood

1197643

<https://www.phoenixcontact.com/us/products/1197643>



Connector hood, application: Standard, connection method: M8 socket Metal, number of slots: 8, number of positions: 3, slot assignment: single, status display: No, Universal; master cable connection: Pluggable screw connection 180°, shielding: no

# SACB- 8/3-L-C-M8 HD GG - Sensor/actuator box header



1197612

<https://www.phoenixcontact.com/us/products/1197612>

## SACB- 8X0,34/2X0,75-50 PUR - Master cable ring

1517592

<https://www.phoenixcontact.com/us/products/1517592>



Master cable for sensor/actuator boxes, without PE conductor, unshielded, material PUR/PVC, 10-pos., 8 x 0.34 mm<sup>2</sup> and 2 x 0.75 mm<sup>2</sup>, length: 50 m

---

## UCT-TM 6 - Marker for terminal blocks

0828736

<https://www.phoenixcontact.com/us/products/0828736>



Marker for terminal blocks, Sheet, white, unlabeled, can be labeled with: TOPMARK NEO, TOPMARK LASER, BLUEMARK ID COLOR, BLUEMARK ID, BLUEMARK CLED, THERMOMARK PRIME, THERMOMARK CARD 2.0, THERMOMARK CARD, mounting type: snapped, for terminal block width: 6.2 mm, lettering field size: 5.6 x 10.5 mm, Number of individual labels: 60

# SACB- 8/3-L-C-M8 HD GG - Sensor/actuator box header



1197612

<https://www.phoenixcontact.com/us/products/1197612>

## PROT-M8 - Screw plug

1682540

<https://www.phoenixcontact.com/us/products/1682540>



An M8 screw plug for the unoccupied M8 sockets of the sensor/actuator cable, boxes and flush-type connectors

---

## TSD 02 SAC - Torque screwdriver

1208487

<https://www.phoenixcontact.com/us/products/1208487>



Torque screwdriver, with preset torque of 0.2 Nm and 4 mm hexagonal drive for M8 connectors

# SACB- 8/3-L-C-M8 HD GG - Sensor/actuator box header

1197612

<https://www.phoenixcontact.com/us/products/1197612>

## SAC BIT M8-D10 - Tool

1208461

<https://www.phoenixcontact.com/us/products/1208461>



Nut for assembling M8 connectors with longitudinal knurl and a knurl diameter of 10 mm, for 4 mm hexagonal drive

---

## SACC BIT M8-D12 - Tool

1208474

<https://www.phoenixcontact.com/us/products/1208474>



Nut for assembling M8 connectors with longitudinal knurl and a knurl diameter of 12 mm, for 4 mm hexagonal drive

# SACB- 8/3-L-C-M8 HD GG - Sensor/actuator box header

1197612

<https://www.phoenixcontact.com/us/products/1197612>

## SZS 0,4X2,5 VDE - Screwdriver

1205037

<https://www.phoenixcontact.com/us/products/1205037>



Screwdriver, slot-headed, VDE insulated, size: 0.4 x 2.5 x 80 mm, 2-component grip, with non-slip grip

---

## SF-BIT-SL 0,45X2,4-70 - Screw insert

1212607

<https://www.phoenixcontact.com/us/products/1212607>



Screw bit, slotted, E6.3-1/4" drive, size: 0.45 x 2.4 x 70 mm, hardened, suitable for holder according to DIN 3126-F6.3/ISO 1173

# SACB- 8/3-L-C-M8 HD GG - Sensor/actuator box header



1197612

<https://www.phoenixcontact.com/us/products/1197612>

## SF-M BH - Screwdriver

1212070

<https://www.phoenixcontact.com/us/products/1212070>



Bit screwdriver, with 1/4" quick-action chuck, handle length 119 mm, 2-component handle, with non-slip grip, suitable for bits according to DIN 3126-C 6.3 and E 6.3/ISO 1173, magnetic

---

## SZK PZ2 VDE - Screwdriver

1206463

<https://www.phoenixcontact.com/us/products/1206463>



Screwdriver, PZ crosshead, VDE insulated, size: PZ 2 x 100 mm, 2-component grip, with non-slip grip

---

Phoenix Contact 2023 © - all rights reserved  
<https://www.phoenixcontact.com>

Phoenix Contact USA  
586 Fulling Mill Road  
Middletown, PA 17057, United States  
(+717) 944-1300  
[info@phoenixcon.com](mailto:info@phoenixcon.com)