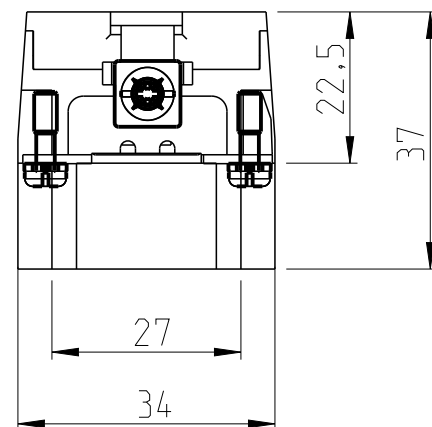
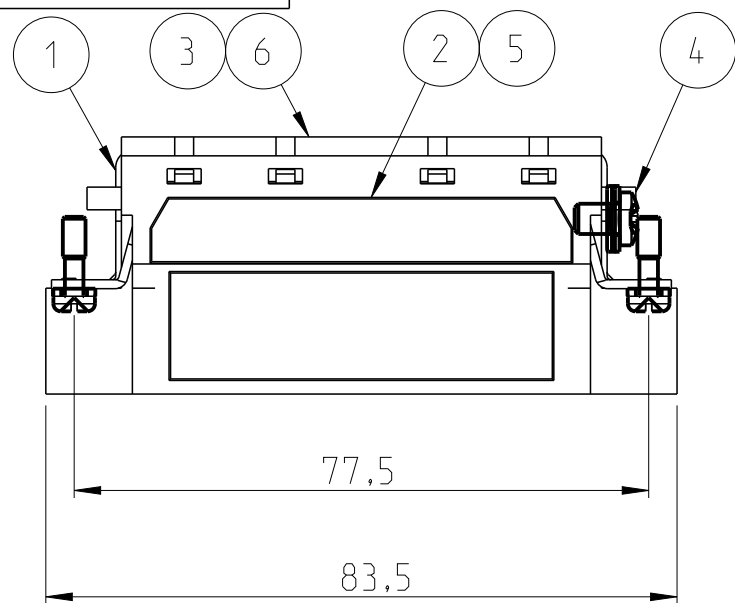
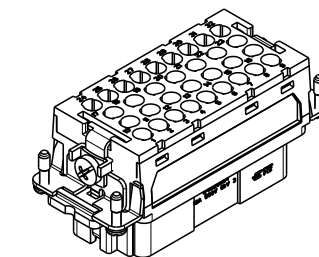
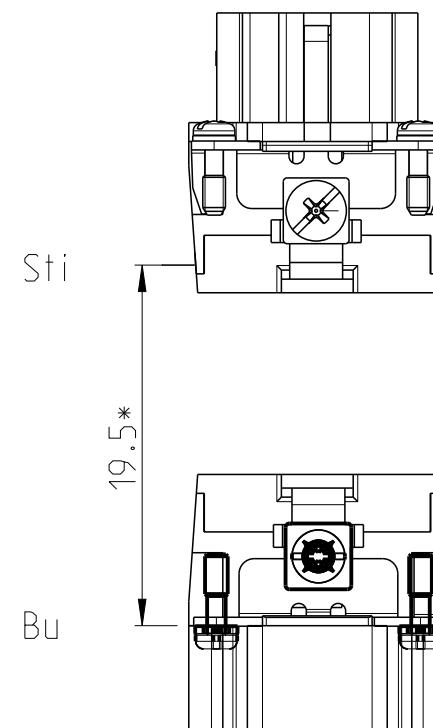


P	LTR	DESCRIPTION	DATE	DWN	APVD
B5	ECR-21-123464		12MAR2022	RK	JB



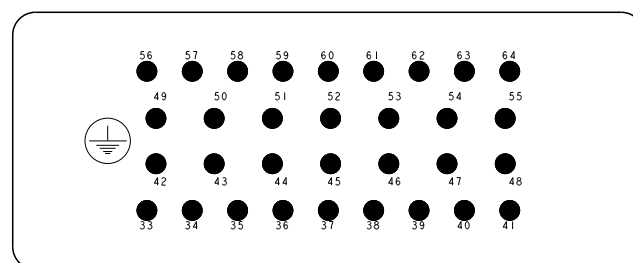
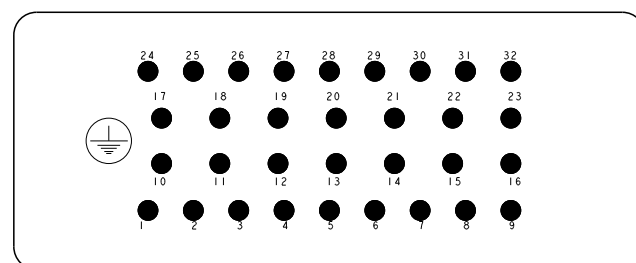
* distance for guaranteed contact 21 mm max.



CONTACT ARRANGEMENT VIEW FROM TERMINATION SIDE

PN 0-1: 0-3

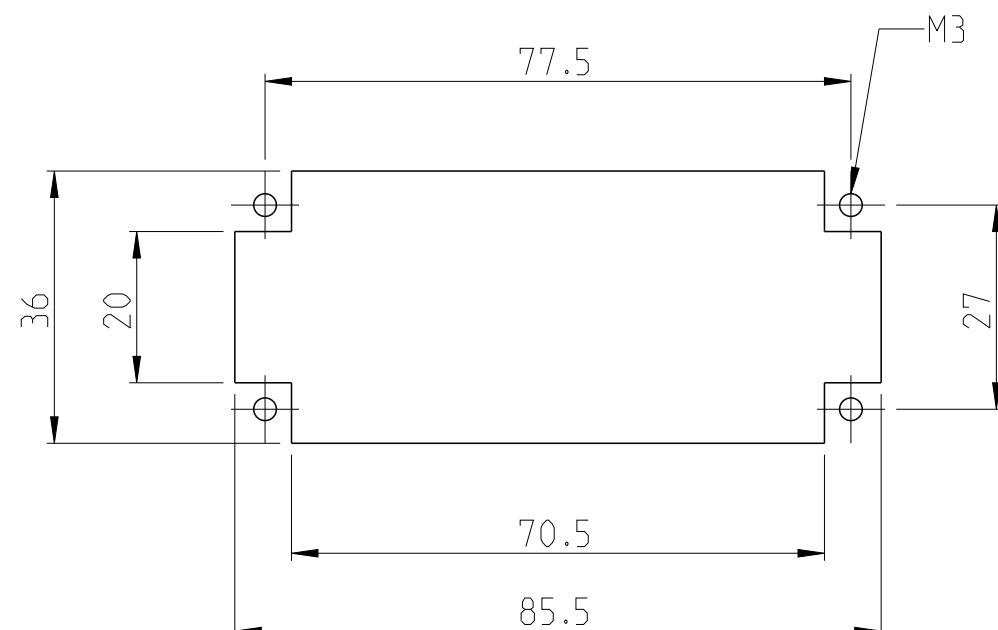
PN 0-2



NOTES

- ① MATERIAL: LCP-GF
- ② MATERIAL, INSERT: PC-GF20
- ③ MATERIAL, COVER: PC-GF20
- ④ PACKAGING QUANTITY 10 PIECES

PANEL CUT-OUT FOR CONTACT INSERT WHEN USED WITHOUT HOUSING



QTY	DESCRIPTION	MATERIAL	SURFACE	COLOR	ITEM		
1	COVER HEE.32-FS	LCP-GF30		NATURE	6		
1	FEMALE INSERT HEE.32	LCP-GF30		NATURE	5		
1	PROTECTION ANGLE CONTACT SOCKET		ZINK PLATED	BLUE	4		
1	COVER HEE.32	PC-GF20		LIGHT-GREY	3		
1	FEMALE INSERT HEE.32	PC GF20		LIGHT-GREY	2		
1	PROTECTION ANGLE CONTACT SOCKET WITH MOUNTING		ZINK PLATED	BLUE	1		
0-3	0-2	0-1	DESCRIPTION	MATERIAL	SURFACE	COLOR	ITEM
HEE.32.Bu.C B1-32							
HEE.32.Bu.C.B33-64							
HEE.32.Bu.C.-FS							

THIS DRAWING IS A CONTROLLED DOCUMENT.		DWN 08.12.2004 R.SCHNEIDER			
DIMENSIONS: mm		CHK 08.12.2004 M.SCHWEIGER			
TOLERANCES UNLESS OTHERWISE SPECIFIED: n-ISO 805 n-ISO 2769- n-DIN 16901-140		APVD 08.12.2004 T.SCHNURPFIL		NAME MALE INSERT ASSY HEE.32.Bu.C	
0 PLC 1 PLC 2 PLC 3 PLC 4 PLC ANGLES		PRODUCT SPEC 108-74045		SIZE A3	
MATERIAL		APPLICATION SPEC 114-74060		CAGE CODE 00779	
FINISH		WEIGHT		DRAWING NO C=1102896	
		CUSTOMER DRAWING		RESTRICTED TO	
		SCALE 1:1		SHEET 1 OF 1	
				REV B5	