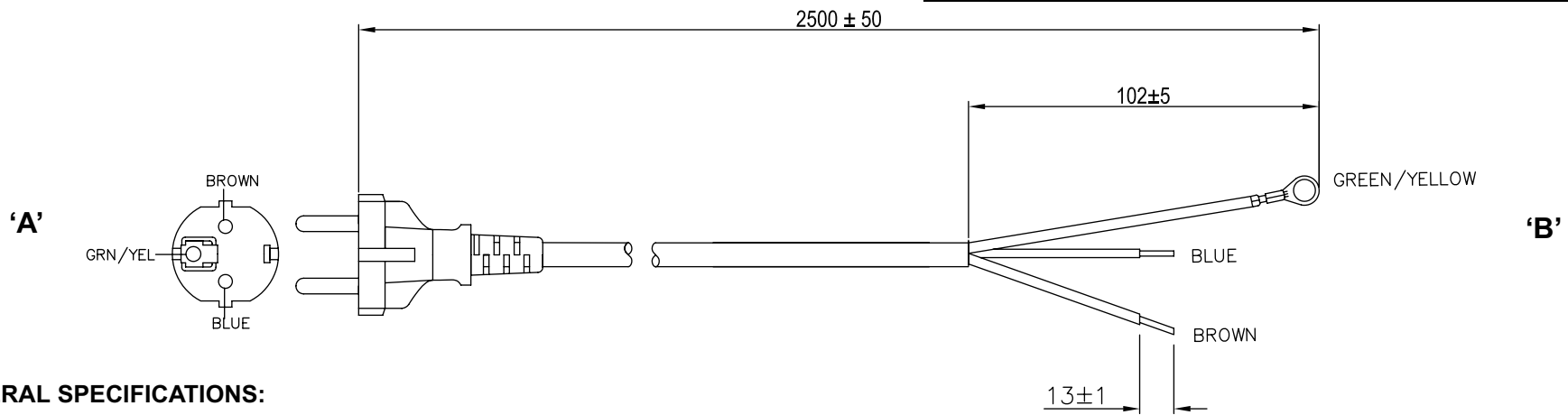


PROPRIETARY INFORMATION:
 PROPRIETARY OF GLOBTEK, INC. ANY REPRODUCTION, DISCLOSURE OR USE OF THIS DRAWING, IN WHOLE OR IN PART, IS HEREBY PROHIBITED EXCEPT AS SPECIFIED IN WRITING BY GLOBTEK, INC.

REVISION			
REV	DESCRIPTION	DATE	APPROVED
A	INITIAL RELEASE	08/09/02	BS
B	UPDATE OVERALL LENGTH TO 8.2 FT, RFS.3164, DMR	02/25/04	BS
C	ADD ROHS, SHIPPING LABEL, RFS. 14388, FS	08/20/08	BS
D	UPDATE BOX Q'TY TO 100 pcs, RFS.23630, JN	10/10/12	BS



GENERAL SPECIFICATIONS:

RATING: 10A / 250V AC
 CABLE TYPE / SIZE: H05VV-F, 3 x 0.75 mm²
 TEMPERATURE RATING: 70° C
 CONDUCTOR COLORS: BROWN / BLUE/ GREEN-YELLOW
 CABLE JACKET COLOR: BLACK
 OVERALL LENGTH (L): 2500 ± 50 mm
 CABLE OUTER DIAMETER: 6.8 ± 0.2 mm
 END 'A' PLUG; CEE 7/7 EURO PLUG
 END 'B' SEE TERMINATION TABLE
 APPROVALS PLUG: VDE, N, S, D, FI, KEMA, CEBC, OVE
 APPROVALS CABLE: VDE, N, S, D, FI, KEMA, SEV, CEBC, OVE, IMMEQ, SAA

PACKING:

BULK PACKED, 100 pcs PER CARTON

NOTES:

1. CORD, PLUG AND CONNECTOR MUST BE MARKED WITH APPROVAL SYMBOLS OR FILE NUMBER(S).



CONDUCTOR TERMINATION TABLE:

Wire	Color	ROJ ± 5 mm	RIJ ± 1 mm	Terminal
Neutral	Blue	64	13	Stripped and Tinned
Line	Brown	64	13	Stripped and Tinned
Ground	Green-Yellow	102	13	Ring Terminal: AMP P/N: 1-32055-1 #3 double crimp type or equivalent

DASH NO.	PART NO	REV.	DESCRIPTION	NOTES
TABULATION BLOCK				
		TOLERANCES: DECIMALS ANGULAR .xx +/- 0.1 +/- 1° .xxx +/- .005		GlobTek, Inc. www.globtek.com 186 Veterans Dr. Northvale, NJ 07647 Tel. 201-784-1000 Fax 201.784.0111
		MILLIMETERS ANGULAR .xx +/- 0.3 +/- 1° .xxx +/- .013		
INIT.BY: FS		DATE: 08/09/02		DWG TITLE: EUROPEAN NON-DETACHABLE CORD REV. D
DRAWN: NF		DATE: 08/09/02		
APRVD:		DATE: 08/09/02		FSCN No.: G, CC SCALE: NONE PART NO: 23144262M5TTR(R) SHEET 1/2

Foot Note:
 Globtek Inc. will not be liable for the safety and performance of these power product if unauthorized access and repair occurs. End user should consult the applicable UL, CSA or EN Standards for proper installation instruction.

Limitation of Use:
 Globtek product are not authorized for use as mission critical components in life support, hazardous environment, nuclear or aircraft applications without prior written approval from the CEO of Globtek Inc.

Contents of this document are subject to change without prior notice

PROPRIETARY INFORMATION:
 PROPRIETARY OF GLOBTEK, INC. ANY REPRODUCTION, DISCLOSURE OR
 USE OF THIS DRAWING, IN WHOLE OR IN PART, IS HEREBY
 PROHIBITED EXCEPT AS SPECIFIED IN WRITING BY GLOBTEK,INC.

SHIPPING LABEL

FROM: Globtek, Inc. 186 Veterans Dr. Northvale, NJ, 07647, USA	
CONSIGNMENT	
(K) P.O. NO. :	
(P) CUST. PART NO. 208993	
(Q) SHIPMENT QTY:	
DATE CODE (WW/YY):	C.O.O.: CN
(1P) MANUF.PART NO: 23144262M5TTR	
(C) CARTON QTY: 100 pcs	CARTON COUNT:
	X of Y

All bar code data fields must use Code 3 of 9 or Code 128.

Add prefix for below items:

1. Add "Q" before quantity (for example, qty is 5040, the barcode will be read as Q5040)
2. Add "1P" before MPN (manufactured part number) (for example, MPN is GS-1553(R), the barcode will be read as 1PGS-1553R.
3. Add "C" before carton quantity.
4. No need to add prefix before Country of Origin.

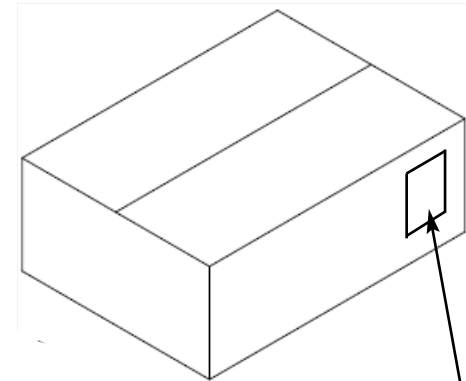
To be advised

To be advised

X - Incremental carton count
 Y - total numbers of cartons
 on this shipment

Example:
 1 of 63
 2 of 63
 etc.

SHIPPING CARTON



SHIPPING LABEL

		186 Veterans Dr. Northvale, NJ 07647	
www.globtek.com		Tel. 201-784-1000 Fax 201.784.0111	
DWG TITLE:		EUROPEAN NON-DETACHABLE CORD	
		REV. D	
PART NO: 23144262M5TTR(R)		SHEET 2/2	