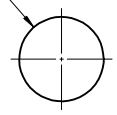
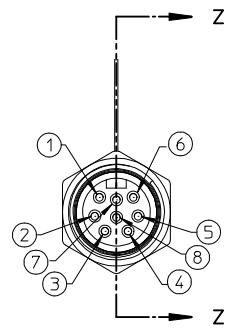
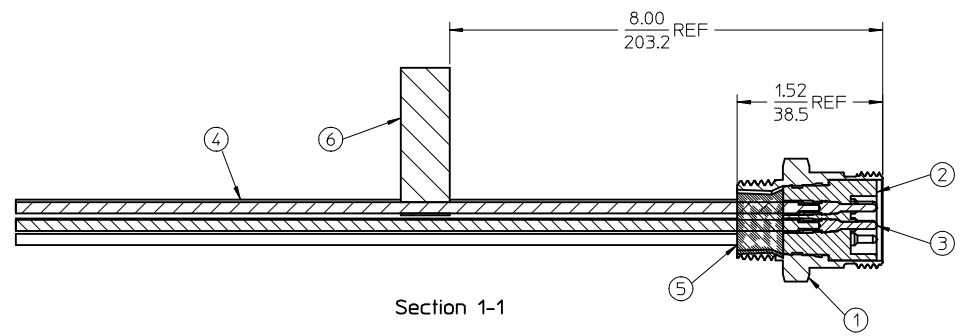
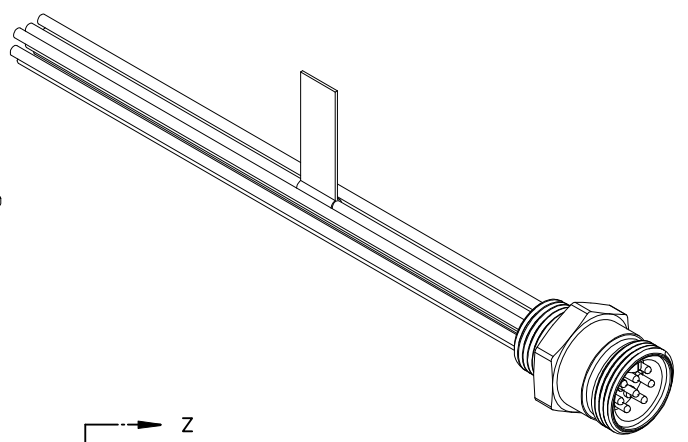
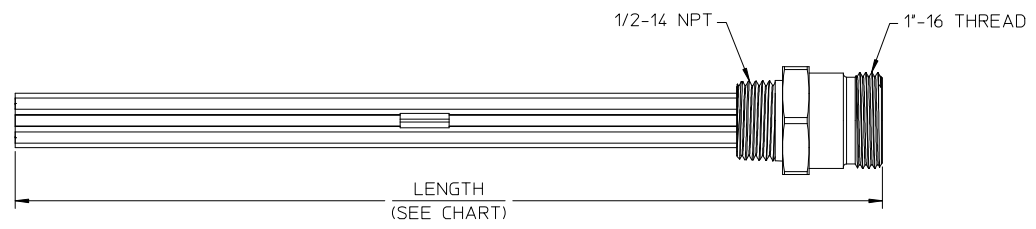


MATERIAL NO.	ENGINEERING NO.	LENGTH
1300140078	2R8006A20A120	12' +.75-0 [305mm +19.0-0]
1300140084	2R8006A20F060	6'0' +2.19 [1.8M +55.6-0]

φ .88
22.4



REF. KNOCK-OUT HOLE



1	ORANGE
2	BLUE
3	WHITE/BLACK
4	BLACK
5	WHITE
6	RED
7	GREEN/YELLOW-GND
8	RED/BLACK

NOTES:
 1. MATERIAL: SEE TABLE
 2. FINISHES: SEE TABLE
 3. MATES WITH: 8/C MINI-CHANGE CORD ASSY.
 4. ELECTRICAL SPECIFICATIONS:
 VOLTAGE RATING: 600V AC/DC
 CURRENT RATING: 7 AMPS
 5. RoHS COMPLIANT

ITEM	QTY.	DESCRIPTION	MATERIAL	FINISH
6	1	LABEL	PLASTIC FILM	BLACK/YELLOW
5	1	POTTING	EPOXY	
4	8	WIRE, 16 AWG (UL 1015)	PVC INSULATED	SEE WIRE DIAGRAM
3	8	CONTACT PIN	BRASS	GOLD PLATED
2	1	INSERT	PVC	YELLOW
1	1	RECEPTACLE SHELL	ZINC ALLOY	E-COAT, BLACK

RELEASED	QUALITY SYMBOLS
EC NO: MNA2009-0813	▽=0
DRWN:RUBERT 2009/06/09	▽=0
CHKD:BRUPERT	
APPR:J.MURPHY 2009/06/10	
DESCRIPTION	
A	

GENERAL TOLERANCES (UNLESS SPECIFIED)	
mm	INCH
4 PLACES ± .005	± .0005
3 PLACES ± .005	± .0005
2 PLACES ± .005	± .001
1 PLACE ± 0.3	± .010
ANGULAR ± 1/2°	
DRAFT WHERE APPLICABLE MUST REMAIN WITHIN DIMENSIONS	

DIMENSION STYLE	
IN/MM	
DRAWN BY	DATE
R.STONE	2009/04/03
CHECKED BY	DATE
B.WOODMAN	2009/04/03
APPROVED BY	DATE
J.MURPHY	2009/04/07
MATERIAL NO.	
SEE CHART	
SIZE	
C	

SCALE	DESIGN UNITS	THIRD ANGLE PROJECTION
1:1	INCH	
TITLE		
MINI-CHANGE RECEPTACLE MALE, 8 POLE 1/2 IN NPT		
MOLEX INCORPORATED		SHEET NO.
DOCUMENT NO.		1 OF 1
THIS DRAWING CONTAINS INFORMATION THAT IS PROPRIETARY TO MOLEX INCORPORATED AND SHOULD NOT BE USED WITHOUT WRITTEN PERMISSION		

FACE VIEW-MALE INSERT

1 ORANGE 2 BLUE 3 BLACK 4 WHITE 5 RED 6 GREEN/YELLOW	1 WHITE/BLACK 2 BLACK 3 WHITE 4 RED 5 ORANGE 6 BLUE 7 GREEN/YELLOW	1 ORANGE 2 BLUE 3 WHITE/BLACK 4 BLACK 5 WHITE 6 RED 7 GREEN/YELLOW 8 RED/BLACK

PART NO. MATRIX

2R7006A20M010

POLES
6-8

FINISHED LENGTH:
A120= 12 IN.
F060= 6 FEET
F120= 12 FEET

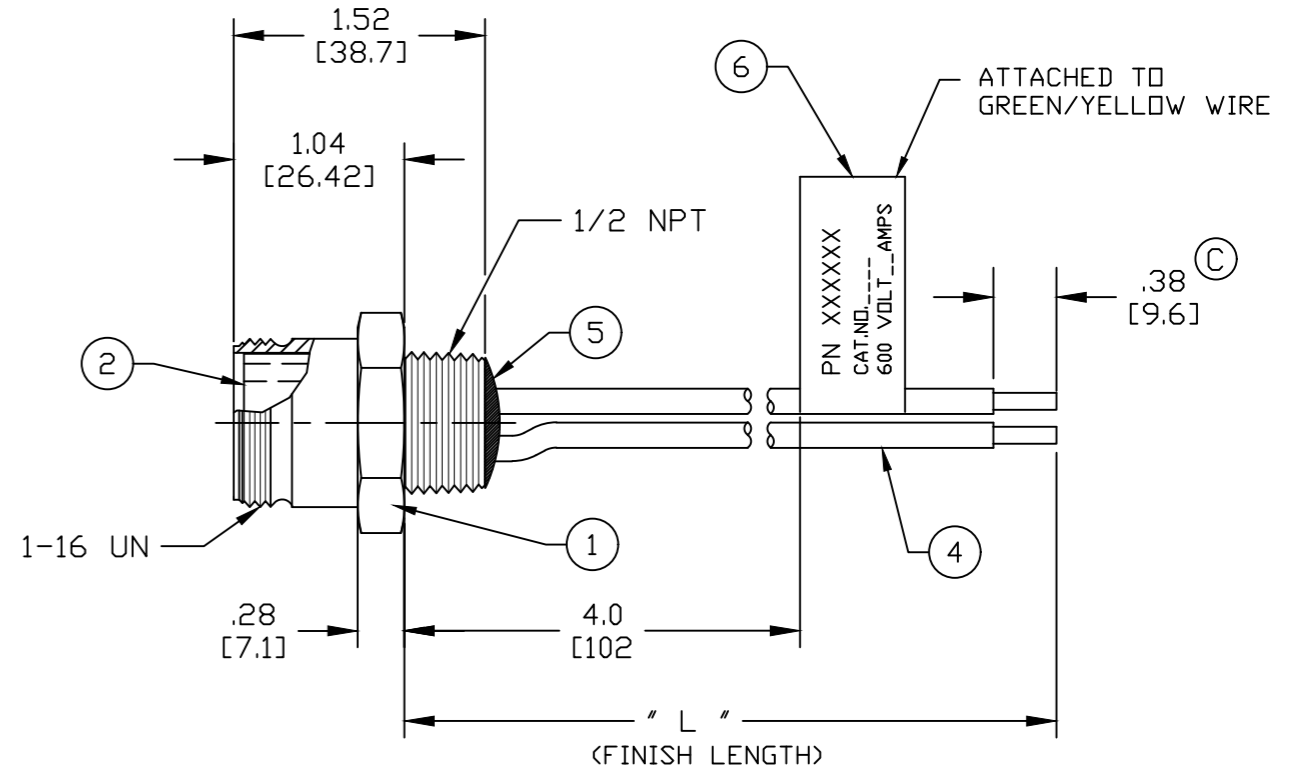
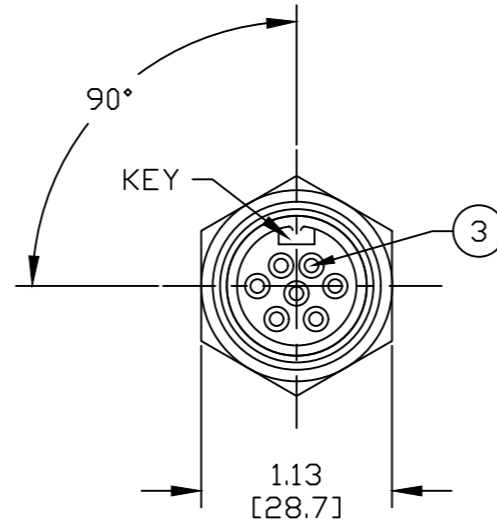
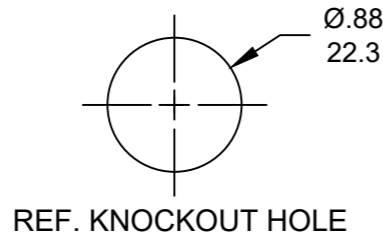
M005= 0.5 METER
M010= 1 METER
M100= 10 METER

CABLE LENGTH TOLERANCES

<.3M [1FT]:	+19mm-0 [+ .75in-0]
.3 - .9M [1 - 3FT]:	+44.5mm-0 [+1.75in-0]
.9 - 1.8M [3 - 6FT]:	+55.6mm-0 [+2.19in-0]
1.8 - 3.7M [6 - 12FT]:	+88.9mm-0 [+3.50in-0]
3.7 - 7.3M [12 - 24FT]:	+165.1mm-0 [+6.50in-0]
7.3-14.6M [24 - 48FT]:	+317.5mm-0 [+12.50in-0]
14.6 - 30.5M [48-100FT]:	+622.3mm-0 [+24.50in-0]
OVER 30M [100FT]	+2% OF FINISHED LENGTH

NOTES:

- MATERIAL: AS NOTED
- FINISH: AS NOTED
- ELECTRICAL:
VOLTAGE: 6 THRU 8P 600V PER UL 2238
6P 400V PER IEC 60664
7 & 8P 320V PER IEC 60664
CURRENT: 6 & 7 POLE: 8A
8 POLE: 7A
- TEMP RATING: -20°TO +105°C
- PROTECTION: IP67 (WHEN MATED)
- UL LISTED, FILE: E152210
CSA CERTIFIED, FILE: LR6837
- ALL DIMENSIONS ARE FOR REFERENCE UNLESS TOLERANCED OR NOTED OTHERWISE



6	LABEL	VINYL	BLACK/YELLOW
5	POTTING MATERIAL	EPOXY	
4	WIRE, 16 AWG UL (1015)	PVC INSULATION	SEE FACE VIEW
3	CONTACT PIN	COPPER ALLOY	GOLD PLATED
2	INSERT	TPE	YELLOW
1	RECEPTACLE SHELL	ZINC DIE-CAST	BLACK
ITEM	DESCRIPTION	MATERIAL	FINISH

PART NO	ENGINEERING NO.	FINISHED LENGTH
1300140025	2R6006A20A120	12 IN [0.3M]
1300140149	2R7006A20F300	30 FT [9.1M]
1300140058	2R7006A20M005	0.5M [1.6 FT]

FUNCTIONAL SYMBOLS F/A=0 F/C=0 F/P=0	THIS DRAWING CONTAINS INFORMATION THAT IS PROPRIETARY TO MOLEX ELECTRONIC TECHNOLOGIES, LLC AND SHOULD NOT BE USED WITHOUT WRITTEN PERMISSION						
	DIMENSION UNITS INCH/MM	SCALE 1:1			CURRENT REV DESC: ADDED .38 WIRE STRIP, CORRECT CABLE LENGTH TOL. BLOCK, UPDATE BORDER		
	GENERAL TOLERANCES (UNLESS SPECIFIED)		EC NO: 721990 DRWN: RSTONE 2022/09/19 CHK'D: ALEON01 2022/09/23 APPR: BWOODMAN 2022/09/23				
	DIVISIONAL SYMBOLS	4 PLACES ±--- ±--- 3 PLACES ±--- ±--- 2 PLACES ±--- ±--- 1 PLACE ±--- ±--- 0 PLACES ±--- ±---	INITIAL REVISION: DRWN: RSTONE 2016/12/07 APPR: BWOODMAN 2017/01/16				
DRAFT WHERE APPLICABLE MUST REMAIN WITHIN DIMENSIONS		THIRD ANGLE PROJECTION	DRAWING	SERIES	MATERIAL NUMBER	CUSTOMER	SHEET NUMBER
			B-SIZE	130014		GENERAL MARKET	1 OF 1