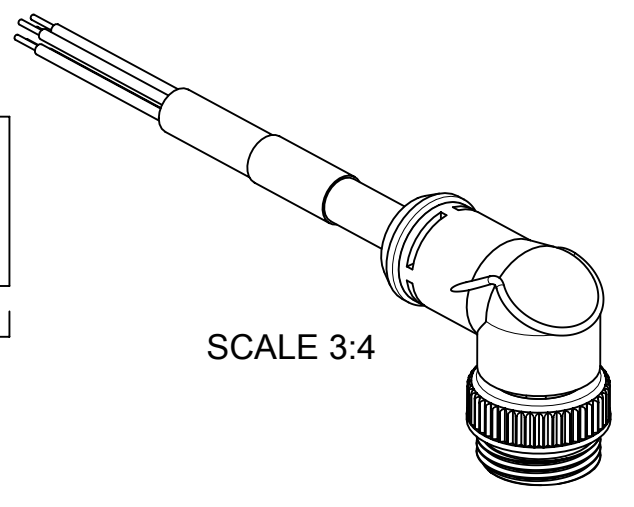
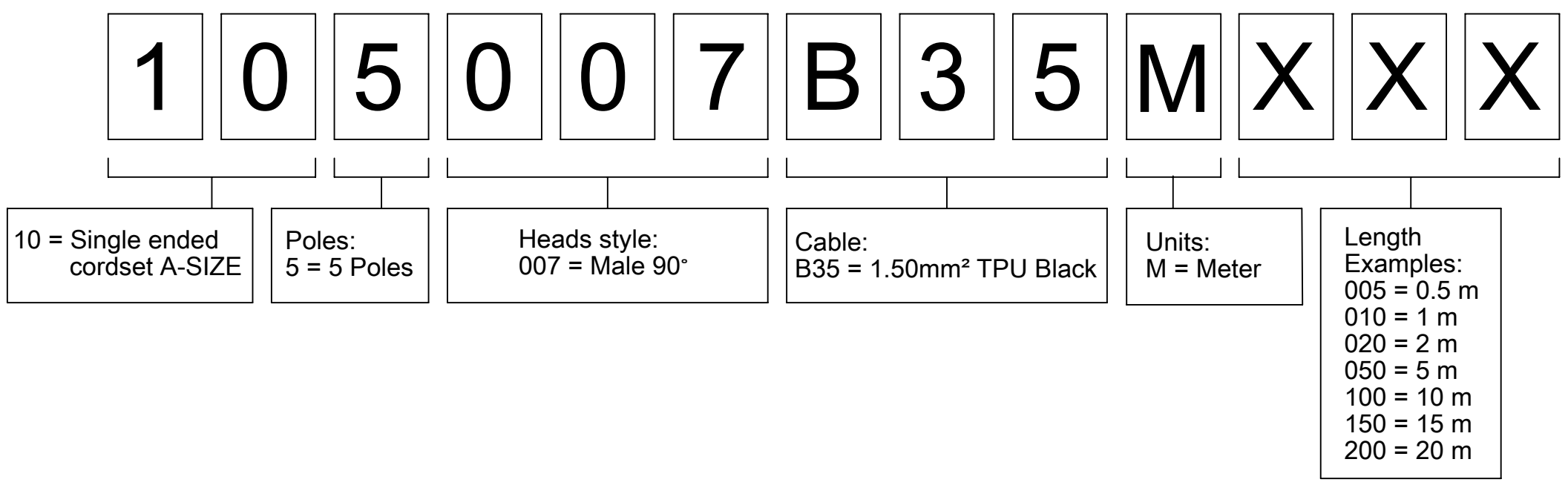


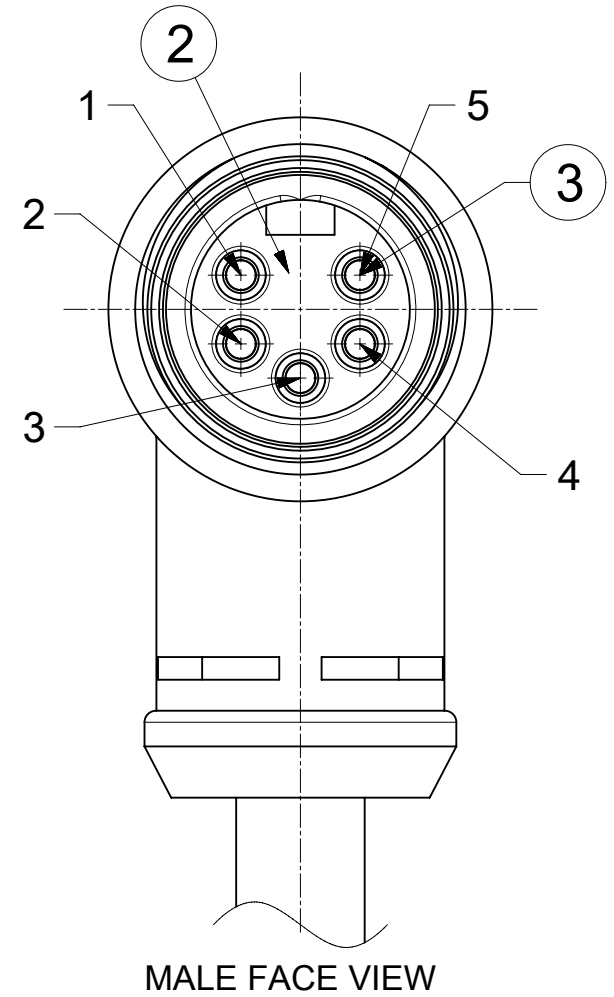
MATERIAL NO.	ENGINEERING NO.	FINISHED LENGTH
1300068277	105007B35M010	1 M (3 FT 3.37 IN)
1300068169	105007B35M020	2 M (6 FT 6.74 IN)
1300068170	105007B35M050	5 M (16 FT 4.85 IN)
1300068171	105007B35M100	10 M (32 FT 9.7 IN)
1300068172	105007B35M200	20 M (65 FT 4.7 IN)
1300068173	105007B35M300	30 M (98 FT 5.1 IN)

PART NUMBER MATRIX



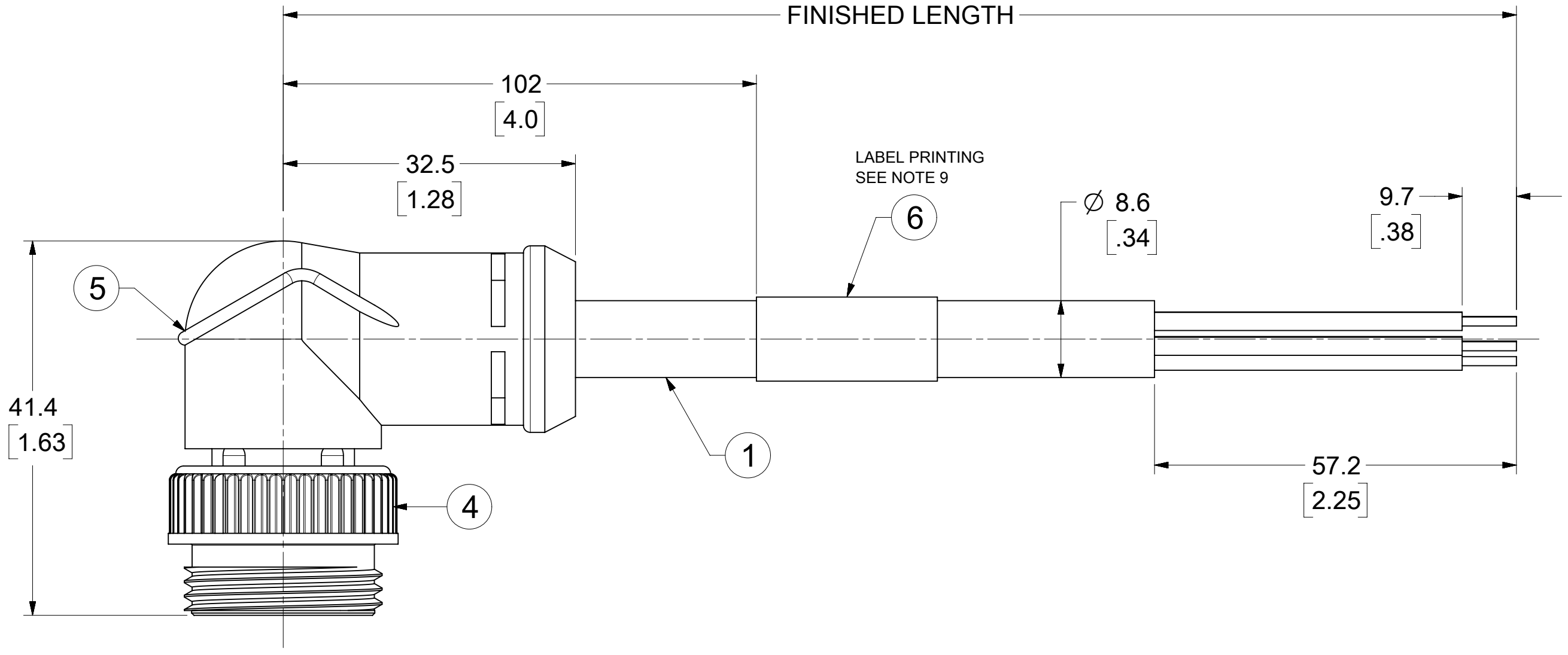
WIRING DIAGRAM

1	BLACK
2	BLUE
3	GREEN/YELLOW
4	BROWN
5	WHITE



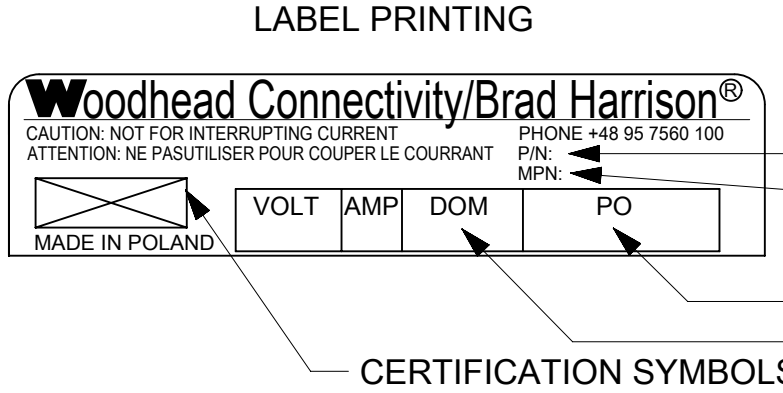
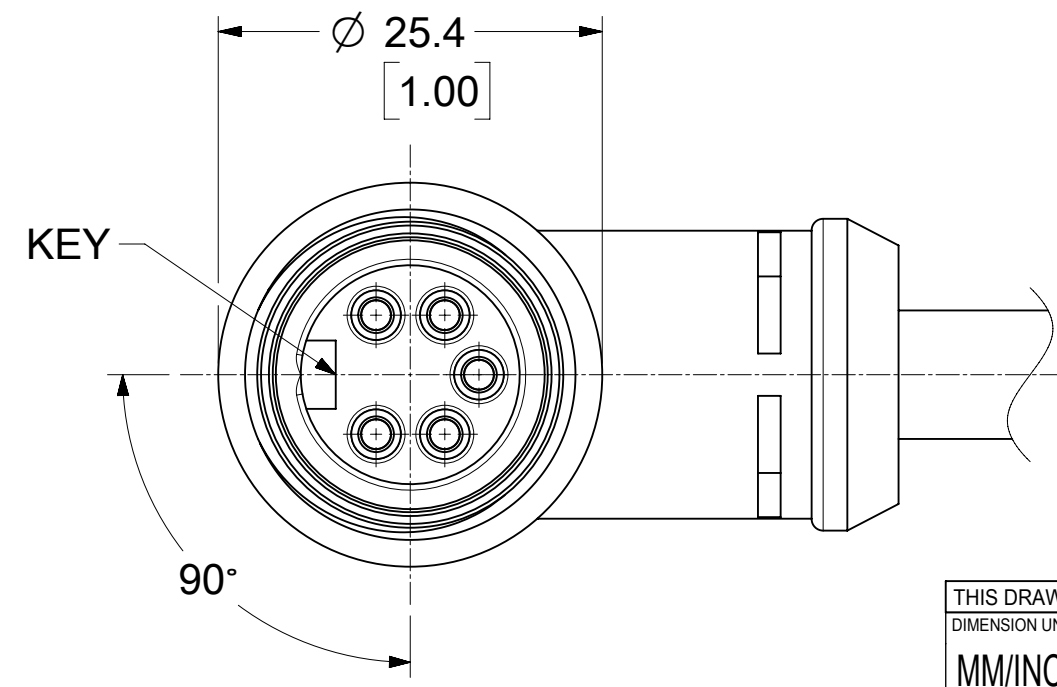
NOTES:

- MATERIAL: AS NOTED
- FINISH: AS NOTED
- ELECTRICAL:
VOLTAGE RATING: 600 V
CURRENT RATING: 10 A
- TEMPERATURE RATING:
STATIC: -40 °C TO 90 °C
DYNAMIC: -25 °C TO 80 °C
- PROTECTION: IP67 (WHEN MATED)
- UL CERTIFICATION: UL LISTED, FILE NO. E152210
- COUPLING THREAD: 7/8"-16UN
- ALL DIMS ARE FOR REFERENCE UNLESS TOLERANCED OR NOTED OTHERWISE
- LABEL PRINTING ACC. STANDARD LABEL INSTRUCTION



CABLE LENGTH TOLERANCES

<.3M [1FT]:	+19mm-0 [+.75in-0]
.3 - .9M [1 - 3FT]:	+44.5mm-0 [+1.75in-0]
.9 - 1.8M [3 - 6FT]:	+55.6mm-0 [+2.19in-0]
1.8 - 3.7M [6 - 12FT]:	+88.9mm-0 [+3.50in-0]
3.7 - 7.3M [12 - 24FT]:	+165.1mm-0 [+6.50in-0]
7.3-14.6M [24 - 48FT]:	+317.5mm-0 [+12.50in-0]
14.6 - 30.5M [48-100FT]:	+622.3mm-0 [+24.50in-0]
OVER 30M [100FT]	+2% OF FINISHED LENGTH



ENGINEERING NO.
MOLEX PN

PO NO.
PRODUCT. DATE

BILL OF MATERIAL

ITEM	DESCRIPTION	MATERIAL	FINISH
6	LABEL	VINYL	BLACK/YELLOW
5	OVERMOLD	TPE	BLACK
4	COUPLING NUT	ZINC DIE CAST	BLACK E-COAT
3	PIN CONTACT	Cu ALLOY	GOLD OVER NICKEL
2	MALE INSERT	TPE	BLACK
1	#16-5 CABLE, WELD SLAG RESISTANT	TPU JACKET	GREY
		MATERIAL	FINISH

THIS DRAWING CONTAINS INFORMATION THAT IS PROPRIETARY TO MOLEX ELECTRONIC TECHNOLOGIES, LLC AND SHOULD NOT BE USED WITHOUT WRITTEN PERMISSION									
DIMENSION UNITS MM/INCH		SCALE 2:1		CURRENT REV DESC: NOTES UPDATED, LABEL PRINTING ADDED					
GENERAL TOLERANCES (UNLESS SPECIFIED)				EC NO: 747270		CSE MC 5P A-SIZE MA RA WSOR XM SE			
4 PLACES ±		±		DRWN: RSCHIEBER		2023/04/18			
3 PLACES ±		±		CHK'D: RSILLER		2023/04/27			
2 PLACES ±		±		APPR: RSILLER		2023/04/27			
1 PLACE ±		±		INITIAL REVISION:		DOCUMENT NUMBER			
0 PLACES ±		±		DRWN: RSTONE		2019/08/20		1300068169	
ANGULAR TOL ± °		°		APPR: BWOODMAN		2019/08/28		PSD 000 B2	
DRAFT WHERE APPLICABLE MUST REMAIN WITHIN DIMENSIONS		THIRD ANGLE PROJECTION		DRAWING		SERIES		MATERIAL NUMBER	
		C-SIZE		130006		SEE TABLE		GENERAL MARKET	
								SHEET NUMBER	
								1 OF 1	