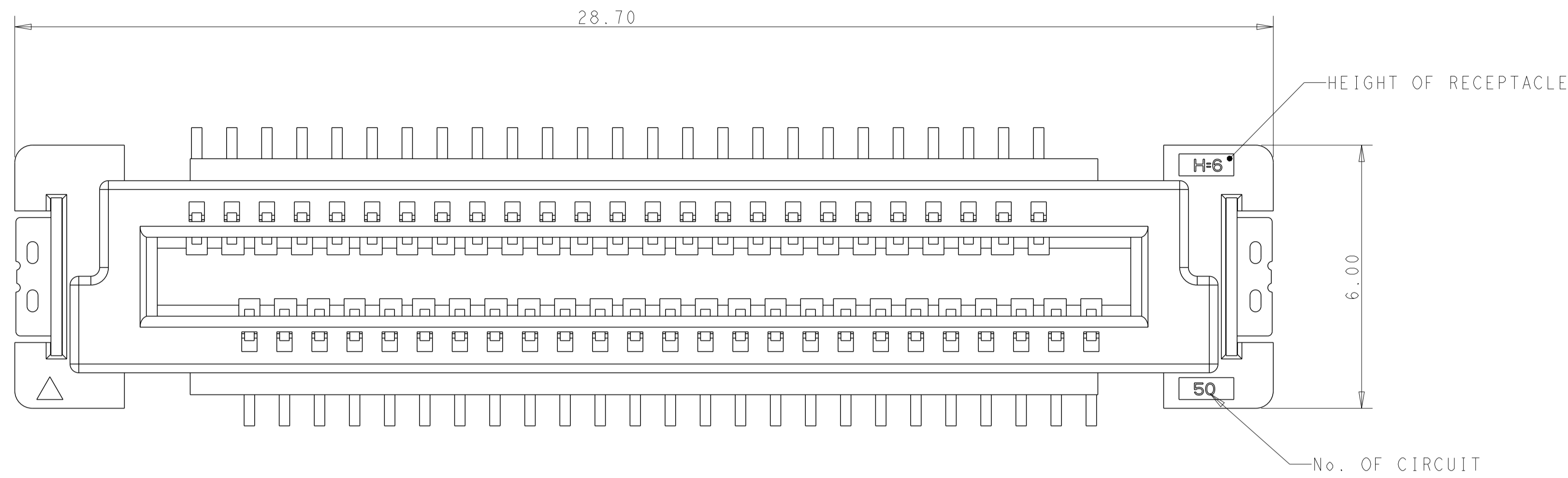
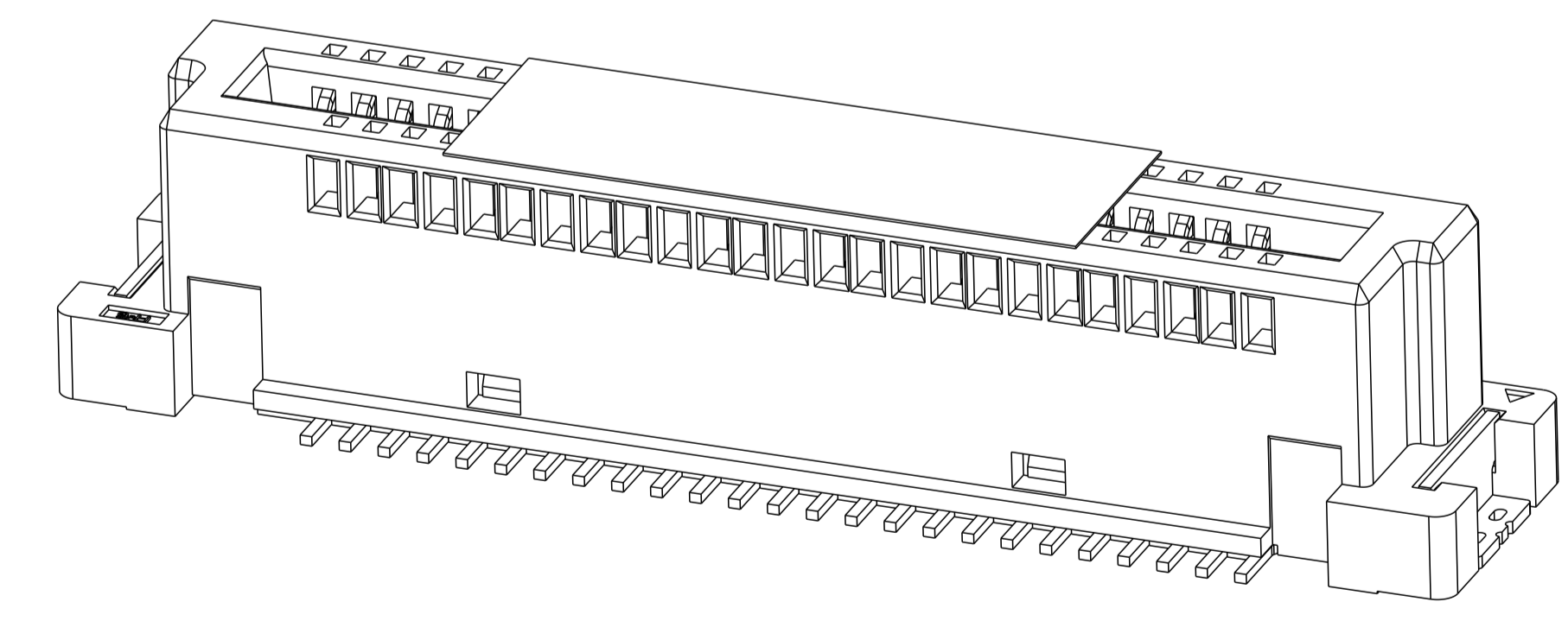
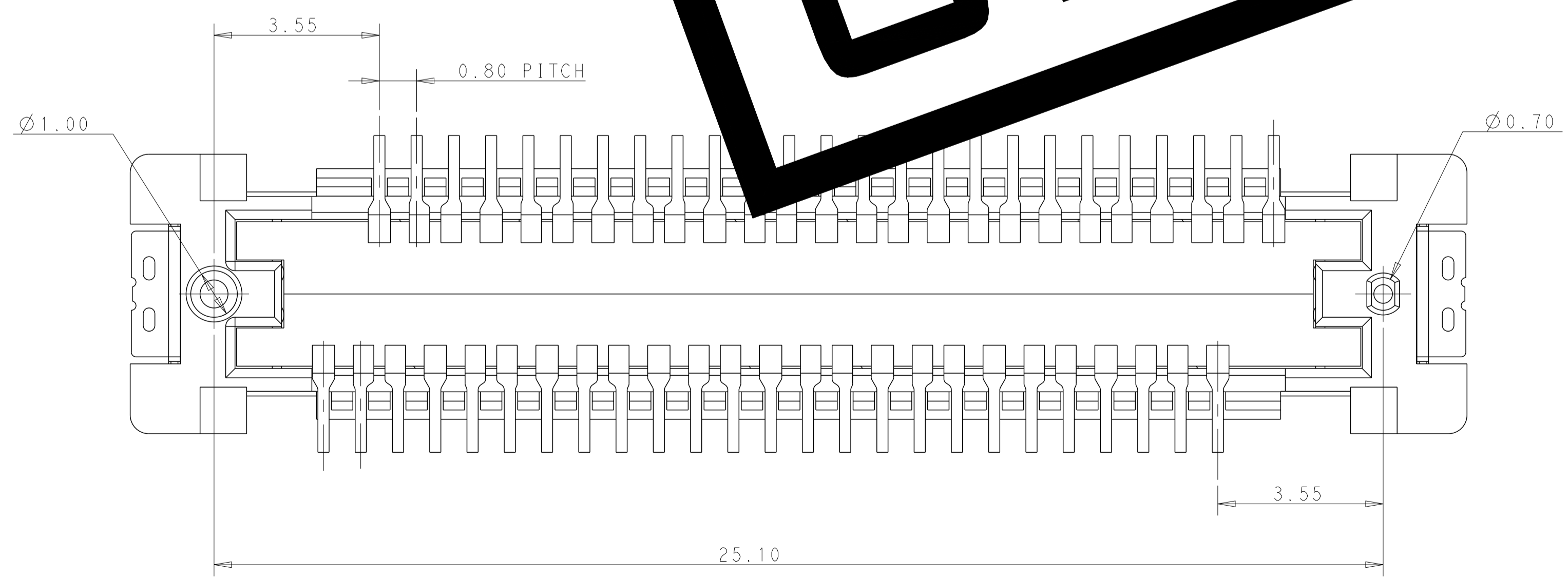
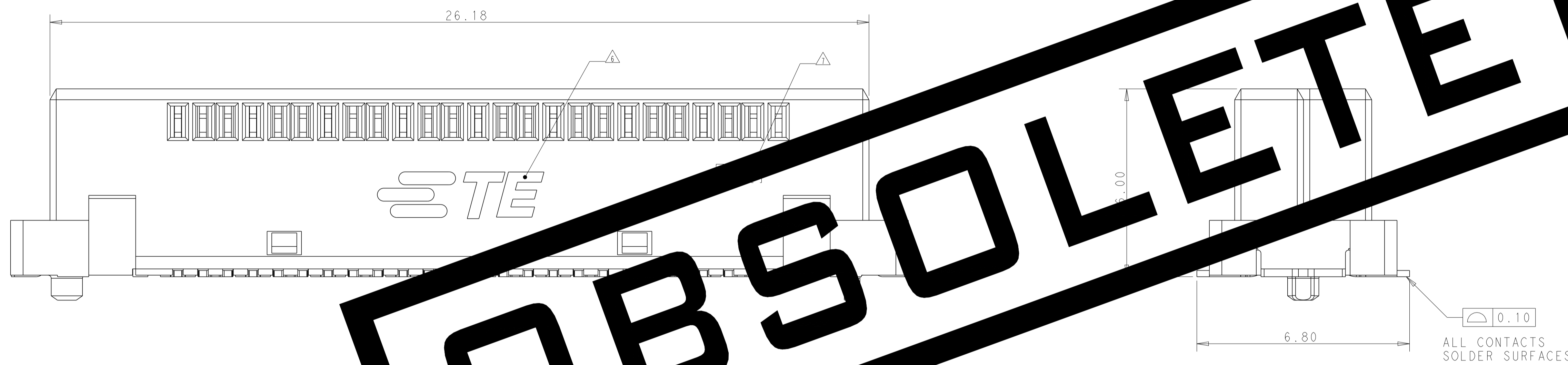


REVISIONS				
P.	LTN.	DESCRIPTION	DATE	APVD.
6		ADD DIMENSIONS AND P/N LIST	24AUG2018	A.L



- NOTE:
- 1 MATERIAL:  
HOUSING AND CONTACT OVERMOLD: LCP, BLACK.  
MYLAR: KAPTON FILM.  
CONTACTS: COPPER ALLOY.
  - 2 FINISH:  
UNDERPLATE: 1.27um MIN. NICKEL ALL OVER.  
ENGAGEMENT AREA: SEE P/N LIST.  
SOLDERING AREA: 2.54um MIN. MATTE TIN
  - 3 DATUM AND BASIC DIMENSION ESTABLISHED BY CUSTOMER.
  - 4. DESIGNED FOR A 1.00 MIN THICK PC BOARD.
  - 5 RECOMMENDED COMPONENT KEEP OUT AREA.
  - 6 TE CONNECTIVITY LOGO MARKED IN APPROXIMATE AREA SHOWN.
  - 7 PART AND DATE CODE MARKED IN APPROXIMATE AREA SHOWN.



SCALE 8:1  
50PINS 6H RECEPTACLE CONNECTOR WITH MAYLAR

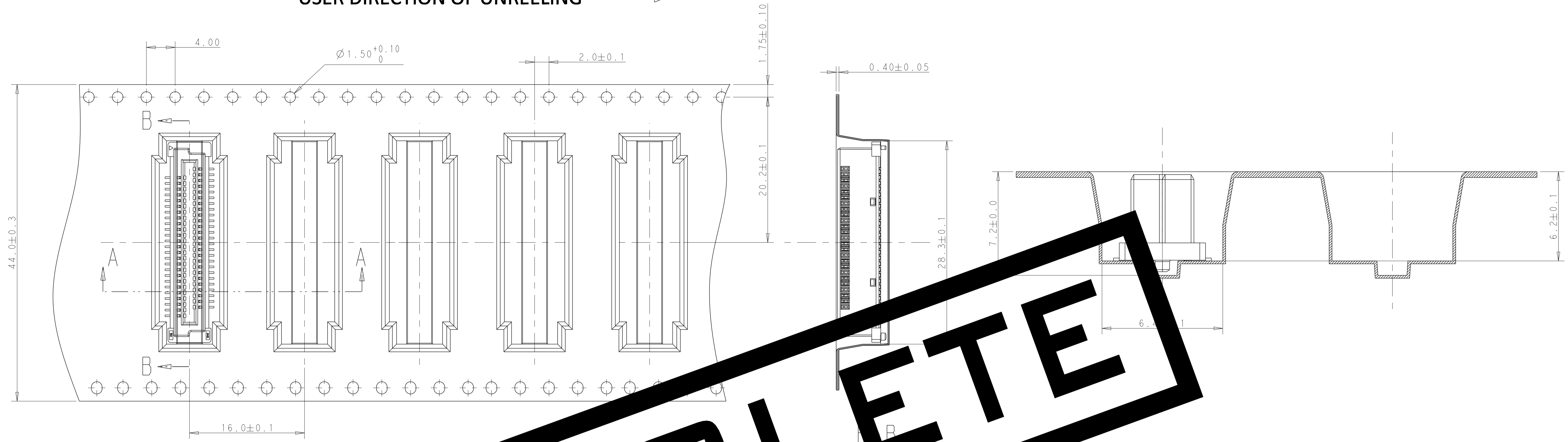
**OBSOLETE**

THIS DRAWING IS A CONTROLLED DOCUMENT.		OWN: Stone, Su	17MAY2017	TE Connectivity	
DIMENSIONS:		CHK:	APVD:	NAME: FH BTB FAMILY	
mm		TOLERANCES UNLESS OTHERWISE SPECIFIED:		PRODUCT SPEC: 108-115138	
0 PLC ±0.2		1 PLC ±0.15		APPLICATION SPEC: 114-115019	
2 PLC ±0.05		3 PLC ±0.005		SIZE: A1	
4 PLC ±0.005		ANGLES ±0.2°		CAGE CODE: 2316373	
MATERIAL:		FINISH:		RESTRICTED TO:	
△:		△:		SCALE: 6:1	
CUSTOMER DRAWING		SHEET 1 OF 4		REV 6	

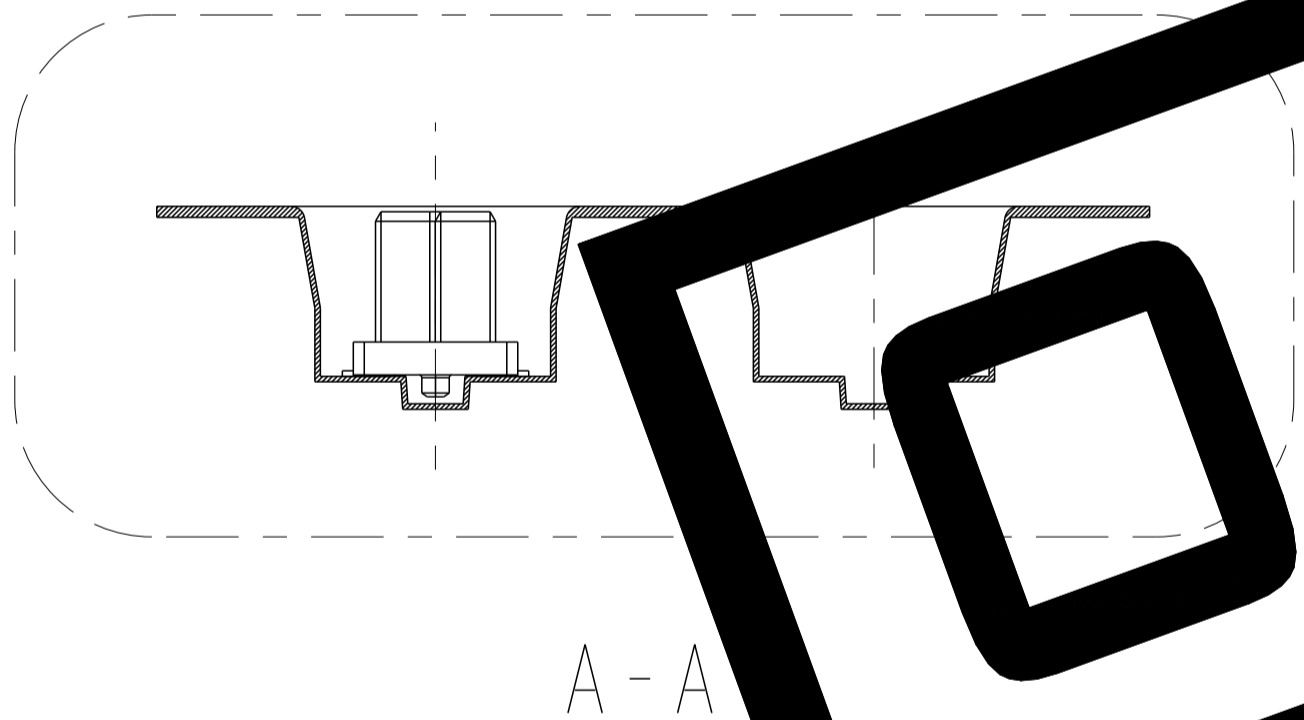


REVISIONS				
P	LTN	DESCRIPTION	DATE	APVD
-	-	SEE SHEET 1	-	-

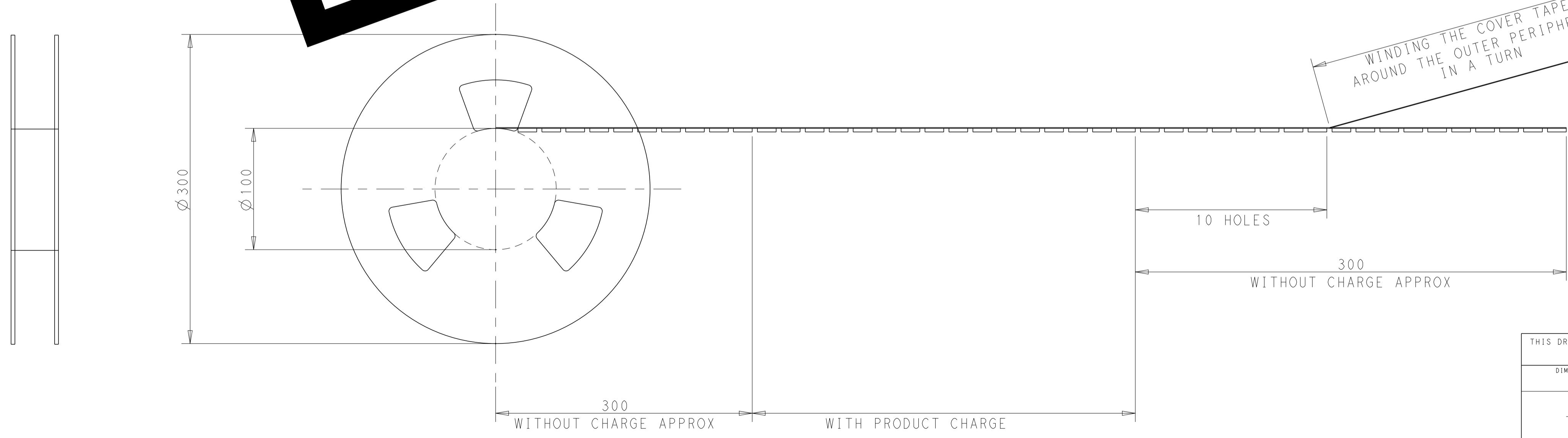
USER DIRECTION OF UNREELING →



**OBSELETE**



WINDING THE COVER TAPE AROUND THE OUTER PERIPHERY IN A TURN



NOTE:  
10. 560 PCS /REEL

THIS DRAWING IS A CONTROLLED DOCUMENT.		DMN Stone, Su 17MAY2017	TE Connectivity	
DIMENSIONS: mm		CHK -		
TOLERANCES UNLESS OTHERWISE SPECIFIED:		APVD -	NAME FH BTB FAMILY	
0 PLC	±0.2	PRODUCT SPEC		
1 PLC	±0.15	108-115138		
2 PLC	±0.05	APPLICATION SPEC		
3 PLC	±0.005	114-115019		
4 PLC	±0.005	SIZE CAGE CODE DRAWING NO RESTRICTED TO		
ANGLES	*2°	A1 - C=2316373		
MATERIAL	-	WEIGHT		
FINISH	-	CUSTOMER DRAWING		
		SCALE 6:1		SHEET 3 OF 4 REV 6

REVISIONS				
P	LTN	DESCRIPTION	DATE	APVD
-	-	SEE SHEET 1	-	-

PART NO : X-2316373-X

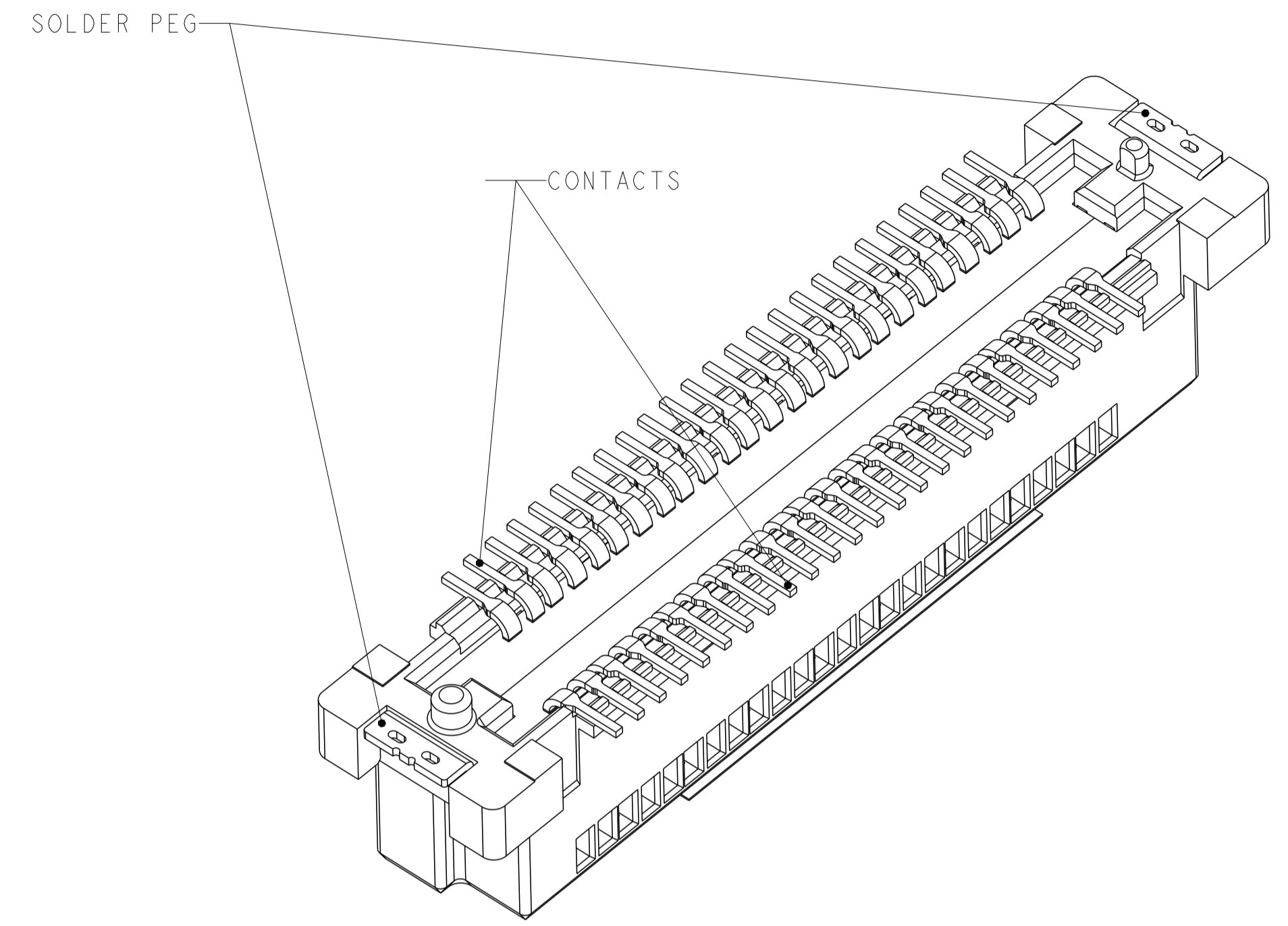
- BLANK: 30u"Au PLATED & TAPE AND REEL
- 1: 30u"Au PLATED & TUBE
- 2: 8u"Au PLATED & TAPE AND REEL
- 3: 8u"Au PLATED & TUBE
- 4: FLASH GOLD Au PLATED & TAPE AND REEL
- 5: FLASH GOLD PLATED & TUBE
- 6: RESERVED
- 7: RESERVED
- 8: RESERVED
- 9: RESERVED

- 1: 50POS & WITH MYLAR
- 2: 50POS & WITHOUT MYLAR
- 3: 100POS & WITH MYLAR
- 4: 100POS & WITHOUT MYLAR
- 5: 150POS & WITH MYLAR
- 6: 150POS & WITHOUT MYLAR
- 7: RESERVED
- 8: RESERVED
- 9: RESERVED

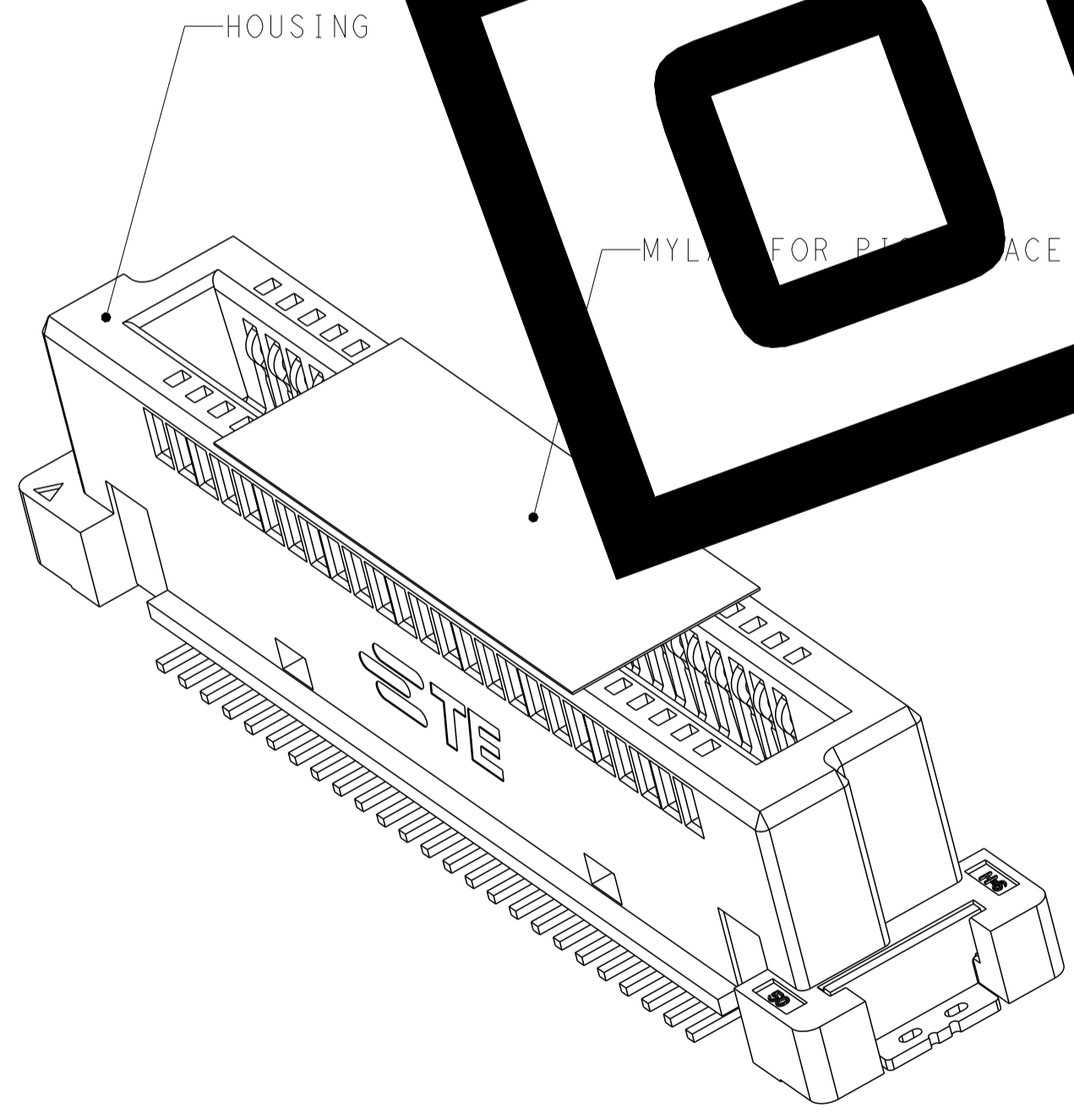
OBSOLETE

TABLE: P/N LIST

ASSY P/N	PACKAGE TYPE	MYLAR	PLATING Au TYPE
2316373-1	TAPE & REEL	YES	30u"
2316373-2	TAPE & REEL	NO	
1-2316373-1	TUBE	YES	
1-2316373-2	TUBE	NO	8u"
2-2316373-1	TAPE & REEL	YES	
2-2316373-2	TAPE & REEL	NO	
3-2316373-1	TUBE	YES	FLASH GOLD
3-2316373-2	TUBE	NO	
4-2316373-1	TAPE & REEL	YES	
4-2316373-2	TAPE & REEL	NO	
5-2316373-1	TUBE	YES	FLASH GOLD
5-2316373-2	TUBE	NO	



SCALE 8:1



SCALE 8:1

THIS DRAWING IS A CONTROLLED DOCUMENT.		DMN: Stone, Su 17MAY2017	TE Connectivity
DIMENSIONS: mm		CHK: -	
TOLERANCES UNLESS OTHERWISE SPECIFIED: 0 PLC ±.2 1 PLC ±0.15 2 PLC ±0.15 3 PLC ±0.05 4 PLC ±0.005 ANGLES ±.2° FINISH -		APVD: -	NAME: FH BTB FAMILY
MATERIAL: -		PRODUCT SPEC: 108-115138	APPLICATION SPEC: 6MM HEIGHT RECEPTACLE CONNECTOR
FINISH: -		SIZE: A1	RESTRICTED TO: -
CUSTOMER DRAWING		SCALE: 6:1	SHEET 4 OF 4 REV 6