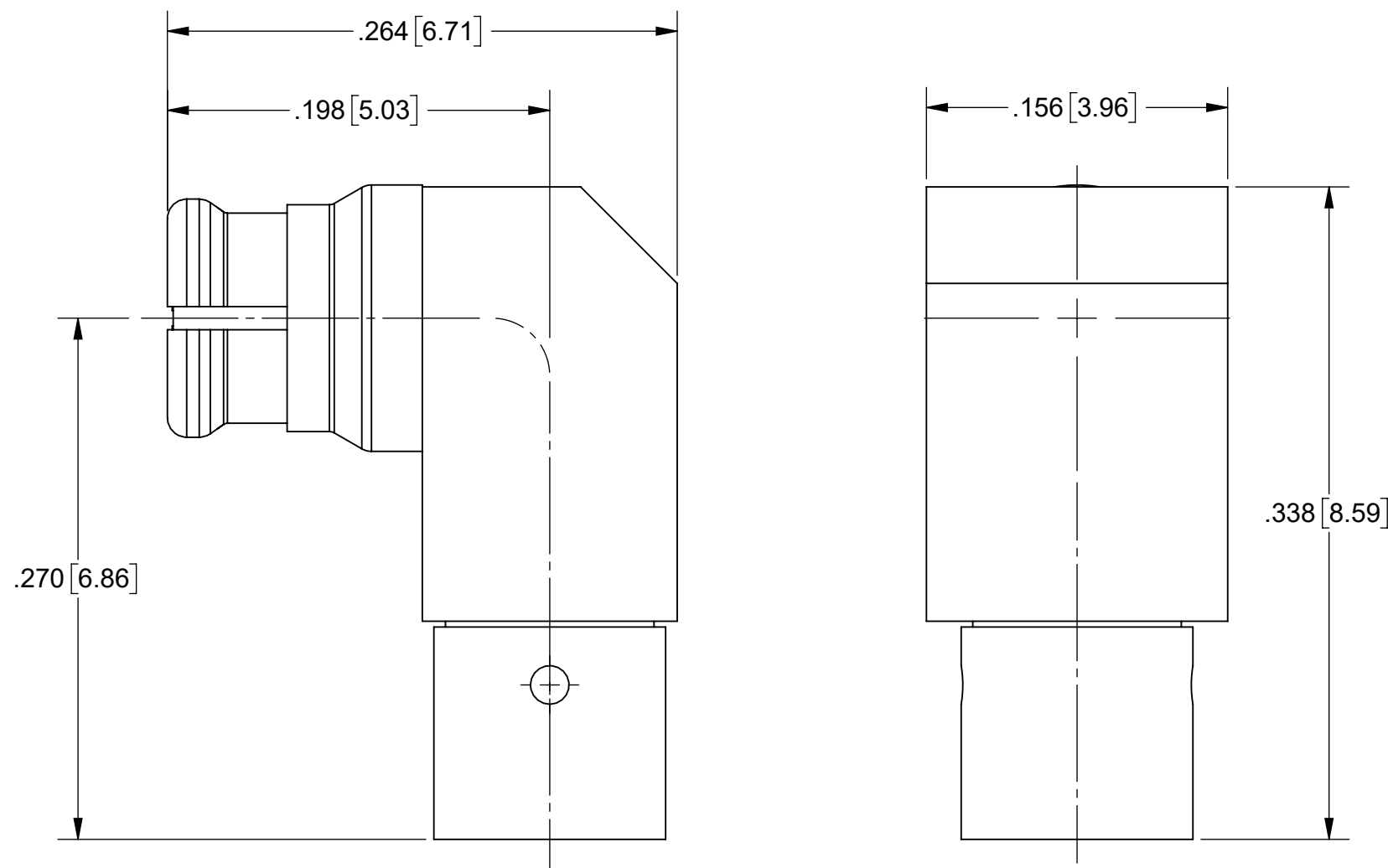
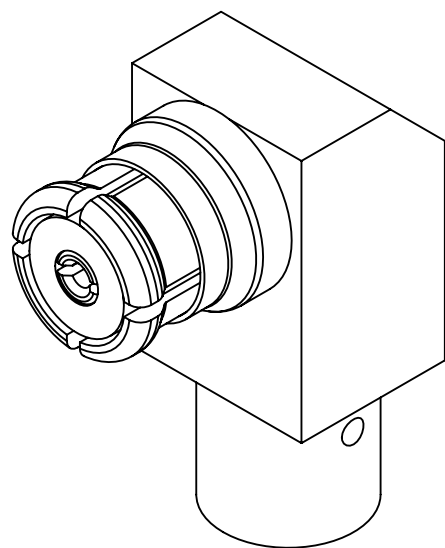


# PRODUCT DATA DRAWING

| REVISION HISTORY |             |       |          |
|------------------|-------------|-------|----------|
| REV              | DESCRIPTION | DATE  | APPROVED |
| A                | DCN 41510   | 07/15 | STW      |
| B                | DCN 49152   | 07/19 | STW      |



**MATERIAL:**

BODY, ANTI-ROCK RING & CONTACT: BERYLLIUM COPPER  
 INSULATOR: PTFE  
 CABLE STOP: PCTFE

**FINISH:**

BODY, ANTI-ROCK RING & CONTACT: GOLD OVER NICKEL

**PERFORMANCE:**

IMPEDANCE: 50 OHMS  
 FREQ. RANGE: DC TO 40.0 GHz.  
 VSWR: 1.30:1 DC TO 40.0 GHz.  
 INSERTION LOSS: .12 X SQRT(F(F IN GHz))

|                                                                                                                                                                                                               |                                                                                          |                                                                                                                                                                                                                                                                                                                               |                                                                                                              |
|---------------------------------------------------------------------------------------------------------------------------------------------------------------------------------------------------------------|------------------------------------------------------------------------------------------|-------------------------------------------------------------------------------------------------------------------------------------------------------------------------------------------------------------------------------------------------------------------------------------------------------------------------------|--------------------------------------------------------------------------------------------------------------|
| MATERIAL: SEE NOTES                                                                                                                                                                                           | DIMENSIONS ARE IN INCHES TOLERANCES:<br>FRACTIONAL: ±1/64 ANGULAR: X° ±1°0'<br>X'X' ±15' | UNLESS OTHERWISE SPECIFIED<br>1) ALL DIMENSIONS ARE IN INCHES (MILLIMETERS)<br>2) ALL DIMENSIONS ARE AFTER PLATING.<br>3) BREAK CORNERS & EDGES .005 R. MAX.<br>4) CHAM. 1ST & LAST THREADS.<br>5) SURFACE ROUGHNESS 63-MIL-STD-10.<br>6) DIA.'S ON COMMON CENTERS TO BE CONCENTRIC WITHIN .005 T.I.R.<br>7) REMOVE ALL BURRS | <br>2400 Centrepark West Drive, Suite 100<br>West Palm Beach, FL 33409<br>TITLE: SMP R/A JACK FOR .085 CABLE |
| FINISH: SEE NOTES                                                                                                                                                                                             | DECIMAL: X ±.030<br>.XX ±.010<br>.XXX ±.005                                              | INTERPRET DIMENSIONS AND TOLERANCES PER ASME Y14.5M - 1994                                                                                                                                                                                                                                                                    |                                                                                                              |
| SURFACE AREA: N/A                                                                                                                                                                                             | THIRD ANGLE PROJECTION                                                                   | DRAWN: HLP 11/29/07                                                                                                                                                                                                                                                                                                           | SIZE: B CAGE CODE: 95077 DWG. NO.: 1222-4005                                                                 |
| PROPRIETARY<br>THE INFORMATION CONTAINED IN THIS DRAWING IS THE SOLE PROPERTY OF SV MICROWAVE, INC. ANY REPRODUCTION IN PART OR AS A WHOLE WITHOUT THE WRITTEN PERMISSION OF SV MICROWAVE, INC IS PROHIBITED. |                                                                                          | CHECKED: STW 11/29/07                                                                                                                                                                                                                                                                                                         | SCALE: 12:1                                                                                                  |
|                                                                                                                                                                                                               |                                                                                          | APPROVED: STW 11/29/07                                                                                                                                                                                                                                                                                                        | SHEET 1 OF 1                                                                                                 |