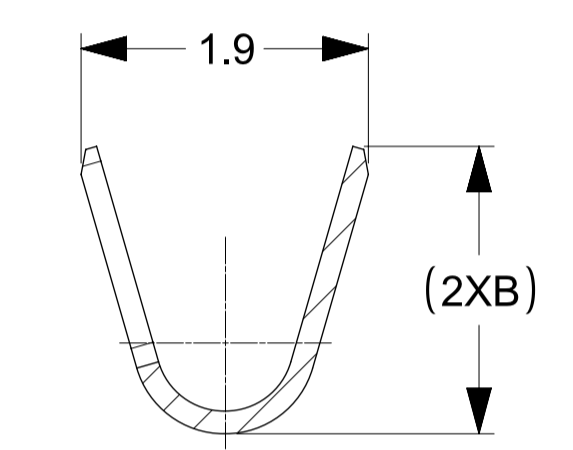
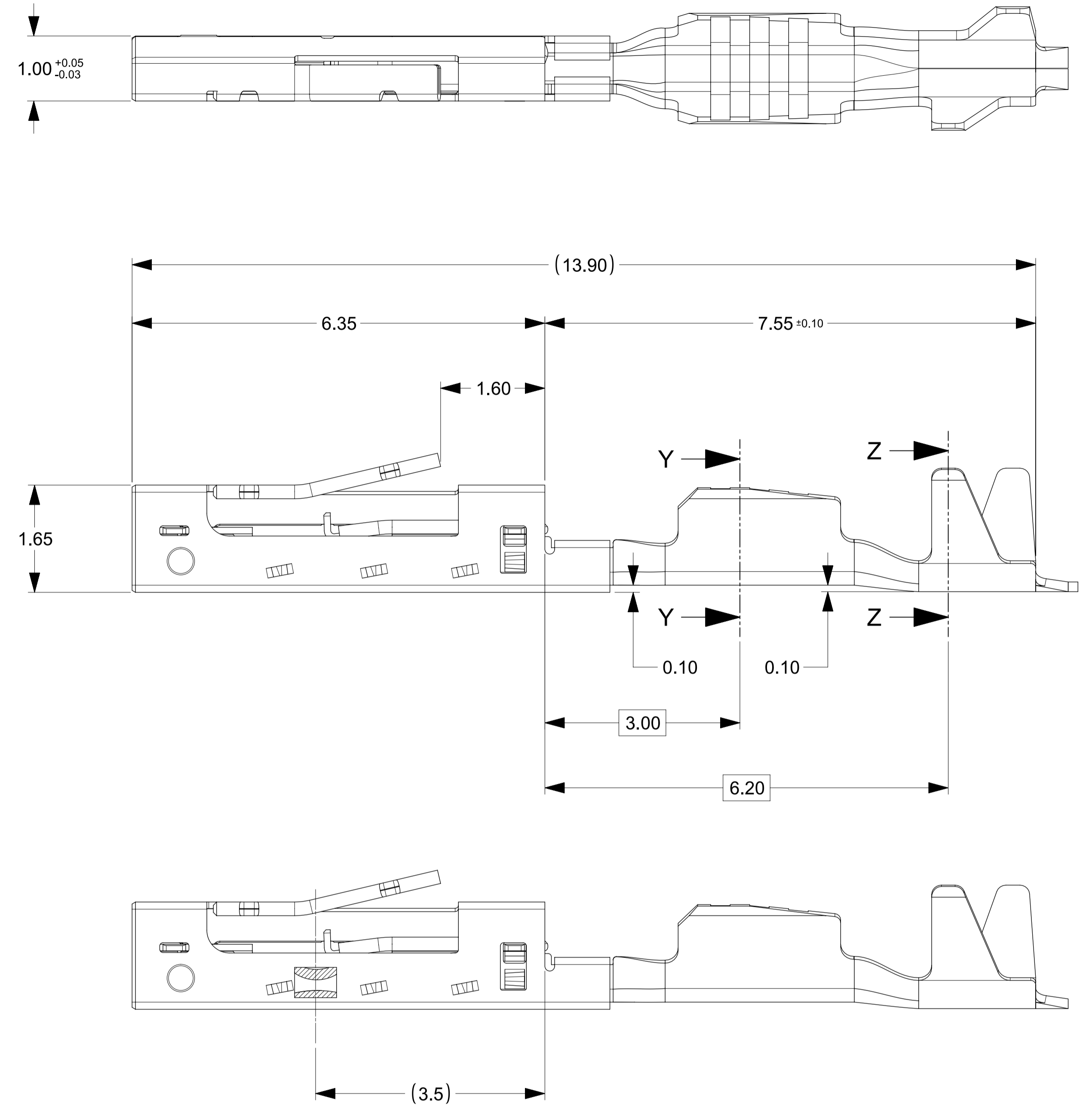
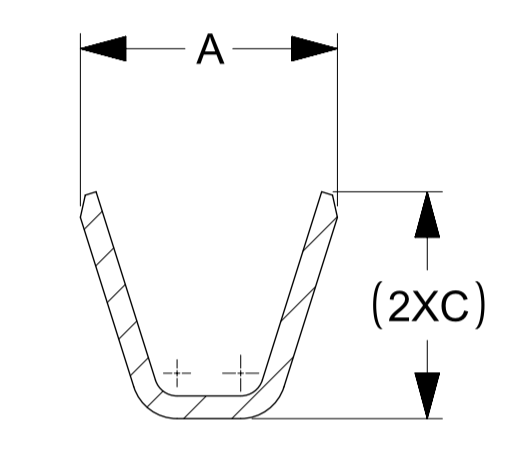


Part Number	DESCRIPTION	STATUS	Marking Type	Top Layer Plating Type	Grip Code	Wire Insulation OD - mm	Wire Size - mm ²	Pay Off Direction	Dimensions - mm			
									Dim A ± 0.12	Dim B	Dim C ± 0.10	Dim H
2000963101	TAK50 STANDARD WITH PIN INTERFERENCE IMPROVEMENTS	ACTIVE	LTG	Sn	L	1.20-1.30	0.35	D	1.70	1.9	1.50	0.17
2000963201			STG	Sn	S	0.95-1.05	0.13	D	1.60	1.8	1.25	0.17
2000963161			LTG	Sn	L	1.20-1.30	0.35	B	1.70	1.9	1.50	0.17
2000963261			STG	Sn	S	0.95-1.05	0.13	B	1.60	1.8	1.25	0.17



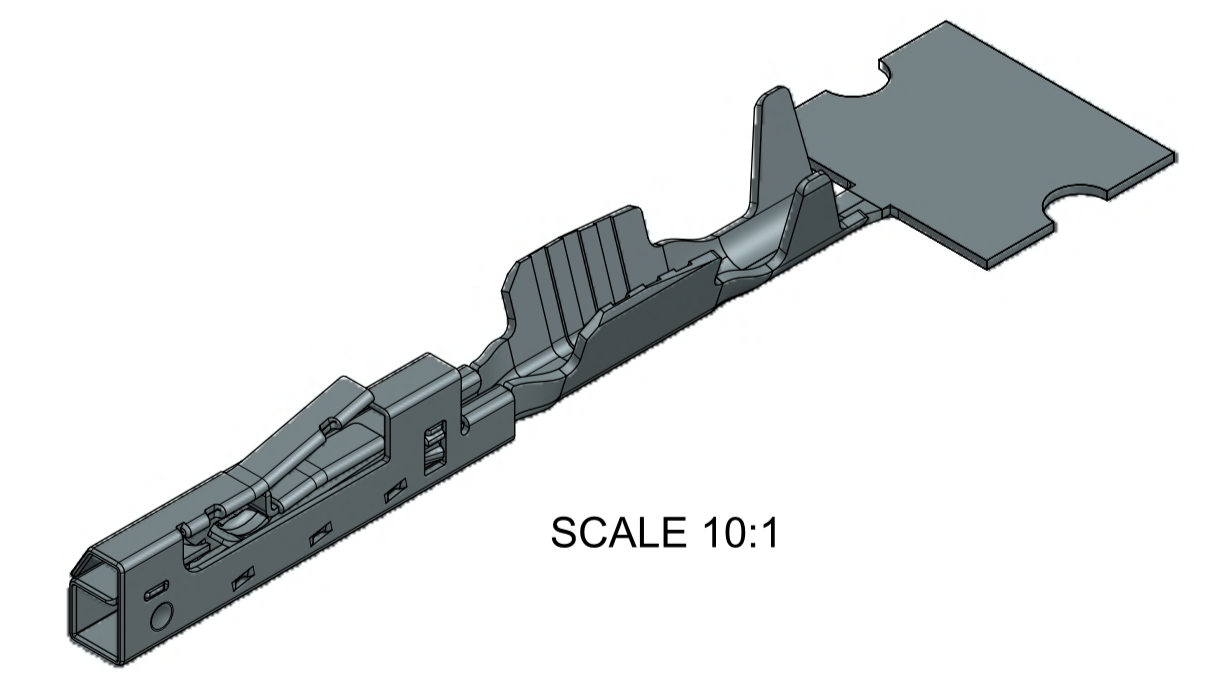
SECTION Z-Z



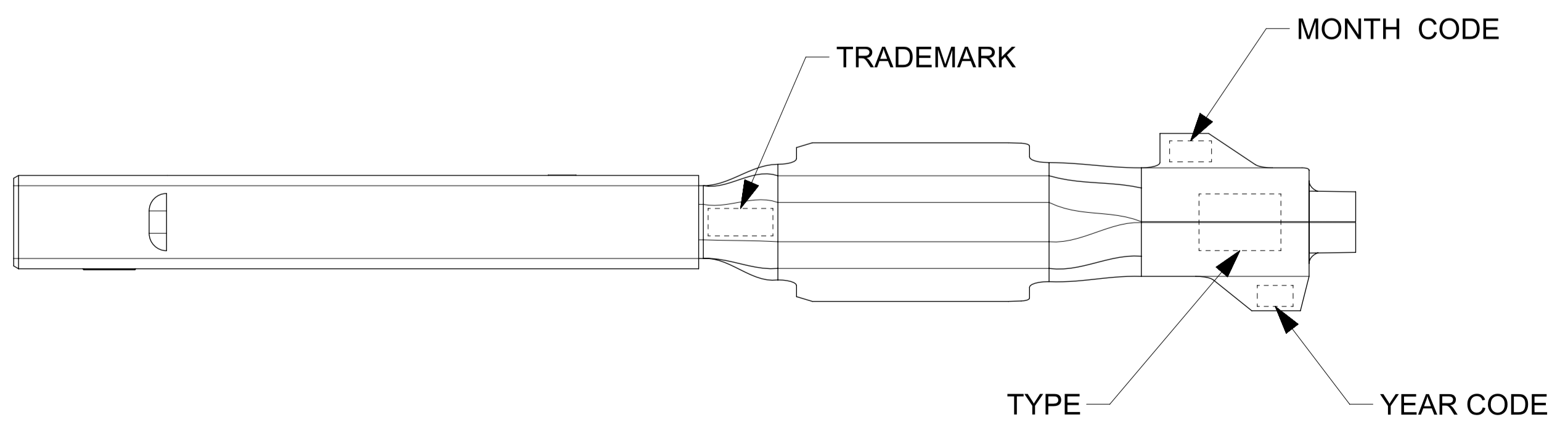
SECTION Y-Y

NOTES: (UNLESS OTHERWISE SPECIFIED)

- MATERIAL:
 - BODY: COPPER ALLOY
 - SLEEVE: STAINLESS STEEL
- PLATING: SEE TABLE 1
- PACKAGING SPEC: 313025040
- CRIMPING SPEC: 2000960001
- PRODUCT SPEC: 2000960000
- PROBING THE CONTACT INTERFACE OF THE TERMINAL OR AT ANY POINT ON THE TERMINAL BEAM IS NOT PERMITTED



SCALE 10:1



THIS DRAWING CONTAINS INFORMATION THAT IS PROPRIETARY TO MOLEX ELECTRONIC TECHNOLOGIES, LLC AND SHOULD NOT BE USED WITHOUT WRITTEN PERMISSION													
DIMENSION UNITS mm		SCALE 20:1		CURRENT REV DESC:									
GENERAL TOLERANCES (UNLESS SPECIFIED)		EC NO: 679926		DRWN: SMAHADIK		2021/09/29						MOLEX TAK50_WR_TERM_RCPT UNSEALED	
ANGULAR TOL ± 1.0°		4 PLACES ± 0.01		CHK'D: SMAHADIK		2021/09/29		PRODUCT CUSTOMER DRAWING					
3 PLACES ± 0.015		2 PLACES ± 0.05		APPR: BMOSER		2021/10/07		DOCUMENT NUMBER					
1 PLACE ± 0.1		0 PLACES ± 0.2		INITIAL REVISION:		DRWN: KSUTAR		2021/06/02		2000960004		DOC TYPE DOC PART REVISION	
DRAFT WHERE APPLICABLE MUST REMAIN WITHIN DIMENSIONS		THIRD ANGLE PROJECTION		DRAWING		SERIES		MATERIAL NUMBER		CUSTOMER		SHEET NUMBER	
		A1-SIZE		200096		SEE TABLE		GENERAL MARKET		1 OF 1			