

General Specifications

Motor Protection:

Auto Restart

Insulation Resistance:

10M Ω or over with a DC500V Megger

Dielectric Withstand Voltage: AC 700V 1s

Allowable Ambient Temperature Range:

J Class: -10°C ~ +70°C (Operating)

K Class: -10°C ~ +60°C (Operating)

All Class: -40°C ~ +70°C (Storage)
(non-condensing environment)

Expected Life

25°C 100,000 Hours (L10)

Material

Casing : Plastic (Black) UL94V-0

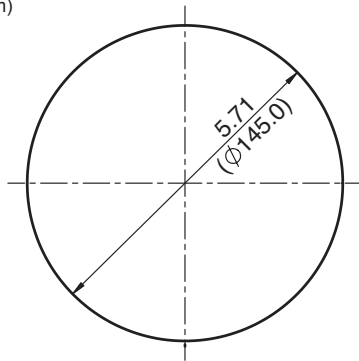
Impeller : Plastic (Black) UL94V-0

Bearing : Ball Bearing

Lead Wire : UL1007, AWG24, +Red, -Black

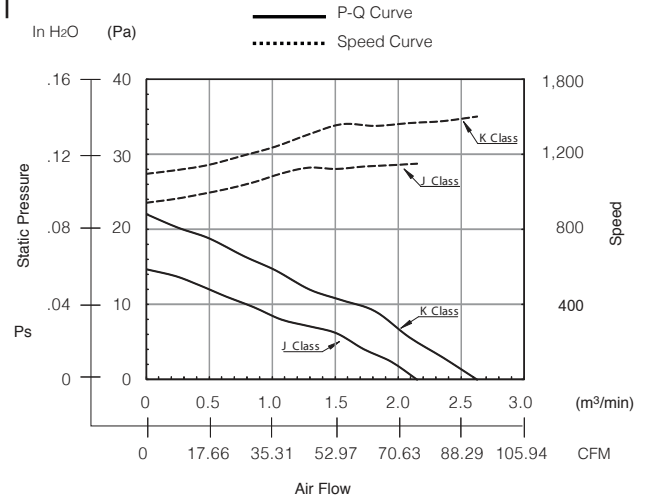
Panel Cut-Outs

Units: $\frac{\text{inch}}{\text{mm}}$

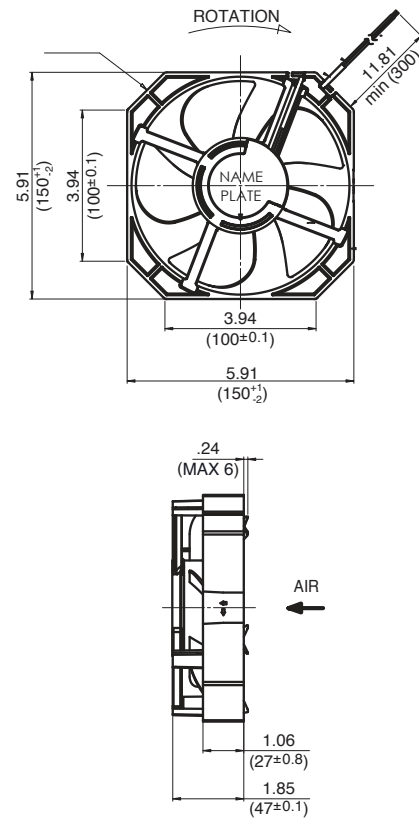


INLET SIDE

Characteristic Curves



Outline



Specifications

MODEL	Rated Voltage	Operating Voltage	Current	Input Power	Speed	Max. Air Flow		Max. Static Pressure		Noise	Mass
	(V)	(V)	(A) ^{*1}	(W) ^{*1}	(min ⁻¹) ^{*1}	CFM ⁻¹	(m³/min) ⁻¹	in H ₂ O	(Pa) ⁻¹	(dB) ⁻¹	(g)
15047JA-12J-YA-00	12	8.0 ~ 13.8	0.12	1.44	1150	75.93	2.15	.06	14.6	25.5	315
15047JA-12K-YA-00	12	8.0 ~ 13.8	0.19	2.28	1400	91.82	2.60	.09	21.5	32.0	315

Rotation: Clockwise

Airflow Outlet: Air Out Over Struts

*1: Average Values in Free Air

Note: PWM/Locked Rotor/Tach Available