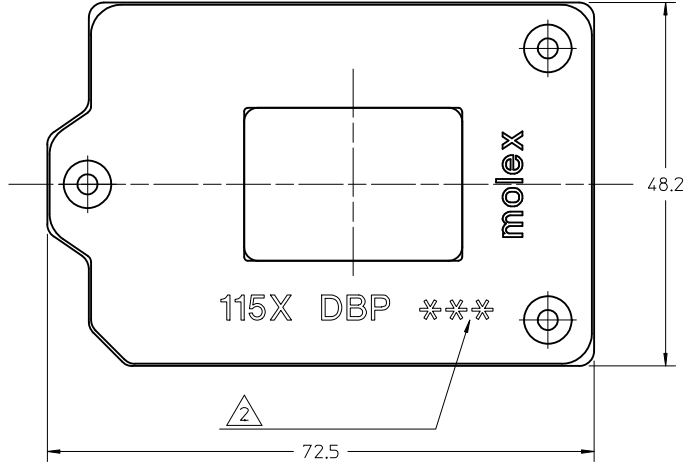
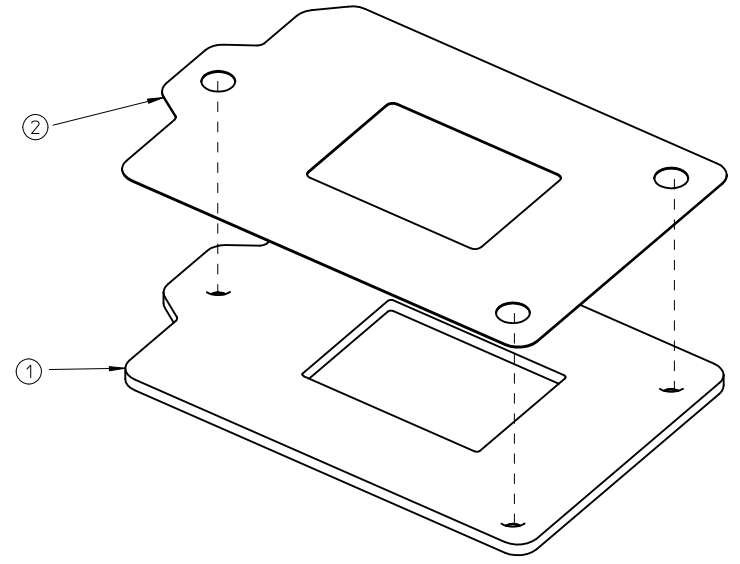
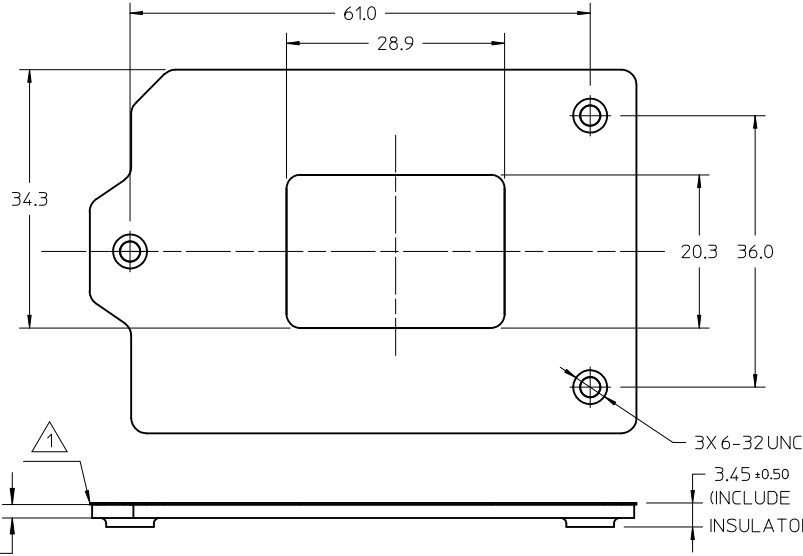


10 9 8 7 6 5 4 3 2 1



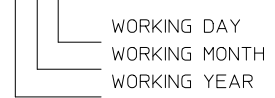
47596-8813	WITH HALOGEN FREE
PART NO.	DESCRIPTION

BILL OF MATERIAL			
ITEM NO	QTY	DESCRIPTION	MATERIAL
①	1	ILM BACK PLATE ASSEMBLY	
①	1	ILM BACK PLATE	STEEL WITH NICKEL PLATING
②	1	ILM BACK PLATE INSULATOR	POLYCARBONATE FILM

NOTES:

① INSULATOR OVERHANGS ALL EXTERNAL EDGES.

② INK PRINTED DATE CODE: \* \* \*



- 3. 6-32 UNC MIN. 3MM THREAD DEPTH
- 4. PART IS COMPLAINT TO RoHS DIRECTIVE 2002/95/EC AND ELV 2000/53/EC.

ENTER DESCRIPTION	DRWN: YXZHENG	2012/04/06	2012/04/06
EC NO: SH2012-0350	CHKD:		
	APPR: AYIN		
REV	DESCRIPTION		

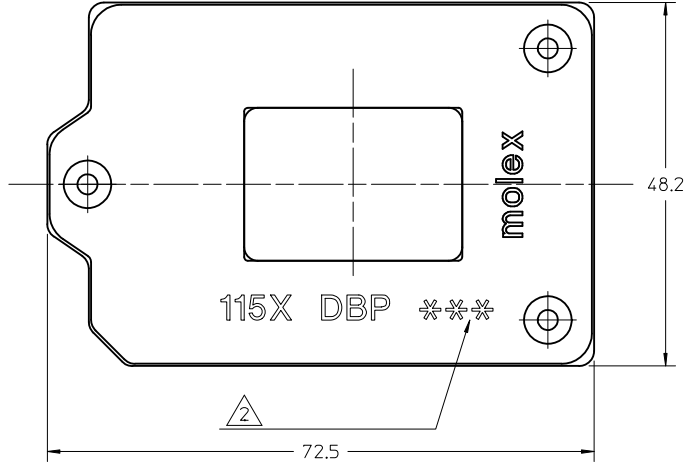
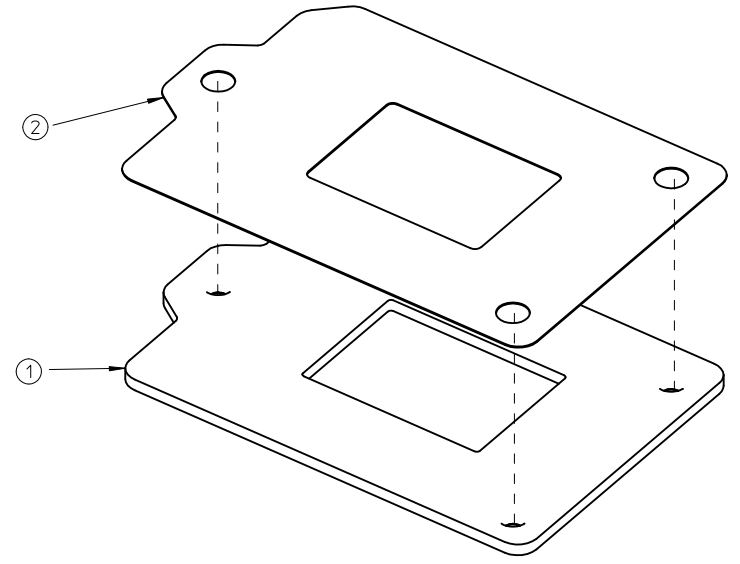
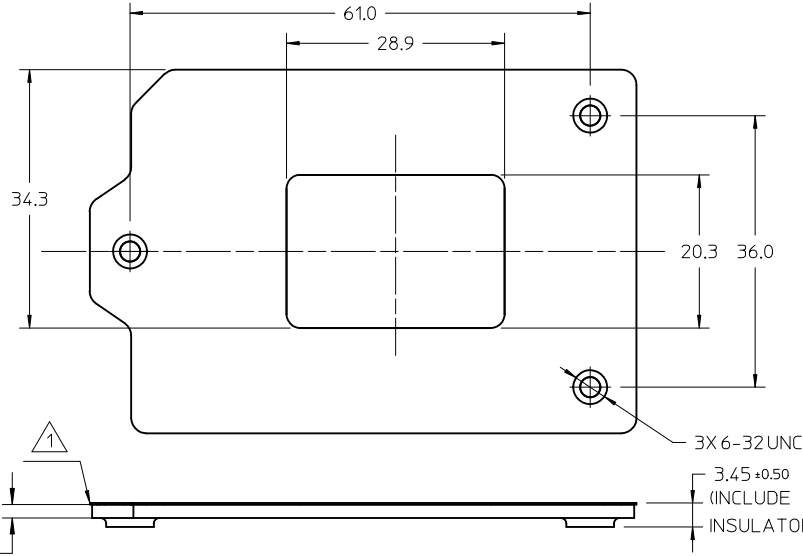
QUALITY SYMBOLS	GENERAL TOLERANCES (UNLESS SPECIFIED)	
	mm	INCH
$\nabla = 0$	4 PLACES $\pm .005$	$\pm .0004$
$\nabla = 0$	3 PLACES $\pm .005$	$\pm .0004$
$\nabla = 0$	2 PLACES $\pm .005$	$\pm .0004$
	1 PLACE $\pm 0.25$	$\pm .010$
	ANGULAR $\pm 2^\circ$	

DIMENSION STYLE		SCALE	DESIGN UNITS	THIRD ANGLE PROJECTION
MM ONLY		2:1	METRIC	
DRAWN BY	DATE	TITLE		
JGU007	2008/01/11	115X BACK PLATE ASSEMBLY		
CHECKED BY	DATE			
JKACHLIC	2008/01/11			
APPROVED BY	DATE			
CL IANG	2008/01/11			

MATERIAL NO.		DOCUMENT NO.	SHEET NO.
SEE TABLE		SD-47596-004	1 OF 1
THIS DRAWING CONTAINS INFORMATION THAT IS PROPRIETARY TO MOLEX INCORPORATED AND SHOULD NOT BE USED WITHOUT WRITTEN PERMISSION			

9 8 7 6 5 4 3 2 1

10 9 8 7 6 5 4 3 2 1



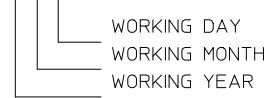
47596-8813	WITH HALOGEN FREE
PART NO.	DESCRIPTION

BILL OF MATERIAL			
ITEM NO	QTY	DESCRIPTION	MATERIAL
①	1	ILM BACK PLATE ASSEMBLY	STEEL WITH NICKEL PLATING
②	1	ILM BACK PLATE INSULATOR	POLYCARBONATE FILM

NOTES:

① INSULATOR OVERHANGS ALL EXTERNAL EDGES.

② INK PRINTED DATE CODE: \* \* \*



- 3. 6-32 UNC MIN. 3MM THREAD DEPTH
- 4. PART IS COMPLAINT TO RoHS DIRECTIVE 2002/95/EC AND ELV 2000/53/EC.

ENTER DESCRIPTION	DRWN: YXZHENG	2012/04/06	2012/04/06
EC NO: SH2012-0350	CHKD:		
	APPR: AYIN		
REV	DESCRIPTION		

QUALITY SYMBOLS	GENERAL TOLERANCES (UNLESS SPECIFIED)	
	mm	INCH
$\nabla = 0$	4 PLACES $\pm .005$	$\pm .0008$
$\nabla = 0$	3 PLACES $\pm .008$	$\pm .0010$
$\nabla = 0$	2 PLACES $\pm .010$	$\pm .0015$
	1 PLACE $\pm 0.25$	$\pm .0100$
	ANGULAR $\pm 2^\circ$	

DIMENSION STYLE		SCALE	DESIGN UNITS	THIRD ANGLE PROJECTION
MM ONLY		2:1	METRIC	
DRAWN BY	DATE	TITLE		
JGU007	2008/01/11	115X BACK PLATE ASSEMBLY		
CHECKED BY	DATE	MOLEX INCORPORATED		
JKACHLIC	2008/01/11	SD-47596-004		
APPROVED BY	DATE	SHEET NO.		
CL IANG	2008/01/11	1 OF 1		

MATERIAL NO.	DOCUMENT NO.	SHEET NO.
SEE TABLE	SD-47596-004	1 OF 1
THIS DRAWING CONTAINS INFORMATION THAT IS PROPRIETARY TO MOLEX INCORPORATED AND SHOULD NOT BE USED WITHOUT WRITTEN PERMISSION		

9 8 7 6 5 4 3 2 1