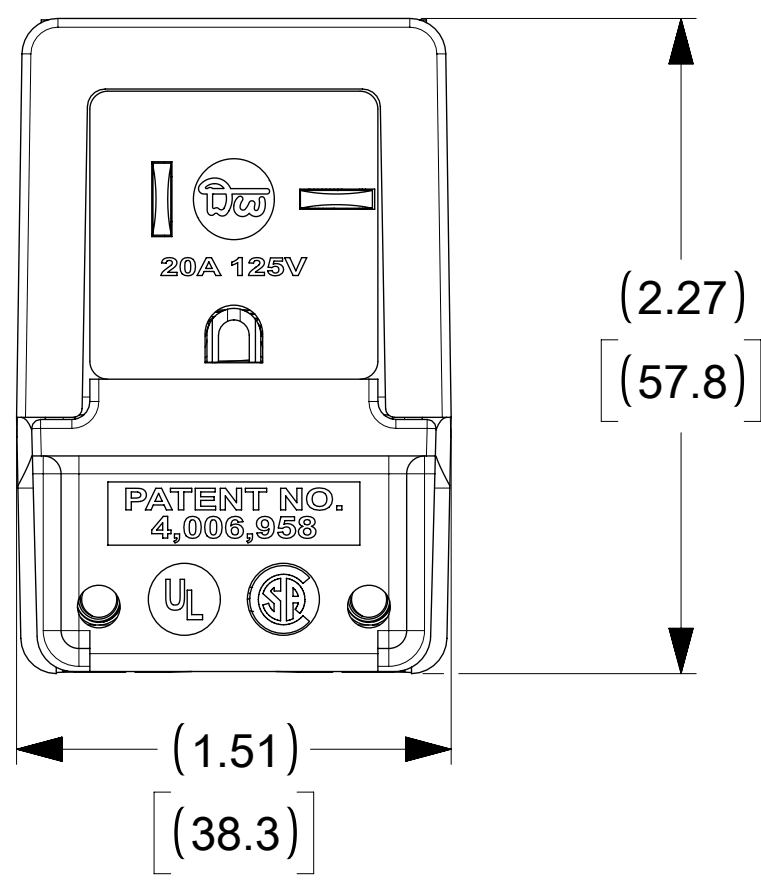
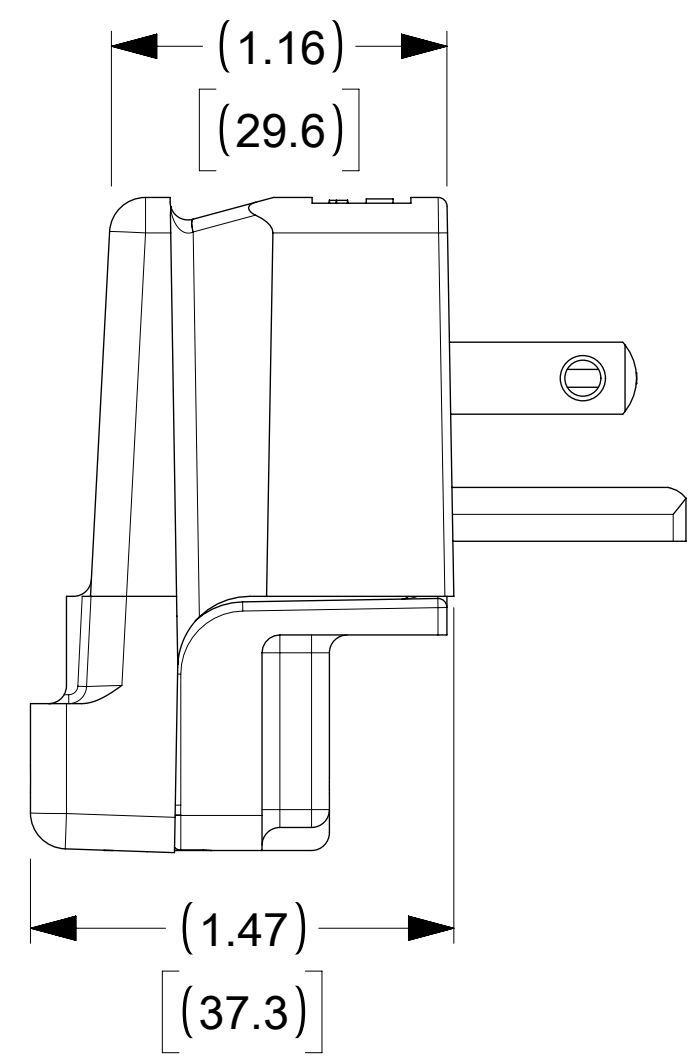
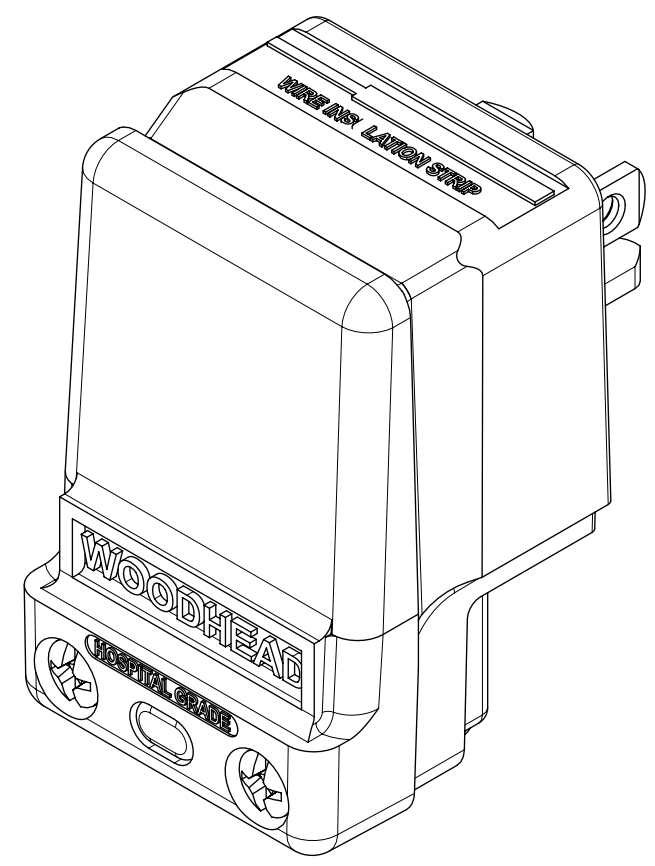
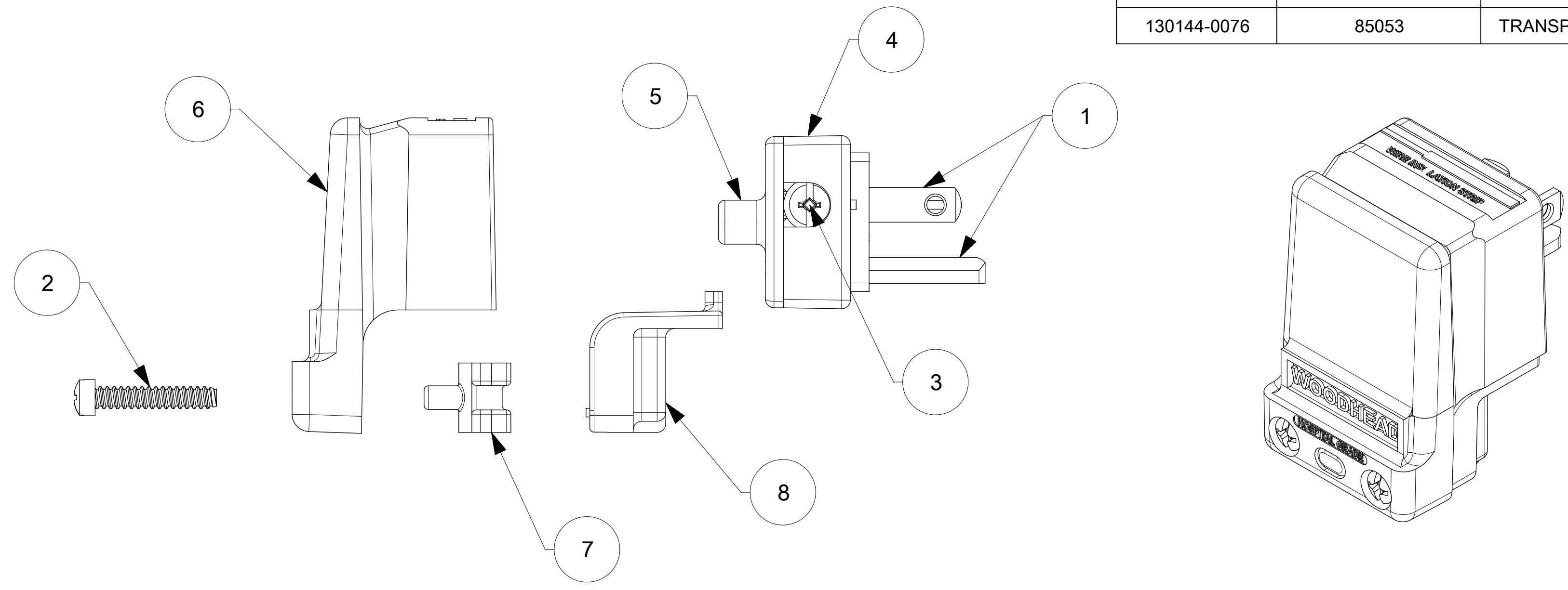
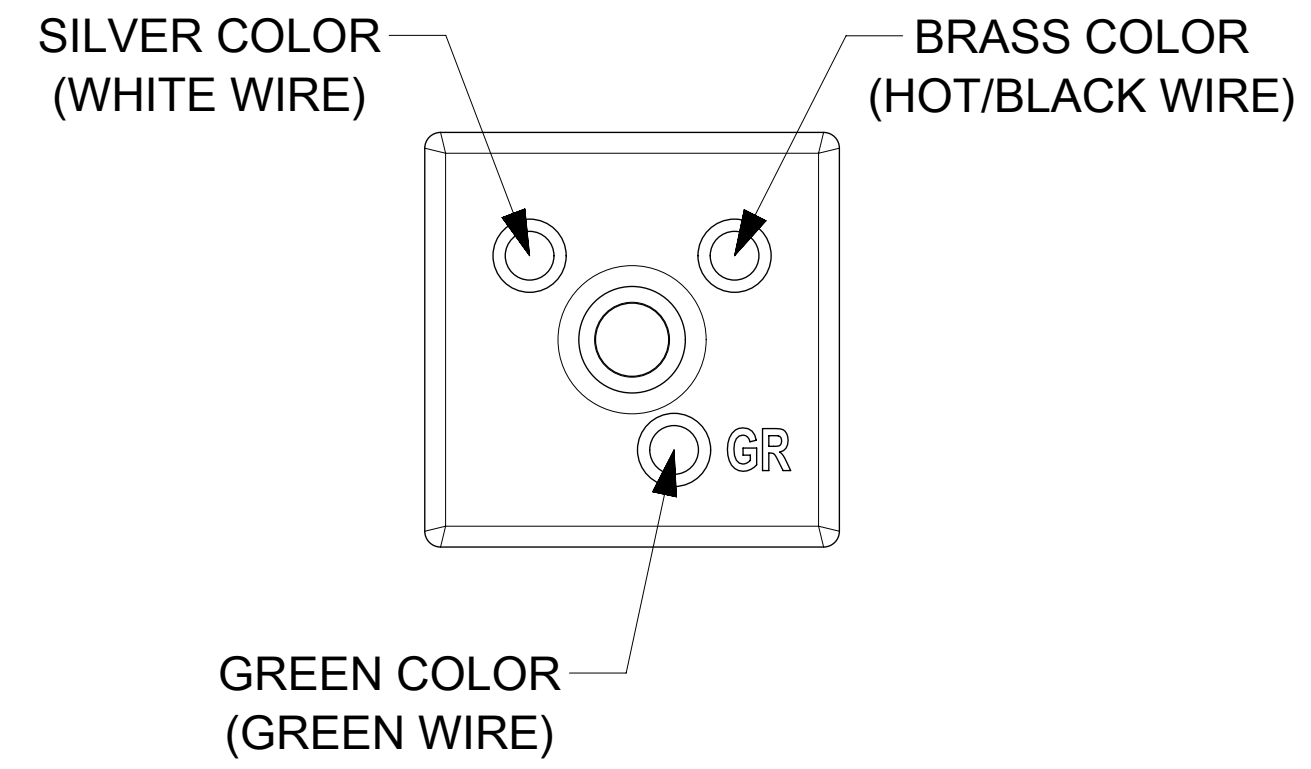


| | | |
|-------------|--------------|-------------|
| ORDER NO. | WOODHEAD NO. | COLOR |
| 130144-0076 | 85053 | TRANSPARENT |



WIRING TERMINATION



| ITEM NO. | DESCRIPTIONS | MATERIAL | QTY. |
|----------|--------------------------------|----------------------|------|
| 1 | BLADES | BRASS, NICKEL PLATED | 3 |
| 2 | RETAINING SCREWS | STAINLESS STEEL | 2 |
| 3 | TERMINAL SCREWS/CLAMP ASSEMBLY | BRASS, ZINC PLATED | 3 |
| 4 | BLADE HOUSING, FRONT | NYLON | 1 |
| 5 | BLADE HOUSING, BACK | NYLON | 1 |
| 6 | BODY & CLAMP HALF | NYLON | 1 |
| 7 | CLAMP INSERT | NYLON | 1 |
| 8 | CLAMP HALF | NYLON | 1 |

| | | | |
|---|------------------------|------------------------------------|------------------|
| THIS DRAWING CONTAINS INFORMATION THAT IS PROPRIETARY TO MOLEX ELECTRONIC TECHNOLOGIES, LLC AND SHOULD NOT BE USED WITHOUT WRITTEN PERMISSION | | | |
| DIMENSION UNITS INCH[MM] | SCALE NTS | CURRENT REV DESC: NEW RELEASE | |
| GENERAL TOLERANCES (UNLESS SPECIFIED) | | molex | |
| 4 PLACES ± | MM INCH | SAFEWAY RIGHT ANGLE PLUG 2P3W 5-20 | |
| 3 PLACES ± | | EC NO: 621926 | |
| 2 PLACES ± | | DRWN: VBASUTHKARP 2019/05/02 | |
| 1 PLACE ± | | CHK'D: DNGUYEN62 2020/07/02 | |
| 0 PLACES ± | | APPR: HKNEELAND 2020/08/31 | |
| ANGULAR TOL ± ° | | INITIAL REVISION: | |
| DRAFT WHERE APPLICABLE MUST REMAIN WITHIN DIMENSIONS | THIRD ANGLE PROJECTION | DRAWING SERIES | DOCUMENT NUMBER |
| | | C-SIZE | 130144 |
| | | MATERIAL NUMBER | CUSTOMER |
| | | SEE TABLE | GENERAL MARKET |
| | | DOC TYPE DOC PART REVISION | |
| | | 1301440076 | PSD 000 A |
| | | SHEET NUMBER | 1 OF 1 |