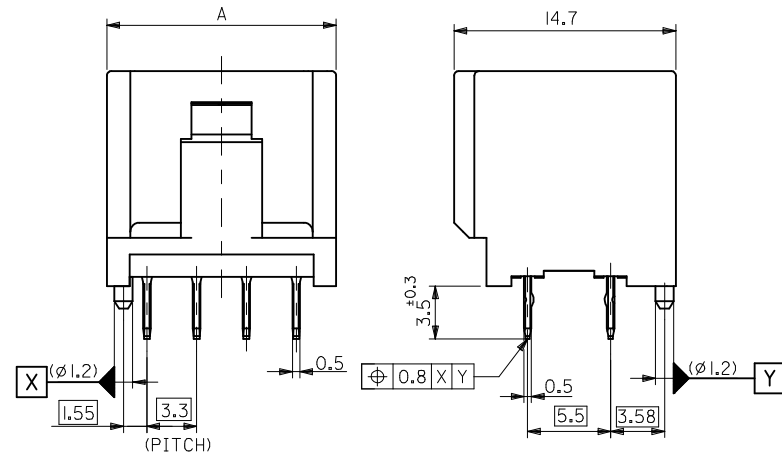
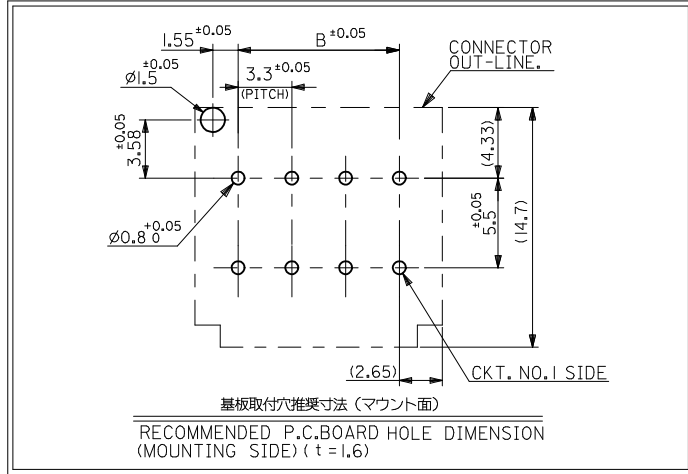
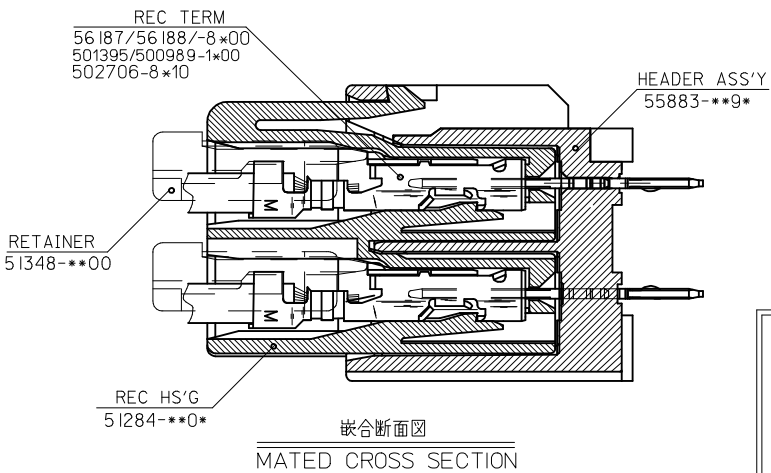
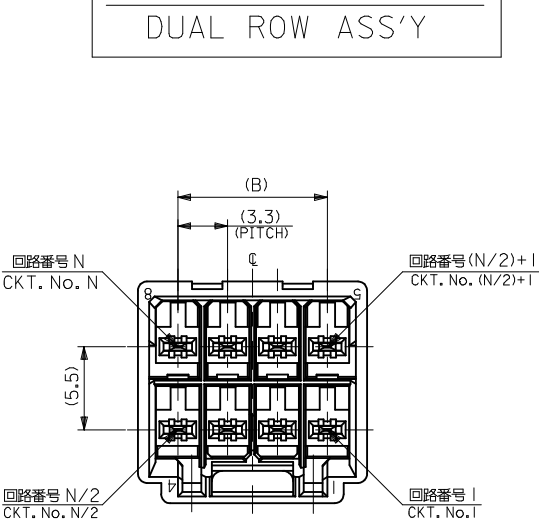


本図は2列品を示す
DUAL ROW ASS'Y

注記
NOTES

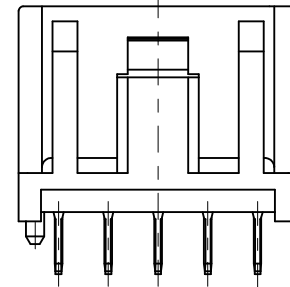
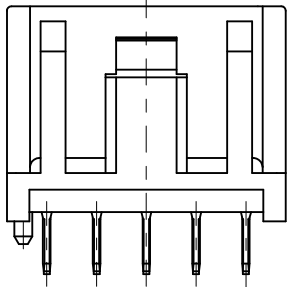
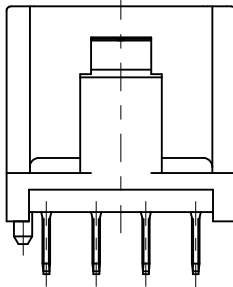
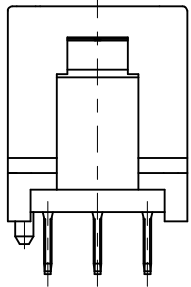
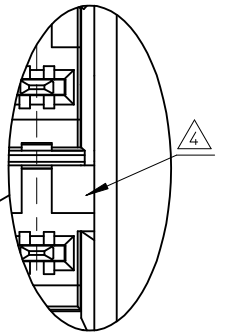
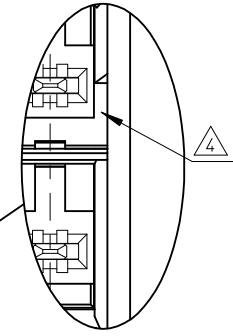
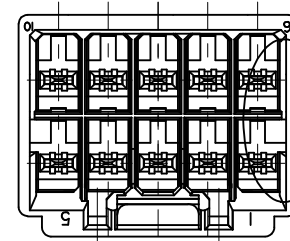
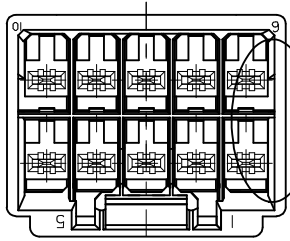
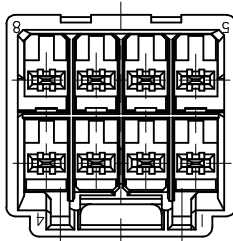
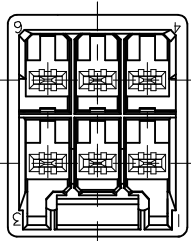
- 材料
MATERIAL : 黄銅, ニッケル下地鍍メッキ
PIN : BRASS, TIN OVER NICKEL PLATED
ヘッダー
HEADER : ポリアミド (PA), ガラス充填, UL94V-0
MATE WITH : 51284-***8
- 嵌合相手
MATE WITH : 51284-***8
- ソルダーテールキンは、両端のピンのみとする。
KINK TO BE APPLIED FOR 4 PINS AT BOTH ENDS.
- 極性用溝
PALARIZING KEY
- ELV及びRoHS 適合品
ELV AND RoHS COMPLIANT



LOCK SIDE	BLACK	13.2	18.5	55883-1091	10
OPPOSITE SIDE OF LOCK	NATURAL (IVORY)	9.9	15.2	-1090	8
	RED	6.6	11.9	-0890	
MATING KEY POSITION (SEE SHEET 2 OF 3)	COLOR	B	A	-0690	6
				TRAY PACKAGE	極数
				オーダー番号 ORDER NO.	CIRCUITS

REVISED EC NO: J2010-0432 DRW: NYOSHIKAWA 2009/09/11 CHK: K. ASAKAWA 2009/09/14 APPR: NUKITA 2009/09/15	GENERAL TOLERANCES (UNLESS SPECIFIED)		DIMENSION STYLE MM ONLY		SCALE ---		CONNECTOR SERIES No. 55883-***9*	
	10 UNDER	±0.2	DRAWN BY J. KUGOU	DATE '04/02/12	TITLE 3.3 WIRE TO BOARD CONN. HEADER ASS'Y		DESIGN UNITS METRIC	
	10 OVER 30 UNDER	±0.25	CHECKED BY M. SASAO	DATE '04/02/12	MATERIAL NO. SEE CHART		THIRD ANGLE PROJECTION	
	30 OVER	±0.3	APPROVED BY M. SASAO	DATE '04/02/12	DOCUMENT NO. SD-55883-010		SHEET NO. 1 OF 3	
ANGULAR ±3 °		DRAFT WHERE APPLICABLE MUST REMAIN WITHIN DIMENSIONS		THIS DRAWING CONTAINS INFORMATION THAT IS PROPRIETARY TO MOLEX INCORPORATED AND SHOULD NOT BE USED WITHOUT WRITTEN PERMISSION				

本図は2列品を示す
DUAL ROW ASS'Y



SHAPE OF
55883-0690
HEADER COLOR:NATURAL

SHAPE OF
55883-0890
HEADER COLOR:NATURAL
55883-0892
HEADER COLOR:RED

SHAPE OF
55883-1090
HEADER COLOR:NATURAL

SHAPE OF
55883-1091
HEADER COLOR:BLACK

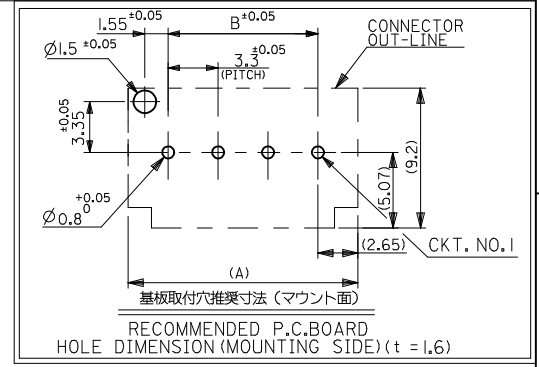
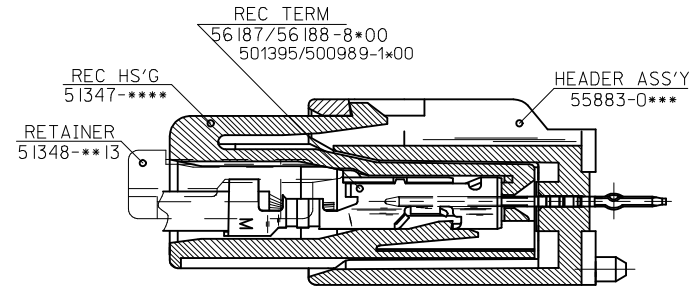
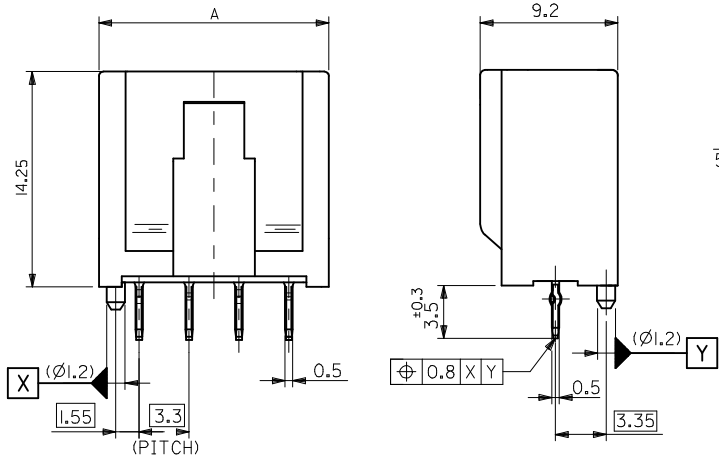
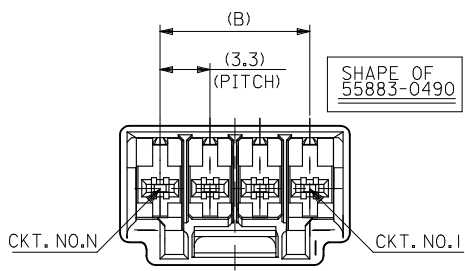
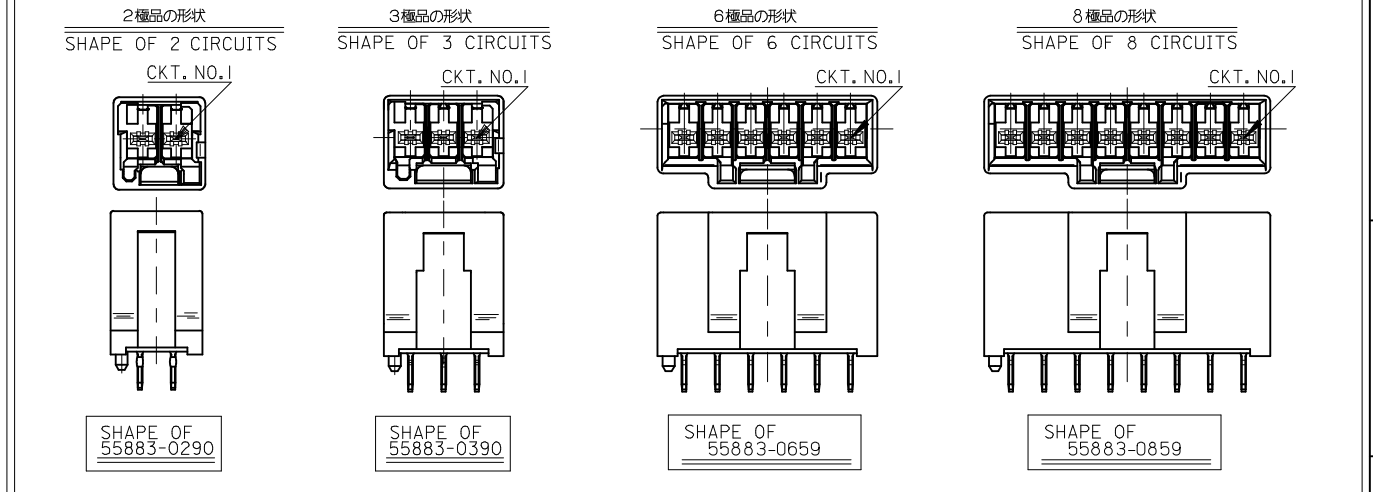
MATING KEY POSITION:OPPOSITE SIDE OF LOCK

MATING KEY POSITION:LOCK SIDE

極数レイアウト図
LAYOUT OF EACH CIRCUITS

REVISED EC NO: J2010-0432 DRW:NYOSHIKAWA 2009/09/11 CHKDK:ASAKAWA 2009/09/14 APPR:NUKITA 2009/09/15	GENERAL TOLERANCES (UNLESS SPECIFIED)		DIMENSION STYLE MM ONLY	SCALE ---	DESIGN UNITS METRIC	THIRD ANGLE PROJECTION
	10 UNDER	± 0.2	DRAWN BY J.KUGOU	DATE '04/02/12	TITLE 3.3 WIRE TO BOARD CONN. HEADER ASS'Y	
	10 OVER 30 UNDER	± 0.25	CHECKED BY M.SASAO	DATE '04/02/12		
	30 OVER	± 0.3	APPROVED BY M.SASAO	DATE '04/02/12	MOLEX INCORPORATED DOCUMENT NO. SD-55883-010	
ANGULAR ±3 °		MATERIAL NO. SEE SHEET 1		SHEET NO. 2 OF 3		
DRAFT WHERE APPLICABLE MUST REMAIN WITHIN DIMENSIONS		THIS DRAWING CONTAINS INFORMATION THAT IS PROPRIETARY TO MOLEX INCORPORATED AND SHOULD NOT BE USED WITHOUT WRITTEN PERMISSION				

本図は1列品を示す
SINGLE ROW ASS'Y



NATURAL (IVORY)	23.1	28.4	55883-0859	8
	16.5	21.8	55883-0659	6
	9.9	15.2	55883-0490	4
	6.6	11.9	55883-0390	3
COLOR	3.3	9.1	55883-0290	2
	TRAY PACKAGE			極数
オーダー番号 ORDER NO.				CIRCUITS

注記 NOTES

- 材料 MATERIAL
ピン PIN : 黄銅, ニッケル下地鍍メッキ
 : BRASS, TIN OVER NICKEL PLATED
ヘッダー HEADER : ホリアミド (PA), ガラス充填 UL94V-0
 : POLYAMIDE(PA), GLASS FILLED, UL94V-0
- 嵌合相手 MATE WITH : 51347-****
- ELV及びRoHS 適合品
ELV AND RoHS COMPLIANT

REVISED EC NO: J2010-0432 DRWN: YOSHIKAWA 2009/09/11 CHKD: ASAKAWA 2009/09/14 APPR: NUKITA 2009/09/15	DESCRIPTION	GENERAL TOLERANCES (UNLESS SPECIFIED)		DIMENSION STYLE	SCALE	CONNECTOR SERIES No. 55883-0***		
				MM ONLY	---	DESIGN UNITS	THIRD ANGLE PROJECTION	
		10 UNDER	±0.2	DRAWN BY	DATE	TITLE	3.3 WIRE TO BOARD CONN. HEADER ASS'Y	
		10 OVER 30 UNDER	±0.25	J. KUGOU	'04/02/12			
30 OVER	±0.3	CHECKED BY	DATE		MOLEX INCORPORATED			
ANGULAR	±3 °	M. SASAO	'04/02/12					
DRAFT WHERE APPLICABLE MUST REMAIN WITHIN DIMENSIONS		APPROVED BY	DATE	MATERIAL NO.	DOCUMENT NO.	SHEET NO.		
		M. SASAO	'04/02/12	SEE CHART	SD-55883-010	3 OF 3		
		SIZE	THIS DRAWING CONTAINS INFORMATION THAT IS PROPRIETARY TO MOLEX INCORPORATED AND SHOULD NOT BE USED WITHOUT WRITTEN PERMISSION					
		A3						