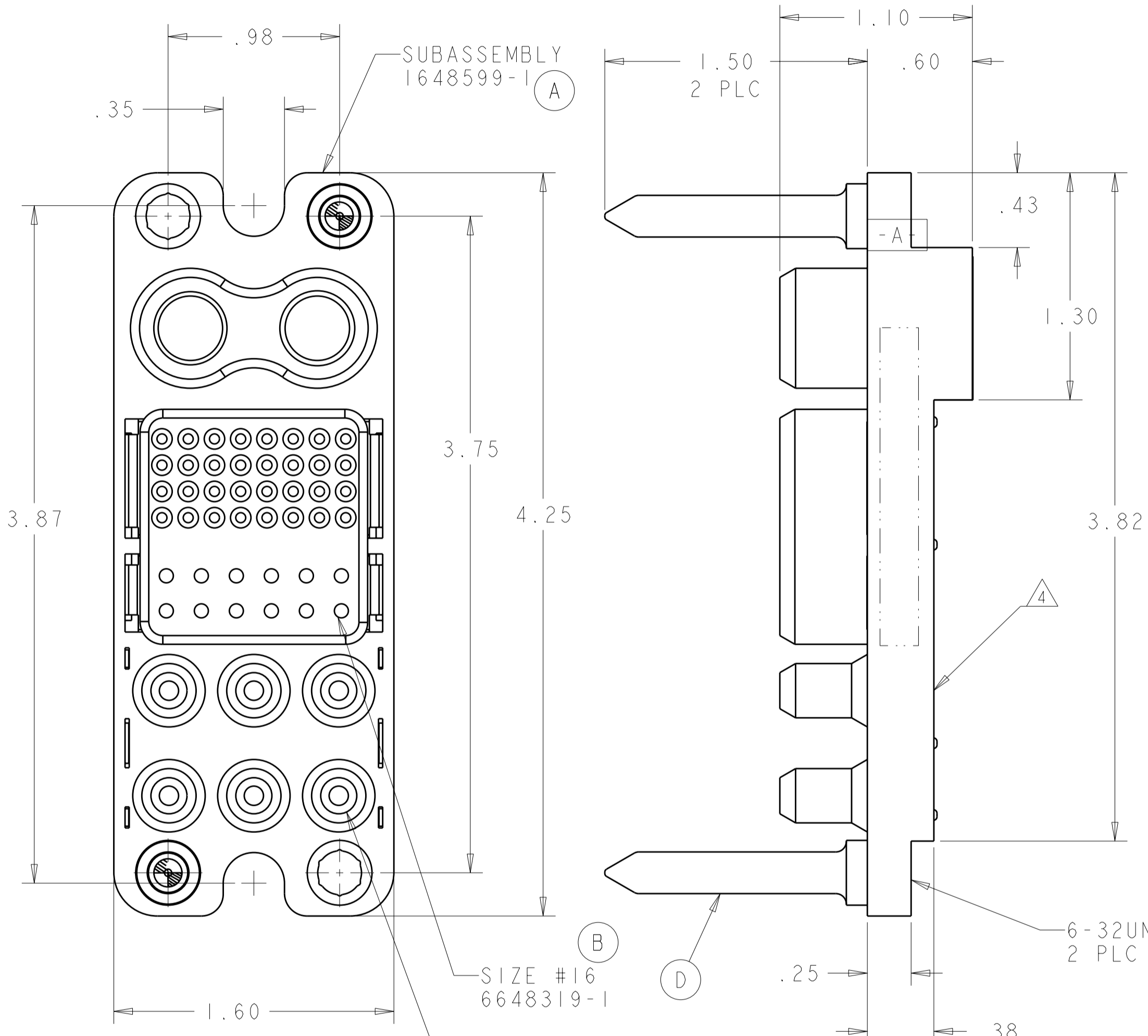


THIS DRAWING IS UNPUBLISHED. RELEASED FOR PUBLICATION 20
 © COPYRIGHT 20 BY TYCO ELECTRONICS CORPORATION. ALL RIGHTS RESERVED.

LOC		DIST		REVISIONS			
P	LTR	DESCRIPTION	DATE	DWN	APVD		
GP	00	A	RELEASED	10MAR2006	RG	PD	
		B	REV PER ECO-08-022842	23SEP2008	RG	DO	



1. PART NUMBER CHANGES AND OR DESIGN CHANGES AFFECTING THE INTERCHANGEABILITY REQUIRE PRIOR TYCO ELECTRONICS APPROVAL AND AUTHORIZATION BY REVISION TO THIS DRAWING.

2. MATERIAL:
 INSULATOR: THERMOPLASTIC, GLASS REINFORCED, FLAMMABILITY RATED, COLOR: BLACK
 CONTACT: COPPER ALLOY
 RETENTION CLIP: BERYLLIUM COPPER

3. FINISH:
 CONTACTS: GOLD PLATE .000030 MIN. THK. OVER NICKEL .000040 MIN. THK.

4. ITEMS PROVIDED TO THIS SPECIFICATION TO BE PERMANENTLY IDENTIFIED PER THE FOLLOWING IDENTIFIER:

YEAR 1 WEEK 1
 TYCO ELECTRONICS P/N XXXXXXXX-X DATE CODE (e.g. 0216) XXXX

5. CRIMP CONTACTS (ITEM B & C) SHALL BE PACKAGED SEPARATELY AND PLACED IN THE BOX WITH THE CONN. ASSEMBLY.

5	D	2	1650560-1	GUIDE PIN, 1/4" DIA. W/ 6-32 INT. THD
5	C	6	6648318-1	CONTACT, SOCKET, #12, CRIMP
5	B	12	6648319-1	CONTACT, SOCKET, #16, CRIMP
	A	1	1648599-1	CONNECTOR, SOCKET
	ITEM	-1	PART NUMBER	DESCRIPTION

ELCON DRAWER

THIS DRAWING IS A CONTROLLED DOCUMENT FOR TYCO ELECTRONICS CORPORATION. IT IS SUBJECT TO CHANGE AND THE CONTROLLING ENGINEERING ORGANIZATION SHOULD BE CONTACTED FOR THE LATEST REVISION.

DWN: R. GRZYBOWSKI 10MAR2006
 CHK: P. DAMATO 10MAR2006
 APVD: S. FLICKINGER 10MAR2006

Tyco Electronics
 Harrisburg, PA 17105-3608

NAME: TOP DRAWER SOCKET HOUSING ASSEMBLY W/ GUIDE PINS

DIMENSIONS: INCHES
 TOLERANCES UNLESS OTHERWISE SPECIFIED:
 0 PLC ±
 1 PLC ±.02
 2 PLC ±.02
 3 PLC ±.010
 4 PLC ±
 ANGLES ±.5
 FINISH

PRODUCT SPEC: -
 APPLICATION SPEC: -
 WEIGHT: -

SIZE: A2 CAGE CODE: 00779 DRAWING NO: 1926014 RESTRICTED TO: -
 SCALE: 2:1 SHEET 1 OF 2 REV B

CUSTOMER DRAWING

4

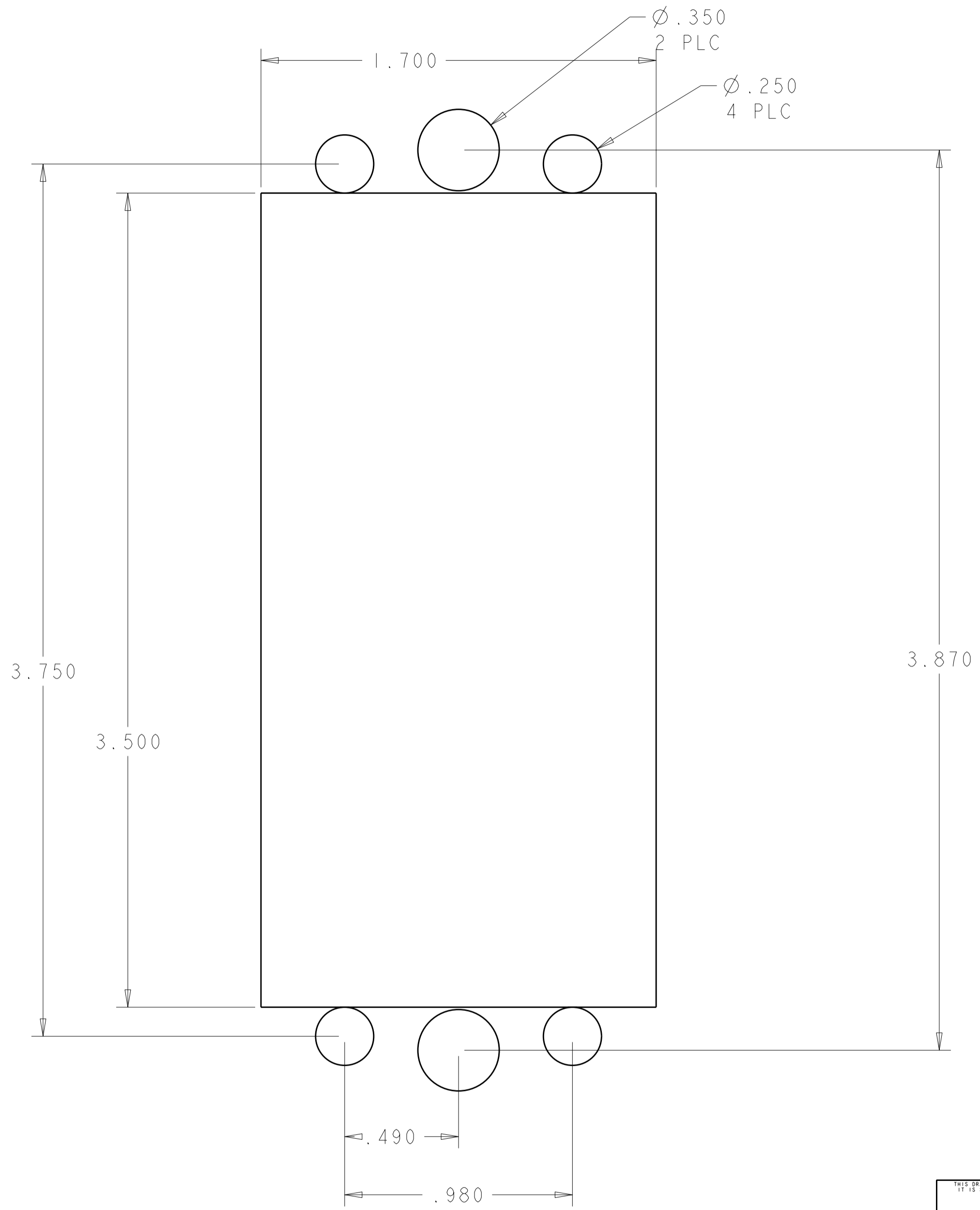
3

2

1

THIS DRAWING IS UNPUBLISHED. RELEASED FOR PUBLICATION 20
 © COPYRIGHT 20 BY TYCO ELECTRONICS CORPORATION. ALL RIGHTS RESERVED.

LOC	DIST	REVISIONS					
GP	00	P	LTR	DESCRIPTION	DATE	DWN	APVD
		-		SEE SHEET 1			



SUGGESTED PANEL CUTOUT
 VIEWED FROM CONNECTOR MOUNTING SIDE

<small>THIS DRAWING IS A CONTROLLED DOCUMENT FOR TYCO ELECTRONICS CORPORATION IT IS SUBJECT TO CHANGE AND THE CONTROLLING ENGINEERING ORGANIZATION SHOULD BE CONTACTED FOR THE LATEST REVISION.</small>		DWN R.GRZYBOWSKI 10MAR2006 CHK P.DAMATO 10MAR2006 APVD S.FLICKINGER 10MAR2006	Tyco Electronics Harrisburg, PA 17105-3608
DIMENSIONS: INCHES	TOLERANCES UNLESS OTHERWISE SPECIFIED: 0 PLC ± 1 PLC ± 2 PLC ±.02 3 PLC ±.010 4 PLC ± ANGLES ±.5 FINISH	PRODUCT SPEC APPLICATION SPEC WEIGHT	NAME TOP DRAWER SOCKET HOUSING ASSEMBLY W/ GUIDE PINS
MATERIAL		CUSTOMER DRAWING	SIZE A2 CAGE CODE 00779 DRAWING NO. C-1926014 RESTRICTED TO
		SCALE 2:1	SHEET 2 OF 2 REV B