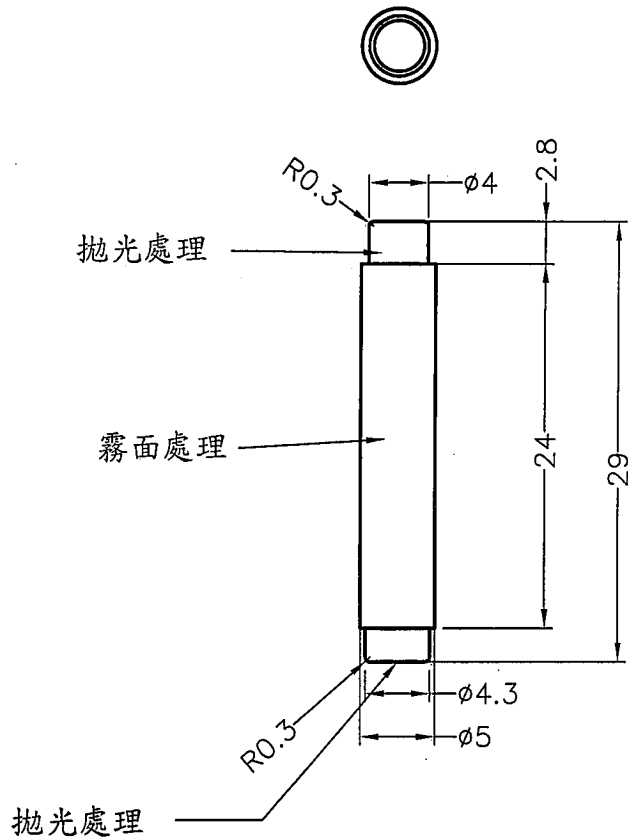


DIM.	TOL
5mm DOWN	±0.2
5~20mm	±0.3
20~40mm	±0.4
40~60mm	±0.5
60~100mm	±0.8
100mm UP	±1.0

REVISIONS			
REV	DESCRIPTION	DATE	BY



QMFZ2 Component - Plastics Tuesday, June 08, 2004 E50075

TEIJIN CHEMICALS LTD
 HIBIYA DAIBIRU BLDG 2-2 UCHISAIWAI-CHO 1-CHOME CHIYODA-KU TOKYO 100-0011 JAPAN
 Material Designation: L-1225(#)(F2)

Product Description: Polycarbonate (PC), designated "Panlite" furnished as pellets, powder.

Color	Min. Thick. (mm)	Flame Class	HWI	HAI	RTI Elec	RTI Imp	RTI Str	IEC GWIT	IEC GWFI
ALL	0.4	V-2	4	3	80	80	80	-	-
	0.75	V-2	3	1	80	80	80	-	-
	1.5	V-2	3	1	125	115	125	-	-
	1.9	HB	3	1	125	115	125	-	-
	3	HB	2	1	125	115	125	-	-
	6	HB	1	1	125	115	125	-	-

CTI: 2 HVTR: 4 D495: 5 IEC Ball Pressure (C):
 Dielectric Strength (kV/mm): 30 Volume Resistivity (10¹⁰ ohm-cm): 16 Dimensional Stability(%): 0
 ISO Tensile Strength (MPa): - ISO Flexural Strength (MPa): - ISO Heat Deflection (C): -
 ISO Tensile Impact (kJ/m²): - ISO Izod Impact (kJ/m²): - ISO Charpy Impact (kJ/m²): -

(#) Material designation may be suffixed with any one or two letters.
 (F2) Subjected to one or more of the following tests: Ultraviolet Light, Water Exposure or Immersion in accordance with UL 746C, where the acceptability for outdoor use is to be determined by UL Inc.

Report Date: 2/10/1989

Underwriters Laboratories Inc®

<p>康揚企業股份有限公司 KANG YANG HARDWARE ENTERPRISE CO., LTD. 康揚塑膠(東莞)有限公司 KANG YANG PLASTIC(DONG GUAN) CO., LTD. 康哲電腦配件(吳江)有限公司 KANG CHE COMPUTER COMPONENTS(WUJIANG) CO., LTD.</p>	TITLE		導光柱		產品規格圖面		
	MATERIAL		PC UL94V-2		DATE		2009.05.19
	FINISH		CLEAR		DRAWN		JIM
	COLOR		CLEAR		CHECK		
PART NUMBER	DRAWING NUMBER		UNLESS OTHERWISE SPECIFIED TOLERANCE		APPROVED		
LEM-70	LEM-70		SEE ABOVE				
SIZE	SCALE	UNIT	REV				
A4	2:1	mm	A				