

NOTES:

- MATERIALS:  
HOUSING - LIQUID CRYSTAL POLYMER (LCP)  
GLASS FILLED, UL94V-0, BLACK  
SIGNAL PIN AND SHIELD - COPPER ALLOY
- FINISHES:  
CONTACT AREA - SELECTIVE GOLD (Au)  
PCB TAILS - SELECTIVE MATTE TIN (Sn)
- THIS PART CONFORMS TO MOLEX PRODUCT SPECIFICATION PS-74031-999.
- FOR MIXED CONTACT LENGTH CONTACT MOLEX FOR AVAILABILITY.
- FOR SPECIFIC MATERIAL NUMBERS AND MATING INFORMATION REFER TO SHEET 2.
- PACKAGE PER PK-74060-003.
- ASSEMBLY WILL BE MARKED WITH P/N AND DATE CODE WITH LASER MARK ON SIDE OF HOUSING OR BY LABEL ON THE TUBE.
- MAPS (MOLEX ADVANCED PLATING SYSTEM).

UPDATE TABLE EC NO: UCP2014-3396 DRWNSVANG01 2014/02/14 CHKD:MMOLFE 2014/02/14 APPR:SMILLER 2014/02/25	QUALITY SYMBOLS 	GENERAL TOLERANCES (UNLESS SPECIFIED)		DIMENSION STYLE <b>MM ONLY</b>	SCALE <b>5:1</b>	DESIGN UNITS <b>METRIC</b>	THIRD ANGLE PROJECTION
		4 PLACES ± --- ± --- 3 PLACES ± --- ± --- 2 PLACES ± 0.25 ± --- 1 PLACE ± 0.38 ± --- 0 PLACE ± --- ± ---	mm INCH DRAWN BY DATE J JONIAK 2008/04/11 CHECKED BY DATE BINGHAM 2008/04/11 APPROVED BY DATE BINGHAM 2008/04/11	TITLE <b>VHDM H-SERIES 8 ROW          OPEN END BACKPLANE          SALES DRAWING</b>	MATERIAL NO. <b>SEE SHEET 2</b>	DOCUMENT NO. <b>SD-76134-001</b>	SHEET NO. <b>1 OF 2</b>
DRAFT WHERE APPLICABLE MUST REMAIN WITHIN DIMENSIONS		THIS DRAWING CONTAINS INFORMATION THAT IS PROPRIETARY TO MOLEX INCORPORATED AND SHOULD NOT BE USED WITHOUT WRITTEN PERMISSION					

# MATERIAL NUMBER ASSIGNMENT

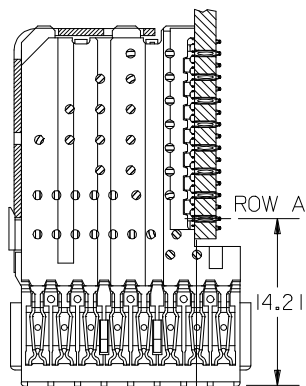
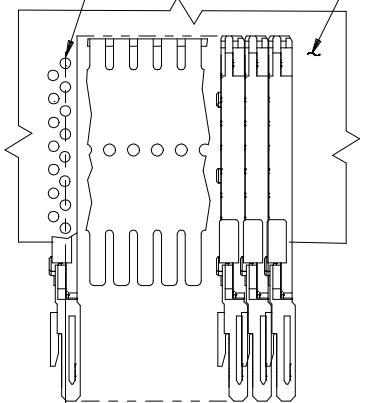
76134-\*\*\*0\*

PIN HEIGHT / PLATING  
 1-4 = 0.25 or 0.76 GOLD  
 6-9 = 1.27 GOLD

NUMBER OF COLUMNS/PLATING  
 10 = 10 COLUMN MATTE TIN (FORMERLY TIN/LEAD)  
 25 = 25 COLUMN MATTE TIN (FORMERLY TIN/LEAD)  
 60 = 10 COLUMN MATTE TIN (MAPS)  
 75 = 25 COLUMN MATTE TIN (MAPS)  
 90 = 10 COLUMN MATTE TIN  
 85 = 25 COLUMN MATTE TIN

1 & 6 = 4.75  
 2 & 7 = 6.25  
 3 & 8 = 4.25  
 4 & 9 = 5.15

SIGNAL COLUMN  
 DAUGHTERCARD CONNECTOR SIDE



2.45  
 TOP OF DAUGHTERCARD PCB  
 TO  $\phi$  OF ROW A

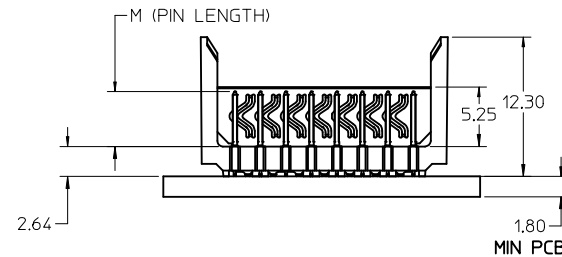
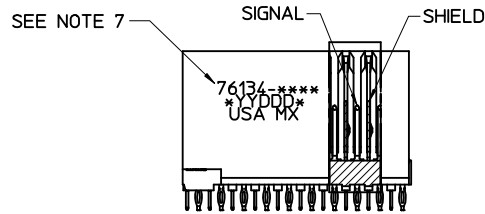
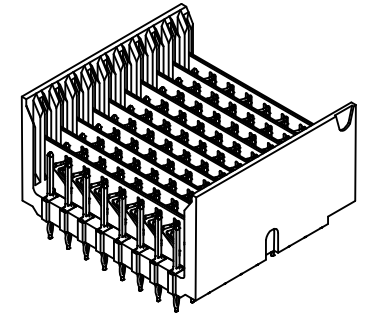
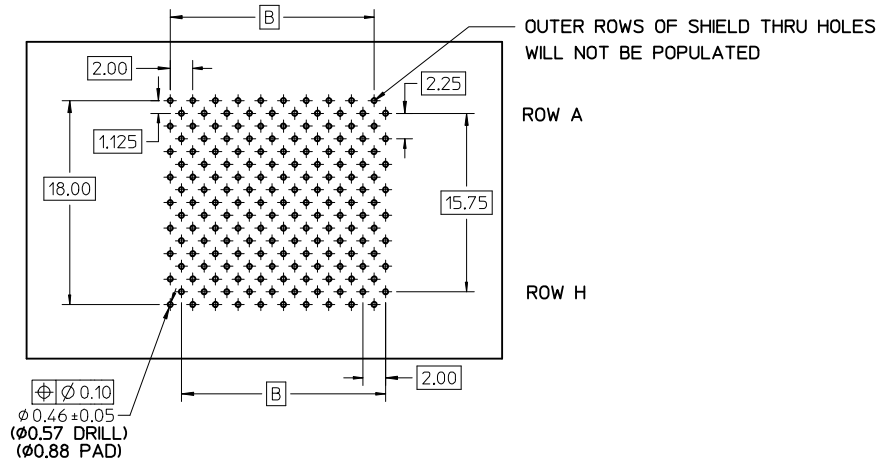
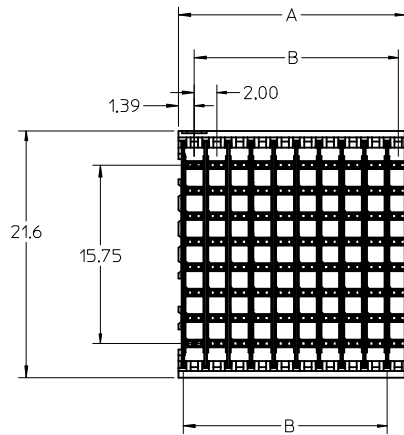
0.41 OFFSET  
 SIGNAL TO SIGNAL

SHIELD  
 SIGNAL

ROW A

PART NUMBER	COLUMN	NUMBER OF SIGNAL PIN	NUMBER OF SHIELD	A	B	M	GOLD THICKNESS MICROMETER	TIN THICKNESS MICROMETER
<b>76134-6001</b>	10	80	10	20.00	18.00	4.75	0.25 MAPS	0.76-1.52
76134-*001							0.76	
76134-*006							1.27	
<b>76134-7501</b>							0.25 MAPS	
76134-*501	25	200	25	50.00	48.00	6.25	0.76	
76134-*506							1.27	
<b>76134-6002</b>							0.25 MAPS	
76134-*002							0.76	
76134-*007	10	80	10	20.00	18.00	4.25	1.27	
<b>76134-7502</b>							0.25 MAPS	
76134-*502							0.76	
76134-*507							1.27	
<b>76134-6003</b>	25	200	25	50.00	48.00	5.15	0.25 MAPS	
76134-*003							0.76	
76134-*008							1.27	
<b>76134-7503</b>							0.25 MAPS	
76134-*503	10	80	10	20.00	18.00	4.75	0.76	
76134-*508							1.27	
<b>76134-6004</b>							0.25 MAPS	
76134-*004							0.76	
76134-*009	25	200	25	50.00	48.00	6.25	1.27	
<b>76134-7504</b>							0.25 MAPS	
76134-*504							0.76	
76134-*509							1.27	

SEE SHEET 1 EC NO: UCP2014-3396 DRWNS:VANG01 2014/02/14 CHKD:MOLFE 2014/02/14 APPR:SMILLER 2014/02/25	QUALITY SYMBOLS ∇=0 ∇=0 ∇=0	GENERAL TOLERANCES (UNLESS SPECIFIED) mm INCH 4 PLACES ± --- ± --- 3 PLACES ± --- ± --- 2 PLACES ± 0.25 ± --- 1 PLACE ± 0.38 ± --- 0 PLACE ± --- ± --- ANGULAR ±1/2°	DIMENSION STYLE MM ONLY DRAWN BY J JONIAK DATE 2008/04/11 CHECKED BY BINGHAM DATE 2008/04/11 APPROVED BY BINGHAM DATE 2008/04/11	SCALE 5:1 DESIGN UNITS METRIC THIRD ANGLE PROJECTION	TITLE VHDM H-SERIES 8 ROW OPEN END BACKPLANE SALES DRAWING <b>molex</b>	MATERIAL NO. SEE TABLE DOCUMENT NO. SD-76134-001	SHEET NO. 2 OF 2				
								DRAFT WHERE APPLICABLE MUST REMAIN WITHIN DIMENSIONS		THIS DRAWING CONTAINS INFORMATION THAT IS PROPRIETARY TO MOLEX INCORPORATED AND SHOULD NOT BE USED WITHOUT WRITTEN PERMISSION	



NOTES:

1. MATERIALS:  
HOUSING - LIQUID CRYSTAL POLYMER (LCP)  
GLASS FILLED, UL94V-0, BLACK  
SIGNAL PIN AND SHIELD - COPPER ALLOY
2. FINISHES:  
CONTACT AREA - SELECTIVE GOLD (Au)  
PCB TAILS - SELECTIVE MATTE TIN (Sn)
3. THIS PART CONFORMS TO MOLEX PRODUCT SPECIFICATION PS-74031-999.
4. FOR MIXED CONTACT LENGTH CONTACT MOLEX FOR AVAILABILITY.
5. FOR SPECIFIC MATERIAL NUMBERS AND MATING INFORMATION REFER TO SHEET 2.
6. PACKAGE PER PK-74060-003.
7. ASSEMBLY WILL BE MARKED WITH P/N AND DATE CODE WITH LASER MARK ON SIDE OF HOUSING OR BY LABEL ON THE TUBE.
8. MAPS (MOLEX ADVANCED PLATING SYSTEM).

UPDATE TABLE EC NO: UCP2014-3396 DRWNSVANG01 2014/02/14 CHKD:MMOLFE 2014/02/14 APPR:SMILLER 2014/02/25	QUALITY SYMBOLS 	GENERAL TOLERANCES (UNLESS SPECIFIED)		DIMENSION STYLE	SCALE	DESIGN UNITS	THIRD ANGLE PROJECTION	
				MM ONLY	5:1	METRIC		
		mm	INCH	DRAWN BY	DATE	TITLE		
				JJONI AK	2008/04/11	VHDM H-SERIES 8 ROW OPEN END BACKPLANE SALES DRAWING		
		4 PLACES	± ---	± ---	CHECKED BY	DATE		
		3 PLACES	± ---	± ---	BINGHAM	2008/04/11		
		2 PLACES	± 0.25	± ---	APPROVED BY	DATE		
		1 PLACE	± 0.38	± ---	BINGHAM	2008/04/11		
		0 PLACE	± ---	± ---	MATERIAL NO.		DOCUMENT NO.	
		ANGULAR ±1/2°			SEE SHEET 2			SD-76134-001
		DRAFT WHERE APPLICABLE MUST REMAIN WITHIN DIMENSIONS			THIS DRAWING CONTAINS INFORMATION THAT IS PROPRIETARY TO MOLEX INCORPORATED AND SHOULD NOT BE USED WITHOUT WRITTEN PERMISSION			SHEET NO. 1 OF 2

# MATERIAL NUMBER ASSIGNMENT

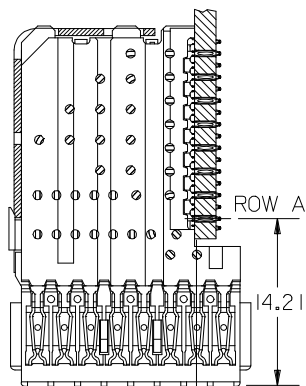
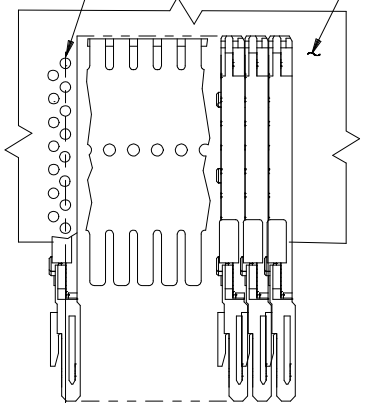
76134-\*\*\*0\*

PIN HEIGHT / PLATING  
 1-4 = 0.25 or 0.76 GOLD  
 6-9 = 1.27 GOLD

1 & 6 = 4.75  
 2 & 7 = 6.25  
 3 & 8 = 4.25  
 4 & 9 = 5.15

NUMBER OF COLUMNS/PLATING  
 10 = 10 COLUMN MATTE TIN (FORMERLY TIN/LEAD)  
 25 = 25 COLUMN MATTE TIN (FORMERLY TIN/LEAD)  
 60 = 10 COLUMN MATTE TIN (MAPS)  
 75 = 25 COLUMN MATTE TIN (MAPS)  
 90 = 10 COLUMN MATTE TIN  
 85 = 25 COLUMN MATTE TIN

SIGNAL COLUMN  
 DAUGHTERCARD CONNECTOR SIDE



0.41 OFFSET  
 SIGNAL TO SIGNAL

2.45  
 TOP OF DAUGHTERCARD PCB  
 TO  $\phi$  OF ROW A

SHIELD  
 SIGNAL

ROW A

PART NUMBER	COLUMN	NUMBER OF SIGNAL PIN	NUMBER OF SHIELD	A	B	M	GOLD THICKNESS MICROMETER	TIN THICKNESS MICROMETER
<b>76134-6001</b>	10	80	10	20.00	18.00	4.75	0.25 MAPS	0.76-1.52
76134-*001							0.76	
76134-*006							1.27	
<b>76134-7501</b>	25	200	25	50.00	48.00	4.75	0.25 MAPS	
76134-*501							0.76	
76134-*506							1.27	
<b>76134-6002</b>	10	80	10	20.00	18.00	6.25	0.25 MAPS	
76134-*002							0.76	
76134-*007							1.27	
<b>76134-7502</b>	25	200	25	50.00	48.00	6.25	0.25 MAPS	
76134-*502							0.76	
76134-*507							1.27	
<b>76134-6003</b>	10	80	10	20.00	18.00	4.25	0.25 MAPS	
76134-*003							0.76	
76134-*008							1.27	
<b>76134-7503</b>	25	200	25	50.00	48.00	4.25	0.25 MAPS	
76134-*503							0.76	
76134-*508							1.27	
<b>76134-6004</b>	10	80	10	20.00	18.00	5.15	0.25 MAPS	
76134-*004							0.76	
76134-*009							1.27	
<b>76134-7504</b>	25	200	25	50.00	48.00	5.15	0.25 MAPS	
76134-*504							0.76	
76134-*509							1.27	

SEE SHEET 1 EC NO: UCP2014-3396 DRWNS:VANG01 2014/02/14 CHKD:MMOLFE 2014/02/14 APPR:SMILLER 2014/02/25	QUALITY SYMBOLS ▽=0 ▽=0 ▽=0	GENERAL TOLERANCES (UNLESS SPECIFIED) mm INCH 4 PLACES ± --- ± --- 3 PLACES ± --- ± --- 2 PLACES ± 0.25 ± --- 1 PLACE ± 0.38 ± --- 0 PLACE ± --- ± --- ANGULAR ±1/2°	DIMENSION STYLE MM ONLY DRAWN BY DATE J JONIAK 2008/04/11 CHECKED BY DATE BINGHAM 2008/04/11 APPROVED BY DATE BINGHAM 2008/04/11	SCALE 5:1 DESIGN UNITS METRIC THIRD ANGLE PROJECTION	TITLE VHDM H-SERIES 8 ROW OPEN END BACKPLANE SALES DRAWING <b>molex</b>	DOCUMENT NO. SD-76134-001	SHEET NO. 2 OF 2			
								DRAFT WHERE APPLICABLE MUST REMAIN WITHIN DIMENSIONS		MATERIAL NO. SEE TABLE
								SIZE THIS DRAWING CONTAINS INFORMATION THAT IS PROPRIETARY TO MOLEX INCORPORATED AND SHOULD NOT BE USED WITHOUT WRITTEN PERMISSION		