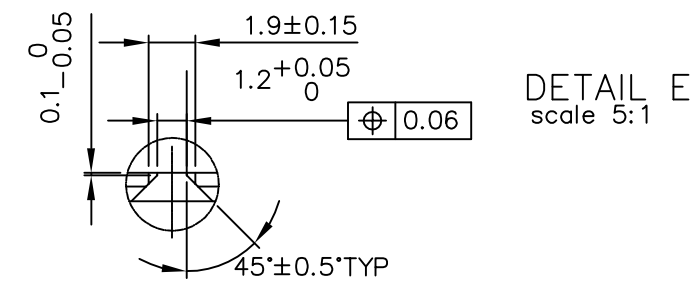
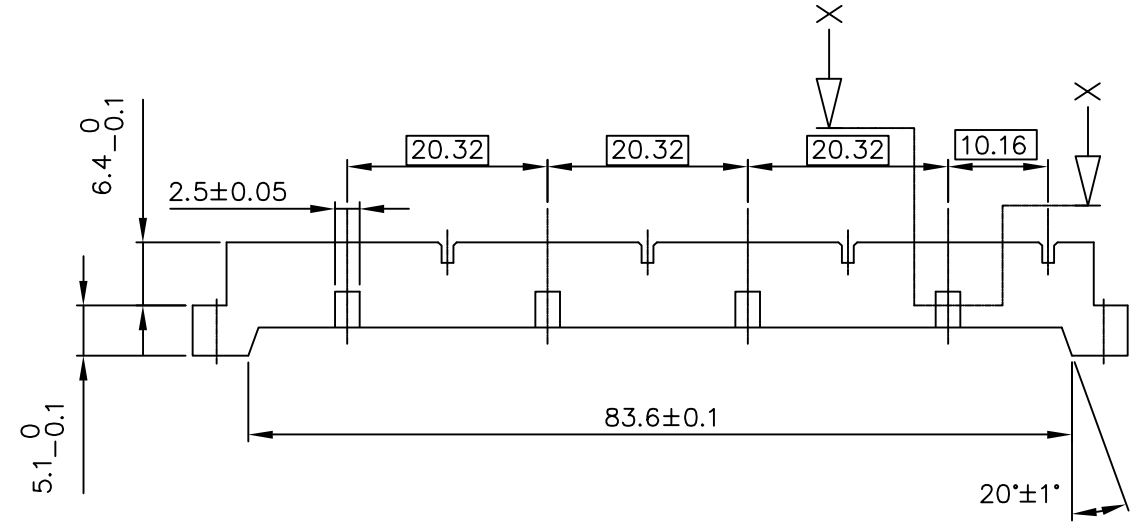
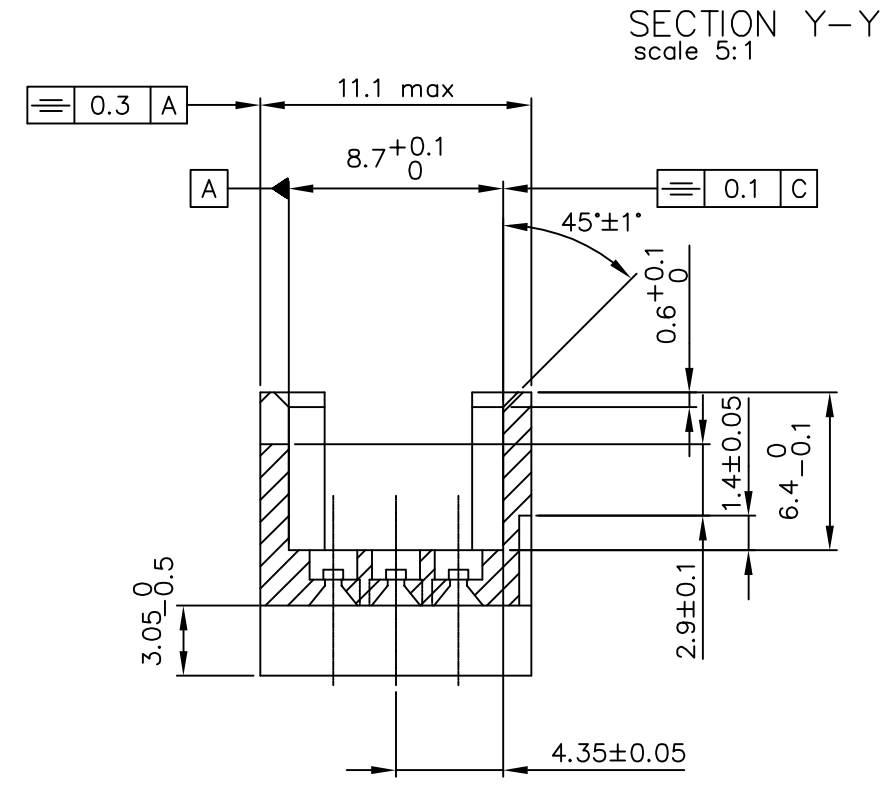
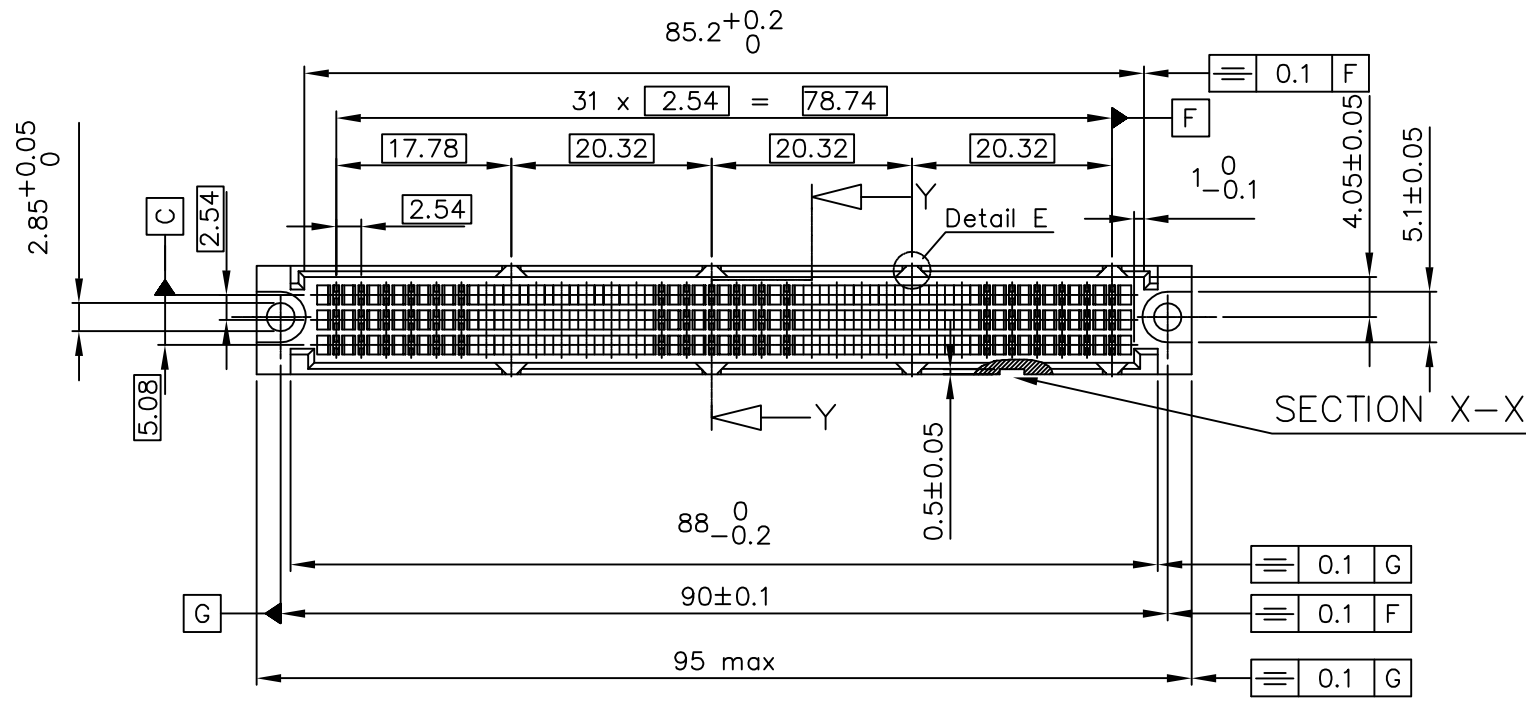


PRODUCT NUMBER 65251-001



Material: Polycarbonate, flame retardant per UL-94-V0,
Colour: grey

NOTES:-

1. THIS PRODUCT MEETS EUROPEAN UNION DIRECTIVES AND OTHER COUNTRY REGULATIONS AS DESCRIBED IN GS-22-008.
2. LEADFREE OR RoHS DIRECTIVE LABELLING TO BE PROVIDED AS PER GS-14-920.
3. " LF " SUFFIX TO PRODUCT NUMBER FOR RoHS COMPATIBLE/ LEADFREE VERSION.
4. PARTS WITH AND WITHOUT "LF " SUFFIX ARE FORM-FIT AND FUNCTIONALLY IDENTICAL. " LF " SUFFIX PROVIDED FOR PART NUMBER STANDARDISATION OF PART THAT MEETS RoHS REQUIREMENTS.

mat'l. code		surface		tolerance		projection		product family	
SEE NOTE		ISO 1302		ISO 406 ISO 1101		mm		BACKPANEL	
ltr	ecn no	dr	date	tolerances unless otherwise specified		mm		title	
C	H30580	MVI	1993-08-18	angles	linear	mm		SHROUD PRESS FIT	
D	F00406	LLA	2000-05-22			scale 2:1			
E	I05-0123	MINI	2005-07-27						
F	I05-0248	MINI	2005-11-22	dr	D.LEGRAND	2000-10-09	dwg no		
G	I06-0068	MINI	2006-06-01	enfr	J.F.NOTTEAU	2000-10-09	sheet 1 of 1		
				chr	RAKHEE GEORGE	2006-06-01	size		
				appd	RAKHEE GEORGE	2006-06-01	A3		
sheet index		revision	G					type Product Customer Drawing	
		sheet	1						



Copyright FCI