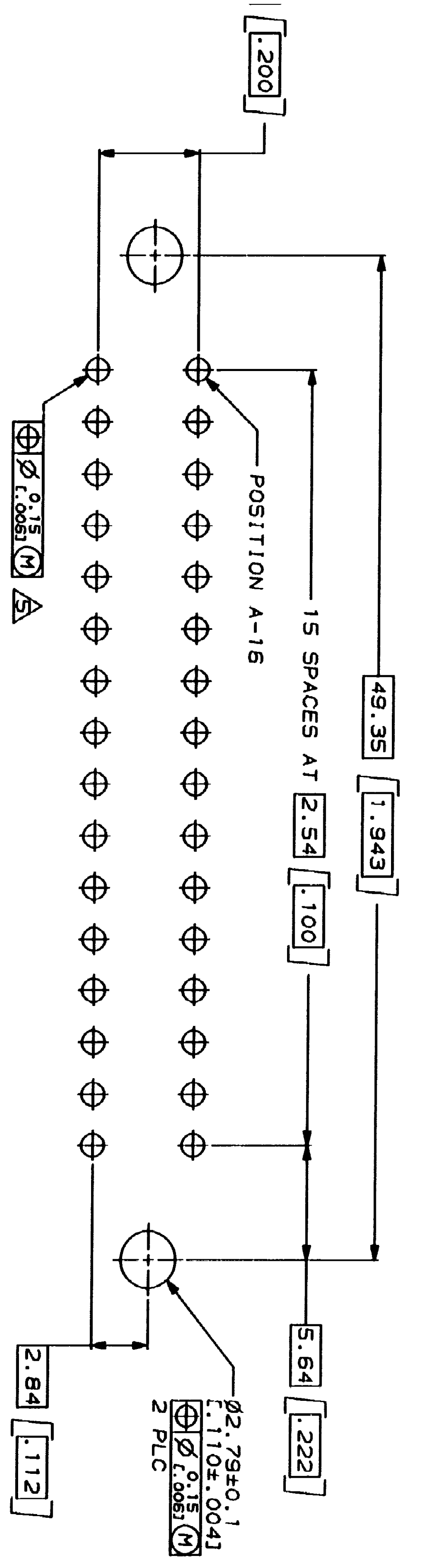
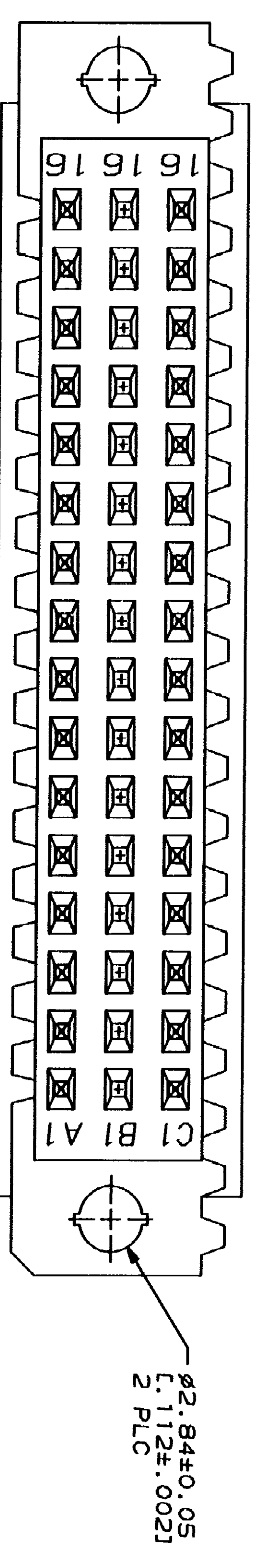
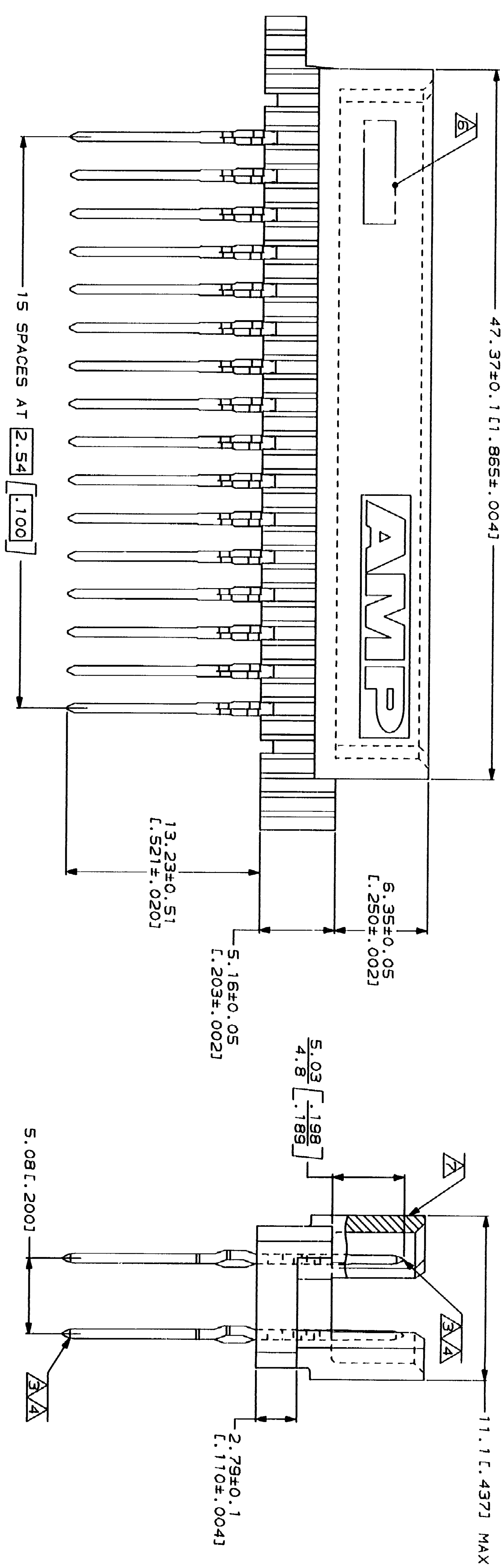
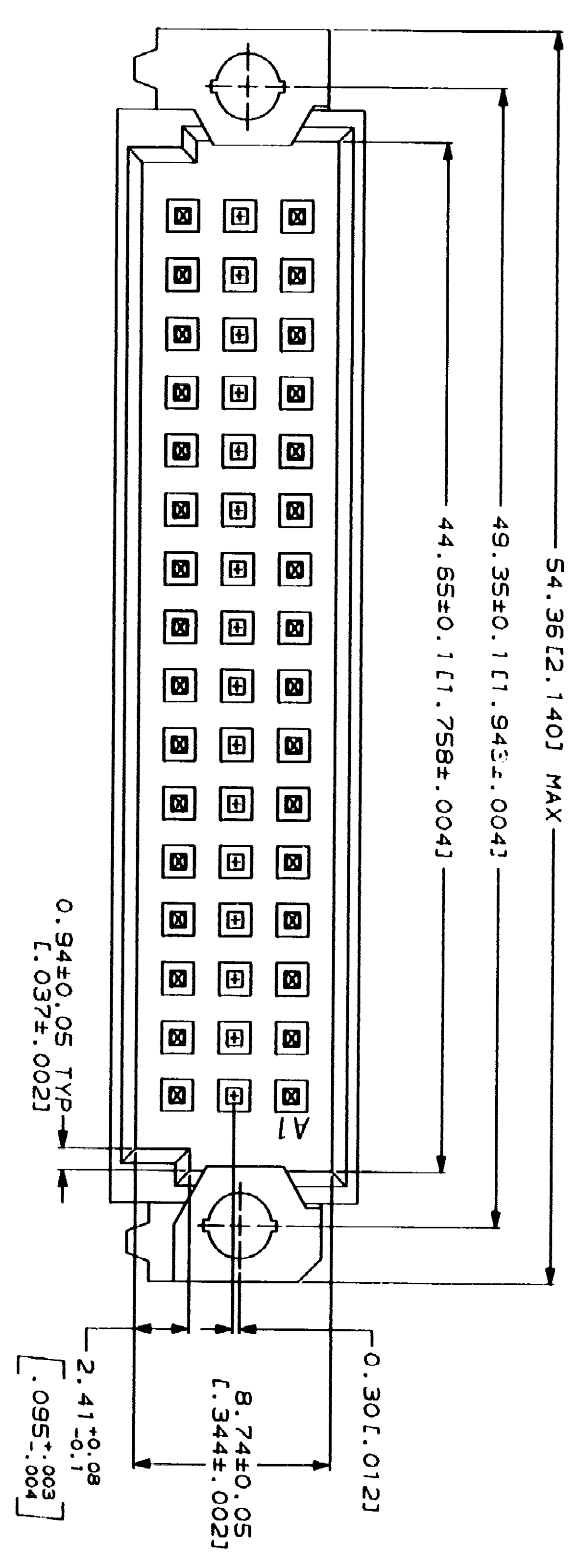


DATE	APPD
6/10/91	LSB
11/14/91	LSB
12/26/91	LSB
6/6/92	LSB
5/20/93	LSB
2/7/94	LSB
3/26/94	LSB



REV	DATE	ZONE	DESCRIPTION
0	AD 25		DRAWN
B			ECN A05586, A05640
C			ECN A05876
D			ECN A05871
E			ECN A05256
F			EC 0010-0613-93
G			EC 0010-0151-94
H			EC 0010-0436-94

- △ HOUSING MATERIAL: GLASS-FILLED POLYESTER. COLOR: POST MATERIAL, PHOSPHOR BRONZE.
- △ POST FINISH: DIN 41612 CLASS 3 IN CONTACT AREA. TIN-LEAD PLATE ON POSTS.
- △ POST FINISH: DIN 41612 CLASS 2 IN CONTACT AREA. TIN-LEAD PLATE ON POSTS.
- △ ACTION PIN POSTS REQUIRE 2.36 [0.093] MINIMUM THICK PC BOARD. RECOMMENDED PC BOARD HOLES ARE 1.15 [0.045] DIA. AFTER PLATING, 0.94 [0.037] DIA.
- △ [PART NUMBER, DATE CODE] MARKED THIS APPROXIMATE A MARKING ON THIS SIDE.

OBsolete	1-16	X	-	X	32
△	1-16	X	-	X	32

NOTES	POSITIONS LOADED	ROWS LOADED	NO. OF ASSY POSITION
	C	B A	

DR	L. BRINER	3/18/91	NAME	AMP
CHK	D.C. RUBENDALL	3/26/91		AMP Incorporate
APPD	D.C. RUBENDALL	3/26/91		Harrisburg, PA
APPD	K.R. PARKER	3/26/91		
PRODUCT SPEC				

FINISH	POST: △	APPLICATION SPEC	SCALE	SIZE	CAGE CODE	DRAWING NO
				D	00779	6505

RT NUMBER	932-9
	932-5
	932-9

T NO	1
	2
	1 OF 1

RAWING