

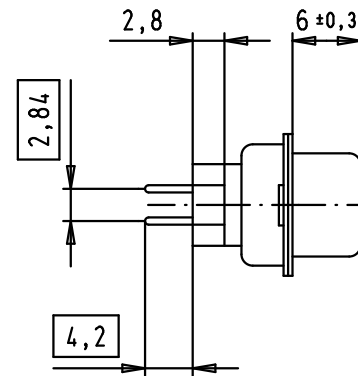
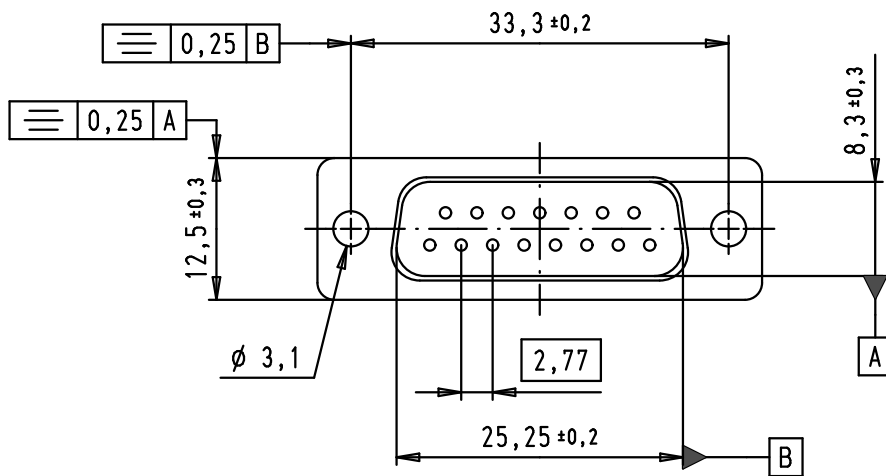
5

4

3

2

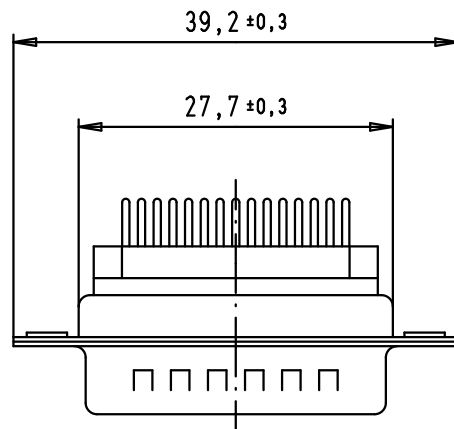
1



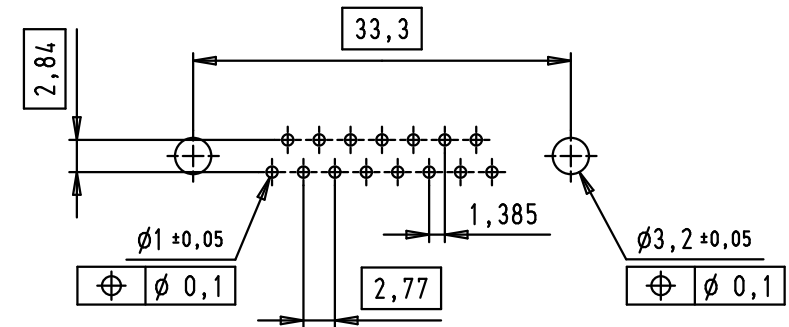
SPECIFICATIONS

| FREQUENCY (MHz) | ATTENUATION (dB) |
|-----------------|------------------|
| 5 | 0,5 |
| 10 | 1 |
| 50 | 3,5 |
| 100 | 4 |
| 500 | 5 |
| 1000 | 5,5 |

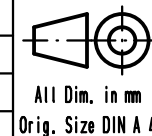
Operating voltage < 250 V AC
 Working current < 7,5 A
 Insulation resistance > 1GΩ
 Contact resistance < 15 mΩ
 Dielectric withstanding voltage 500 V AC / minute



PCB layout, component side



| | | | Dot. | Name |
|---------|----------|------|---------|-------------|
| | | | Detail. | 11/06/09 PK |
| | | | Insp. | |
| | | | Stand. | |
| 36160 | 22/09/10 | SC | | |
| EC00332 | 11/06/09 | PK | | |
| Mod. | Dot. | Name | | |



D-Sub, male, straight,
 15 poles, tin plated shell
 with dimples, solder pins,
 ferrite filter

Maßstab/
 Scale
 1,5:1

09 64 222 7800

PL3

Part number

Performance level

HARTING EURL
 F-95972 Paris



TB 09 64 222 7800

Sub.

Blatt/ Page
 1 / 1