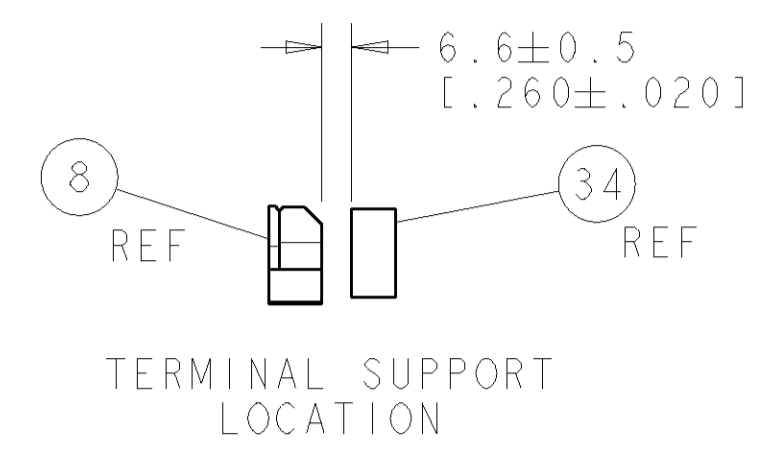
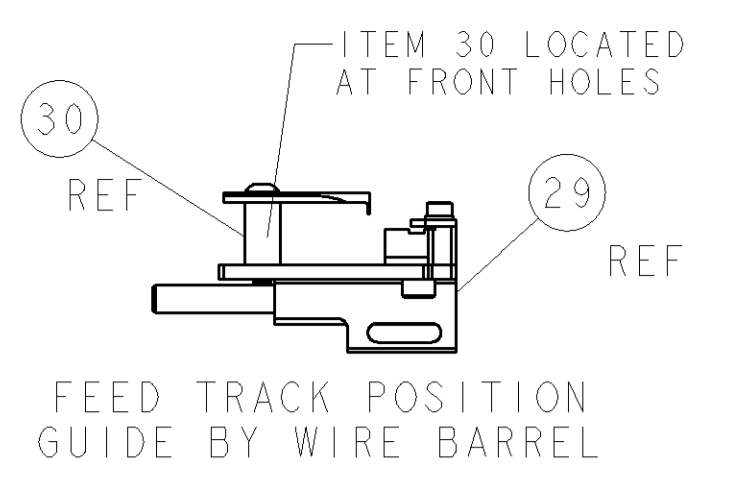
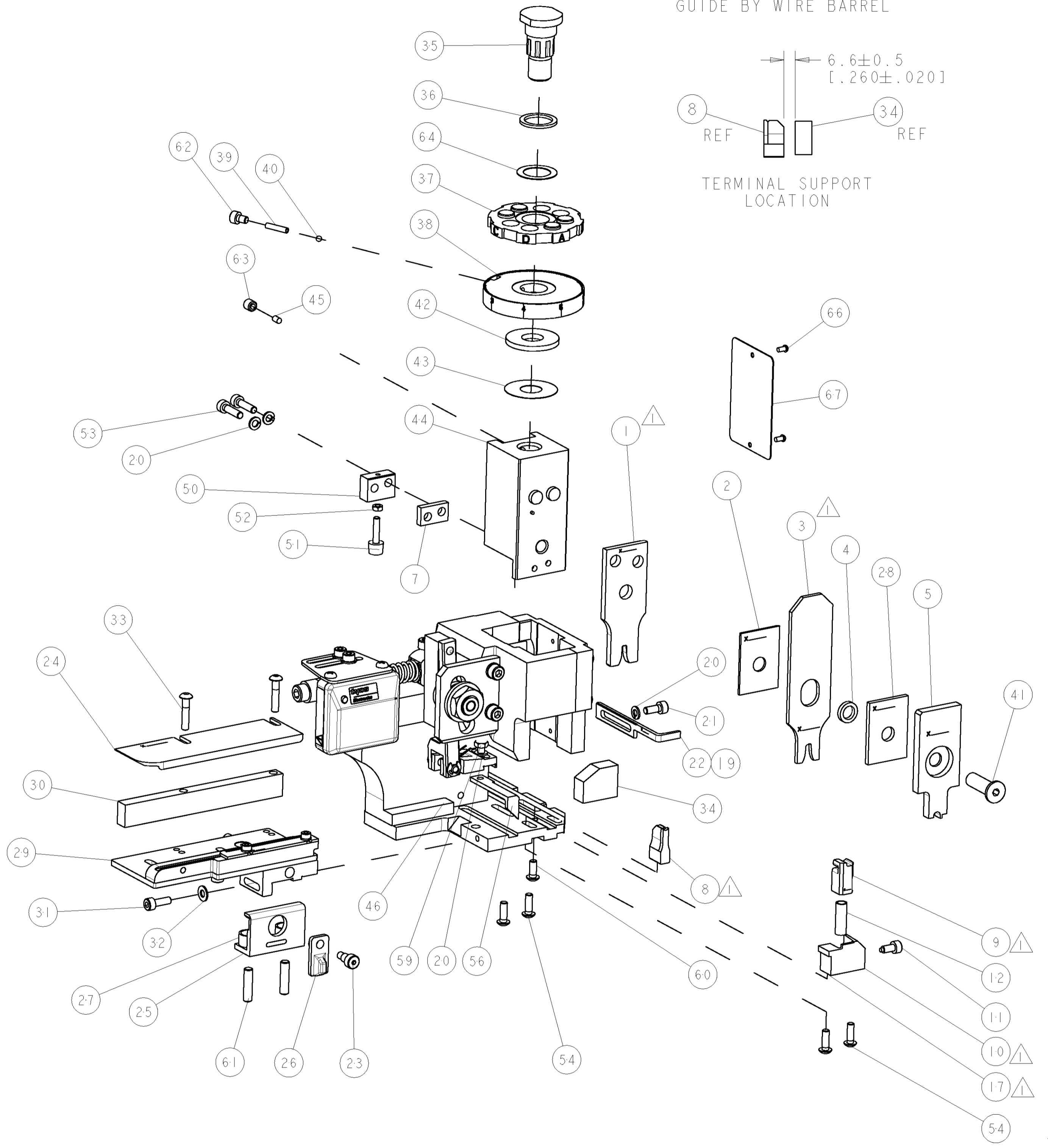


PART NUMBER	REV	TERMINATOR	FEED TYPE	DESCRIPTION
1426561-1	B	LEADMAKER	MECH POST FEED	CUTS CARRIER
1426561-2	B	BENCH	MECH PRE FEED	CUTS CARRIER
1426561-6	B	LEADMAKER	MECH POST FEED	CONTINUOUS CARRIER
7-1426561-1	B	LEADMAKER	MECH POST FEED	-1 AND SPARE PARTS
7-1426561-2	B	BENCH	MECH PRE FEED	-2 AND SPARE PARTS
7-1426561-6	B	LEADMAKER	MECH POST FEED	-6 AND SPARE PARTS
7-1426561-7	A	-	-	SPARE PARTS KIT

CRIMP DATA		YAZAKI TERMINAL	YAZAKI CRIMP SPECS
TERMINAL NAME: 6.3mm YESC FEMALE TERMINAL			
CRIMP	SIZE	TYPE	RANGE
WIRE	2.90 [.114 IN]	F	1.50-2.50mm ²
INSUL	3.81 [.150 IN]	OV	2.20-3.40 [.087-.134 IN]
WIRE STRIP LENGTH		APPL INSTRUCTIONS	
5.00-5.50mm [.197-.217 IN]		408-8322	
TERMINAL APPL SPEC	YAZAKI YPES	FEED	
72-WT10-1433-1		22.00 [.866 IN]	
TERMINALS APPLIED			
TYCO PN	MANUF PN		
1572469-1	7116-4121-02	-	-
-	-	-	-
-	-	-	-
-	-	-	-
WIRE SIZE	CRIMP HEIGHT	PINPN & LENGTH [IN]	
2.50mm sq	1.85 ± 0.05 [.073 ± .002 IN]	9-354778-5 [.2970]	
1.50mm sq	1.65 ± 0.05 [.065 ± .002 IN]	1-354779-6 [.3070]	

- RECOMMENDED SPARE PARTS
- GREASE RAM, CAM, CAM FOLLOWER AND FEED ROD LIGHTLY
- LUBRICATE DAILY PER THE APPLICATOR INSTRUCTION SHEET SUPPLIED WITH THE APPLICATOR
- ALL CRIMP DATA SUPPLIED BY TERMINAL MANUFACTURER.



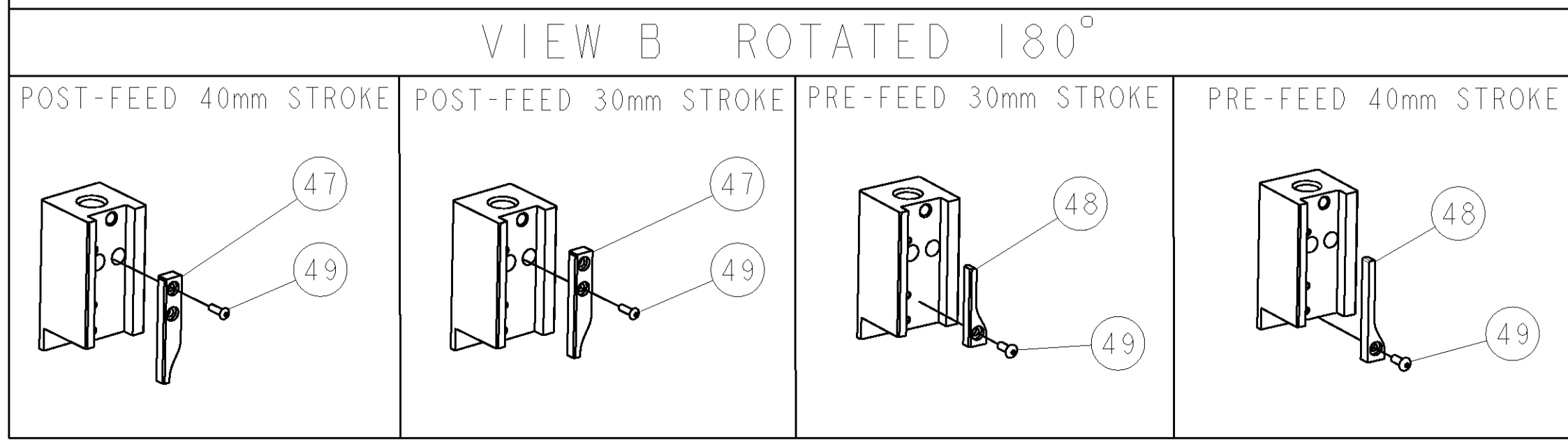
SET UP GAGE 458637-3		LOC	DIST	REVISIONS			
A	66			REV	DATE	BY	APPD
				A	12SEP2005	LJL	FB
				B	21Sep05	LJL	FB

REV	DATE	BY	APPD	DESCRIPTION	ITEM NO
-	-	-	-	-	73
-	-	-	-	-	72
-	-	-	-	-	71
-	-	-	-	-	70
-	-	-	-	-	69
-	-	-	-	-	68
-	-	-	-	-	67
-	-	-	-	-	66
-	-	-	-	-	65
-	-	-	-	-	64
-	-	-	-	-	63
-	-	-	-	-	62
-	-	-	-	-	61
-	-	-	-	-	60
-	-	-	-	-	59
-	-	-	-	-	58
-	-	-	-	-	57
-	-	-	-	-	56
-	-	-	-	-	55
-	-	-	-	-	54
-	-	-	-	-	53
-	-	-	-	-	52
-	-	-	-	-	51
-	-	-	-	-	50
-	-	-	-	-	49
-	-	-	-	-	48
-	-	-	-	-	47
-	-	-	-	-	46
-	-	-	-	-	45
-	-	-	-	-	44
-	-	-	-	-	43
-	-	-	-	-	42
-	-	-	-	-	41
-	-	-	-	-	40
-	-	-	-	-	39
-	-	-	-	-	38
-	-	-	-	-	37
-	-	-	-	-	36
-	-	-	-	-	35
-	-	-	-	-	34
-	-	-	-	-	33
-	-	-	-	-	32
-	-	-	-	-	31
-	-	-	-	-	30
-	-	-	-	-	29
-	-	-	-	-	28
-	-	-	-	-	27
-	-	-	-	-	26
-	-	-	-	-	25
-	-	-	-	-	24
-	-	-	-	-	23
-	-	-	-	-	22
-	-	-	-	-	21
-	-	-	-	-	20
-	-	-	-	-	19
-	-	-	-	-	18
-	-	-	-	-	17
-	-	-	-	-	16
-	-	-	-	-	15
-	-	-	-	-	14
-	-	-	-	-	13
-	-	-	-	-	12
-	-	-	-	-	11
-	-	-	-	-	10
-	-	-	-	-	9
-	-	-	-	-	8
-	-	-	-	-	7
-	-	-	-	-	6
-	-	-	-	-	5
-	-	-	-	-	4
-	-	-	-	-	3
-	-	-	-	-	2
-	-	-	-	-	1

REV	DATE	BY	APPD	DESCRIPTION	ITEM NO
-	-	-	-	-	84
-	-	-	-	-	83
-	-	-	-	-	82
-	-	-	-	-	81
-	-	-	-	-	80
-	-	-	-	-	79
-	-	-	-	-	78
-	-	-	-	-	77
-	-	-	-	-	76
-	-	-	-	-	75
-	-	-	-	-	74

REV	DATE	BY	APPD	DESCRIPTION	ITEM NO
-	-	-	-	-	84
-	-	-	-	-	83
-	-	-	-	-	82
-	-	-	-	-	81
-	-	-	-	-	80
-	-	-	-	-	79
-	-	-	-	-	78
-	-	-	-	-	77
-	-	-	-	-	76
-	-	-	-	-	75
-	-	-	-	-	74

REV	DATE	BY	APPD	DESCRIPTION	ITEM NO
-	-	-	-	-	84
-	-	-	-	-	83
-	-	-	-	-	82
-	-	-	-	-	81
-	-	-	-	-	80
-	-	-	-	-	79
-	-	-	-	-	78
-	-	-	-	-	77
-	-	-	-	-	76
-	-	-	-	-	75
-	-	-	-	-	74



REV	DATE	BY	APPD	DESCRIPTION	ITEM NO
-	-	-	-	-	84
-	-	-	-	-	83
-	-	-	-	-	82
-	-	-	-	-	81
-	-	-	-	-	80
-	-	-	-	-	79
-	-	-	-	-	78
-	-	-	-	-	77
-	-	-	-	-	76
-	-	-	-	-	75
-	-	-	-	-	74

REV	DATE	BY	APPD	DESCRIPTION	ITEM NO
-	-	-	-	-	84
-	-	-	-	-	83
-	-	-	-	-	82
-	-	-	-	-	81
-	-	-	-	-	80
-	-	-	-	-	79
-	-	-	-	-	78
-	-	-	-	-	77
-	-	-	-	-	76
-	-	-	-	-	75
-	-	-	-	-	74

REV	DATE	BY	APPD	DESCRIPTION	ITEM NO
-	-	-	-	-	84
-	-	-	-	-	83
-	-	-	-	-	82
-	-	-	-	-	81
-	-	-	-	-	80
-	-	-	-	-	79
-	-	-	-	-	78
-	-	-	-	-	77
-	-	-	-	-	76
-	-	-	-	-	75
-	-	-	-	-	74