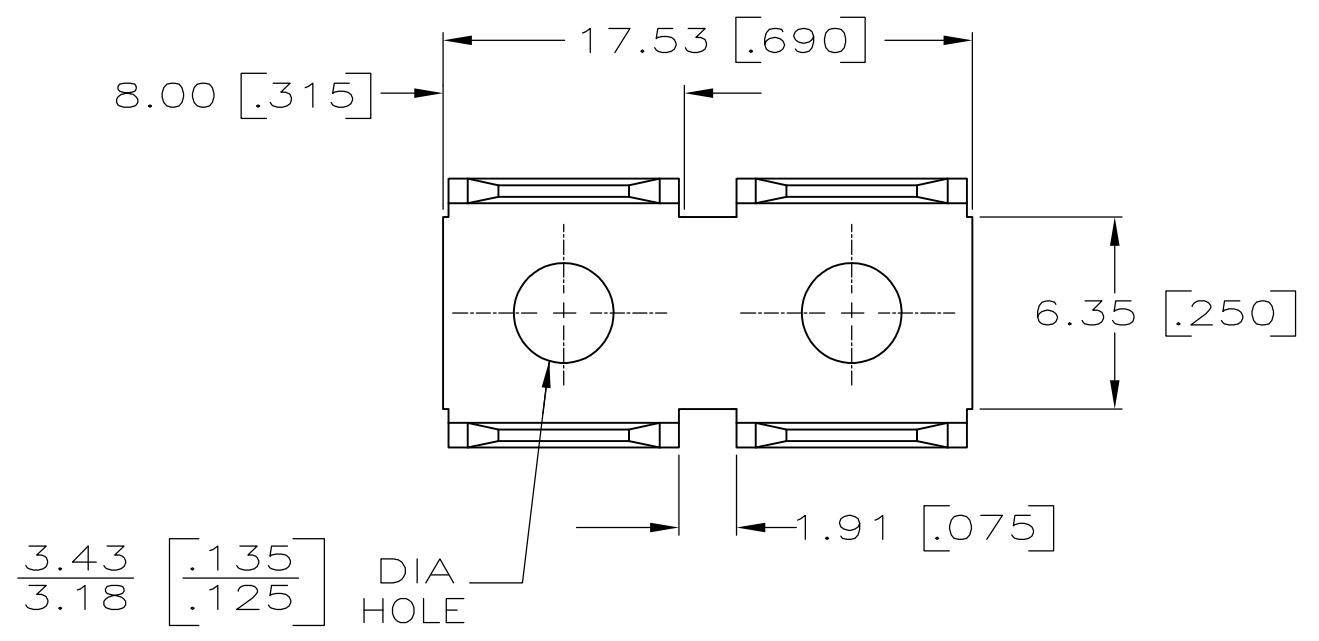
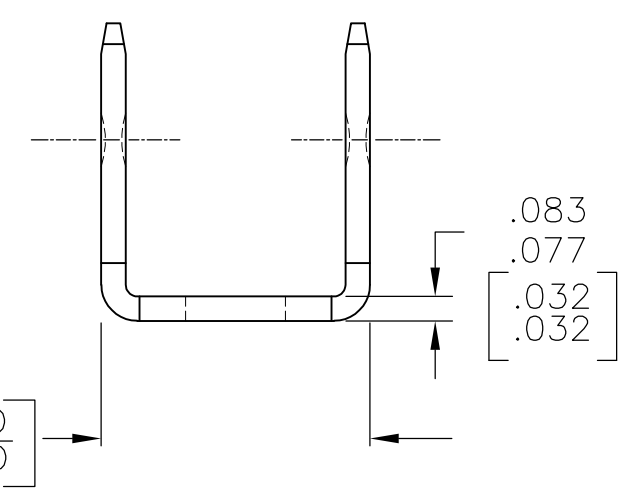
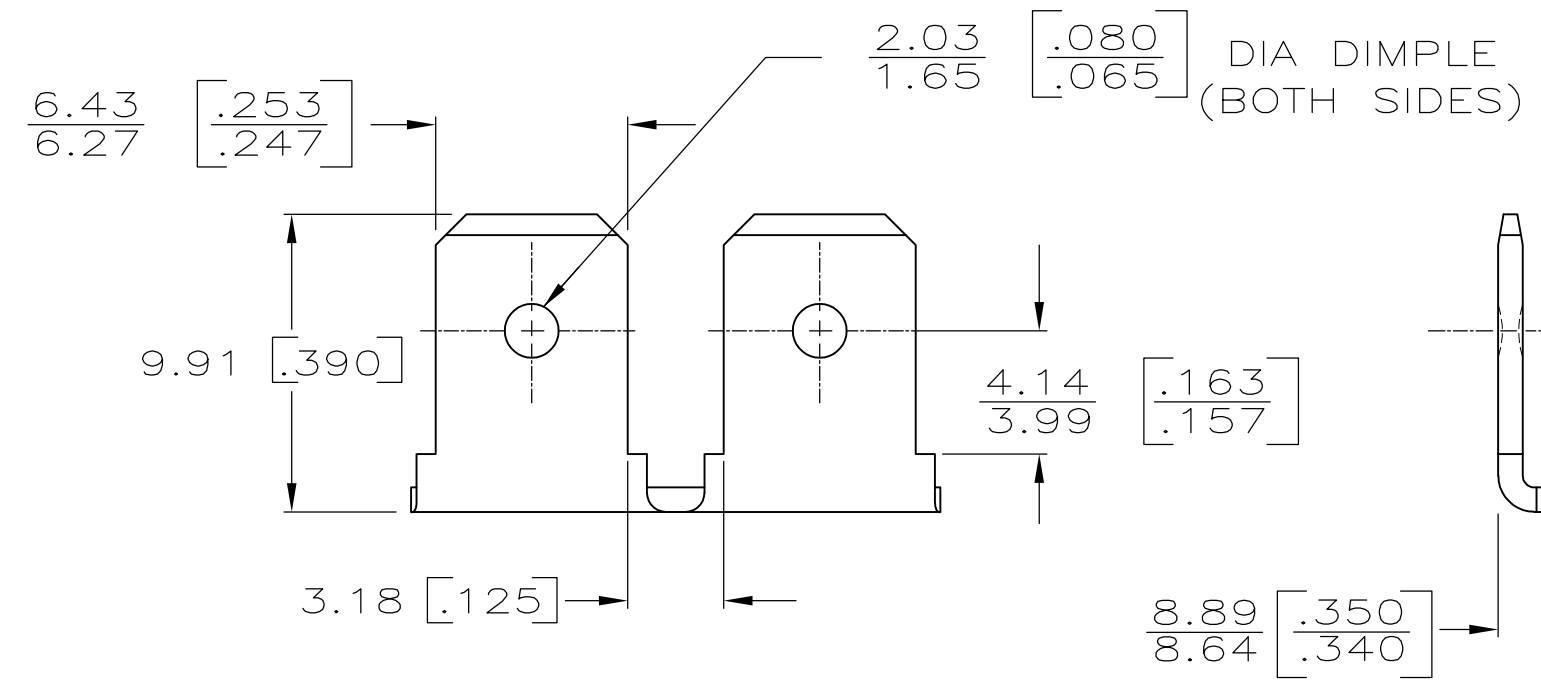


THIS DRAWING IS UNPUBLISHED. RELEASED FOR PUBLICATION
 © COPYRIGHT - By - ALL RIGHTS RESERVED.

LOC	DIST	REVISIONS			
P	LTR	DESCRIPTION	DATE	DWN	APVD
AF	50				
	AJ	REVISED PER ECR-13-011489	10DEC2013	KH	PD



- 1 DIMENSIONS IN BRACKETS ARE IN INCHES.
- 2 SUPPLIED IN LOOSE PIECE.



41291
PART NO

THIS DRAWING IS A CONTROLLED DOCUMENT.		DWN	JR RUTH	8/13/86	TE Connectivity					
DIMENSIONS: mm [INCHES]		CHK	G YETTER	8/13/86						
TOLERANCES UNLESS OTHERWISE SPECIFIED:		APVD	C MEYERS	8/14/86	NAME					
0 PLC ± - 1 PLC ± - 2 PLC ± - 3 PLC ± 0.25 [.010] 4 PLC ± - ANGLES ± -		PRODUCT SPEC		.250 SERIES FASTON TAB						
MATERIAL BRASS		FINISH -		APPLICATION SPEC		RESTRICTED TO				
		WEIGHT	-		SIZE	A3	CAGE CODE	00779	DRAWING NO	C-41291
CUSTOMER DRAWING				SCALE	4:1	SHEET	1 OF 1	REV	AJ	