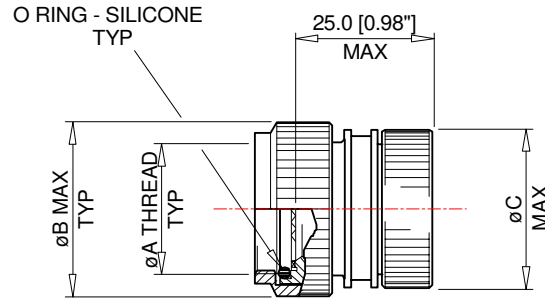


CUSTOMER DRAWING

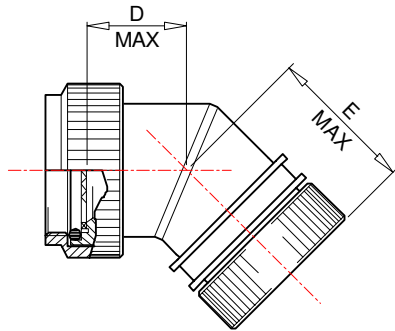
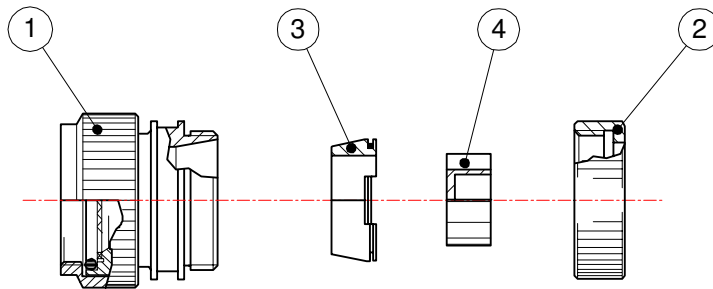
REV:
A

DATE:
Aug 21, 2008



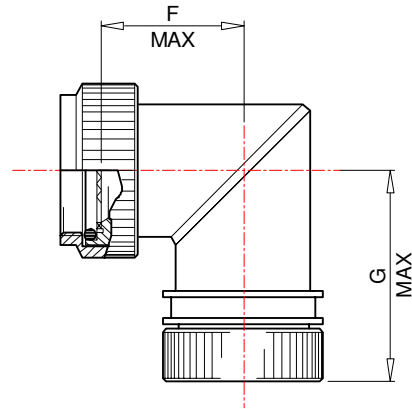
STRAIGHT ADAPTOR

-00



45° ADAPTOR

-45



90° ADAPTOR

-90

© 2008 Tyco Electronics. All rights reserved.



Raychem
Wire and Harnessing Products
300 Constitution Drive
Menlo Park, CA 94025, USA

TITLE:
**HEXASHIELD ADAPTOR FOR
CODE 40 CONNECTORS
PLAIN CLAMPING NUT**

UNLESS OTHERWISE SPECIFIED
DIMENSIONS ARE IN MILLIMETERS.
INCH DIMENSIONS ARE SHOWN IN
BRACKETS

Tyco Electronics reserves the right to amend this drawing at
any time. Users should evaluate the suitability of the
product for their application.

DOCUMENT NO.
HEX40-KC-YY-YY-AYY-1-YY

DRAWN:
IRT

DATE:
OCT 07

CAGE CODE:
06090

DCR #
ECO-08-019355

FILE:
87002/40-KC-1

SCALE:
NONE

SHEET:
1 OF 4

If this document is printed it becomes uncontrolled. Check for the latest revision.

CUSTOMER DRAWING

REV:
ADATE:
Aug 21, 2008

KIT DESCRIPTION


ITEM	DESCRIPTION	MATERIAL
1	BODY ASSEMBLY	STAINLESS STEEL
2	CLAMPING NUT - PLAIN	STAINLESS STEEL
3	CONIC RING	STAINLESS STEEL
4	STAR - PLAIN	STAINLESS STEEL

TABLE OF DIMENSIONS

Order Number	Shell Size		ØA Thread Class 6H	ØB Max	ØC Max	D Max	E Max	F Max	G Max	Ferrule Quantity	
	Mil.	Com.								Std.	Optional
09	A	09	M12 x 1	19.0 [0.75"]	17.5 [0.69"]	12.5 [0.49"]	25.5 [1.00"]	16.0 [0.63"]	29.0 [1.14"]	1	-
11	B	11	M15 x 1	22.0 [0.87"]	21.5 [0.85"]	13.0 [0.51"]	26.0 [1.02"]	17.5 [0.69"]	30.5 [1.20"]	2	-
13	C	13	M18 x 1	25.5 [1.00"]	22.5 [0.89"]	14.0 [0.55"]	26.5 [1.04"]	19.0 [0.75"]	32.0 [1.26"]	3	-
15	D	15	M22 x 1	30.5 [1.20"]	25.5 [1.00"]	14.5 [0.57"]	27.5 [1.08"]	20.5 [0.81"]	33.5 [1.32"]	5	-
17	E	17	M25 x 1	33.5 [1.32"]	28.5 [1.12"]	15.0 [0.59"]	28.0 [1.10"]	22.0 [0.87"]	35.0 [1.38"]	6	7
19	F	19	M28 x 1	37.0 [1.46"]	31.5 [1.24"]	15.5 [0.61"]	28.5 [1.12"]	23.5 [0.93"]	36.5 [1.44"]	7	-
21	G	21	M31 x 1	38.5 [1.52"]	35.0 [1.38"]	16.5 [0.65"]	29.0 [1.14"]	25.5 [1.00"]	38.5 [1.52"]	9	11
23	H	23	M34 x 1	42.0 [1.65"]	38.0 [1.50"]	17.0 [0.67"]	30.0 [1.18"]	27.0 [1.06"]	40.0 [1.57"]	10	11/12/13/15
25	J	25	M37 x 1	46.5 [1.83"]	41.0 [1.61"]	18.0 [0.71"]	31.0 [1.22"]	28.5 [1.12"]	41.5 [1.63"]	12	13/14/15/17/18

PART NUMBERING

© 2008 Tyco Electronics. All rights reserved.

 Raychem Wire and Harnessing Products 300 Constitution Drive Menlo Park, CA 94025, USA			TITLE: HEXASHIELD ADAPTOR FOR CODE 40 CONNECTORS PLAIN CLAMPING NUT			
UNLESS OTHERWISE SPECIFIED DIMENSIONS ARE IN MILLIMETERS. INCH DIMENSIONS ARE SHOWN IN BRACKETS		Tyco Electronics reserves the right to amend this drawing at any time. Users should evaluate the suitability of the product for their application.		DOCUMENT NO. HEX40-KC-YY-YY-AYY-1-YY		
DRAWN: IRT	DATE: OCT 07	CAGE CODE: 06090	DCR # ECO-08-019355	FILE: 87002/40-KC-1	SCALE: NONE	SHEET: 2 OF 4

If this document is printed it becomes uncontrolled. Check for the latest revision.

CUSTOMER DRAWING

REV:
A

DATE:
Aug 21, 2008

HEX40 - K C - 00 - 21 - A9 - 1 - DS

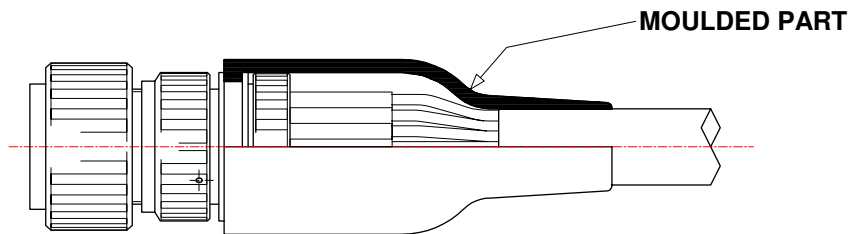
- CONNECTOR CODE NUMBER _____
HEX40 = MIL-C-38999 SERIES III AND IV
- MATERIAL CODE: _____
K = STAINLESS STEEL
- PLATING CODE: _____
C = ELECTROLESS NICKEL TO SAE-AMS-C-26074
- BODY STYLE _____
00 = STRAIGHT
45 = 45°
90 = 90°
- ORDER NUMBER _____
- FERRULE QUANTITY CODE _____
- 1 = PLAIN CLAMPING NUT _____
- DS = DRILLED STAR - SEE NOTE 1 _____

APPLICATION

- These adaptors are designed to be mounted on the following connectors:

MIL-DTL-38999 Series III and IV

- They are qualified to the Raychem specification RB-114, when installed on metallic Mil-Specification circular connectors only.
- They are designed primarily for open wire bundle installation but are also designed to accept Raychem heat shrink moulded parts where strain relief is required – see illustration.




- Use in conjunction with ferrules HET-A-0XX, which are purchased separately. Refer to HET-A-0XX S.C.D. for relevant selection details.

INSTALLATION

- See Installation Procedure RPIP-696-04 (straight bodies) or RPIP-696-07 (45° or 90° bodies) for assembly.
- See Installation Procedure RPIP-696-00 for cable termination.

PACKAGING

© 2008 Tyco Electronics. All rights reserved.

 Raychem Wire and Harnessing Products 300 Constitution Drive Menlo Park, CA 94025, USA			TITLE: HEXASHIELD ADAPTOR FOR CODE 40 CONNECTORS PLAIN CLAMPING NUT			
UNLESS OTHERWISE SPECIFIED DIMENSIONS ARE IN MILLIMETERS. INCH DIMENSIONS ARE SHOWN IN BRACKETS		Tyco Electronics reserves the right to amend this drawing at any time. Users should evaluate the suitability of the product for their application.		DOCUMENT NO. HEX40-KC-YY-YY-AYY-1-YY		
DRAWN: IRT	DATE: OCT 07	CAGE CODE: 06090	DCR # ECO-08-019355	FILE: 87002/40-KC-1	SCALE: NONE	SHEET: 3 OF 4

If this document is printed it becomes uncontrolled. Check for the latest revision.

CUSTOMER DRAWING

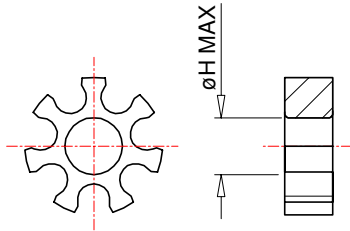
REV:
A

DATE:
Aug 21, 2008

- All components are supplied in a plastic bag.

NOTES!

- Item 4 - Star - is **not** supplied with Hexashield Order Number 09.
- The DS option, illustrated below, is for a Drilled Star that is available on sizes 15 to 25 only. This option is to allow unshielded wires to pass through the assembly.

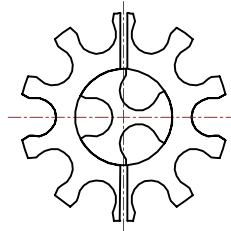


STAR SIZE	15	17	19	21	23	25
ØH MAX	3.0 [0.12"]	6.0 [0.24"]	9.0 [0.35"]	12.0 [0.47"]	15.0 [0.59"]	18.0 [0.71"]

- Where the ferrule quantities required are standard, the item 4 - Star - is also standard. If the optional quantity is selected then 2 items 4 will be supplied - one "split" and the other one standard. See below for illustration. Note: Star combination may vary from Order Number to Order Number.


EXAMPLE: FERRULE QUANTITY CODE -A13

-A13 = -A10 SPLIT STAR + -A3 STANDARD STAR



- Assembly is to be permanently marked with Code Identity Number and Part Number. (e.g. 06090 HEX40-KC-00-21-A9-1)

© 2008 Tyco Electronics. All rights reserved.

 Raychem Wire and Harnessing Products 300 Constitution Drive Menlo Park, CA 94025, USA			TITLE: HEXASHIELD ADAPTOR FOR CODE 40 CONNECTORS PLAIN CLAMPING NUT			
UNLESS OTHERWISE SPECIFIED DIMENSIONS ARE IN MILLIMETERS. INCH DIMENSIONS ARE SHOWN IN BRACKETS		Tyco Electronics reserves the right to amend this drawing at any time. Users should evaluate the suitability of the product for their application.		DOCUMENT NO. HEX40-KC-YY-YY-AYY-1-YY		
DRAWN: IRT	DATE: OCT 07	CAGE CODE: 06090	DCR # ECO-08-019355	FILE: 87002/40-KC-1	SCALE: NONE	SHEET: 4 OF 4

If this document is printed it becomes uncontrolled. Check for the latest revision.