



Mallory Sonalert Products, Inc.

Part #: **JT120-R-CD**

Sales Outline Drawing

Revision: **C**

Specifications:

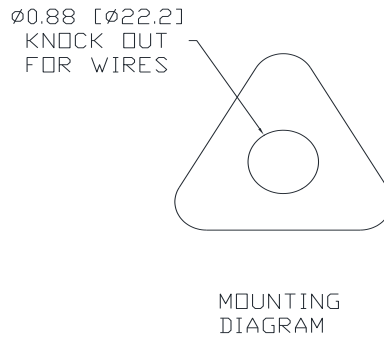
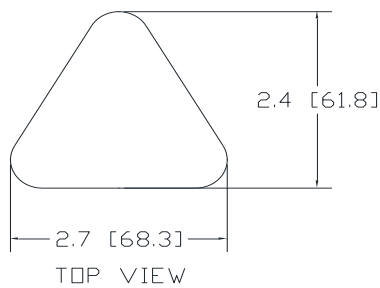
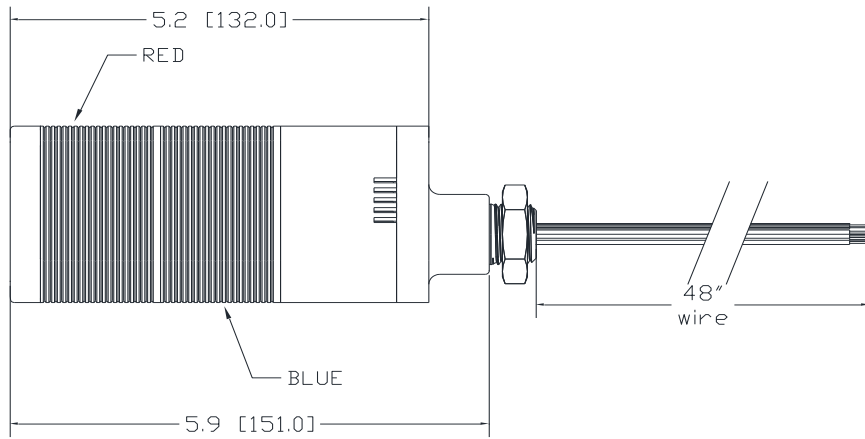
Stack Number:	1			
LED Color:	RED			
Connection Wires:	Red and Brown			
LED Current Draw:	<210 mA			
Rated Voltage:		120 VAC		
Operating Voltage:		90-120 VAC		
Total Max Current:		<210mA		
Operating Temperature:		-25° ~ +60°C		
Lens Color:		Opaque White		
Material:		ABS FR15U		
Mounting Method:		Direct Mount using 1/2" NPT Stainless Steel Pipe and Nut		
Weight Typical (g):		165		
NEMA 12:		Approved		
Options:		Please contact factory.		

Dimensions: Inches (mm)

cUL Recognized

ROHS Compliant

PATENT NUMBER D898600



LED OPERATION: CONNECT STACK COLOR WIRE TO POWER AND BROWN WIRE TO POWER.