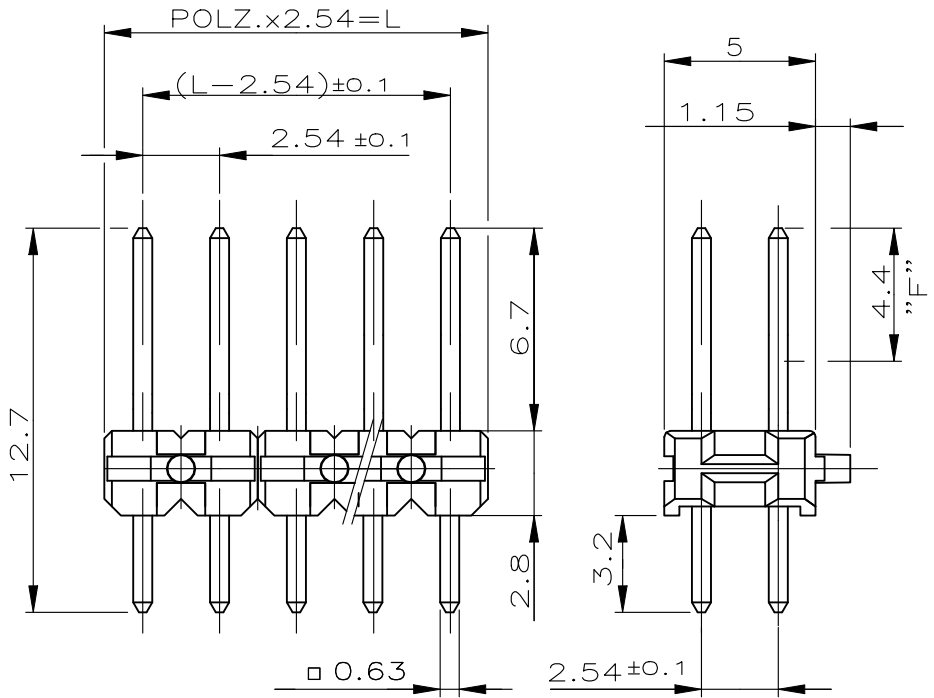


REVISIONS

P	LTR	DESCRIPTION	DATE	DWN	APVD
	G1	NOTE 1 0.76µm PLATING UPDATE (PdNi+AuFLASH)	11JUL2023	BGC	PS

POS. PER ROW	L±0.5	PART NUMBER.
-	-	-
2	5.08	825440 -2
3	7.62	-3
4	10.16	-4
5	12.70	-5
6	15.24	-6
7	17.78	-7
8	20.32	-8
9	22.86	-9
10	25.40	1-
11	27.94	1-
12	30.48	1-
13	33.02	1-
14	35.56	1-
15	38.10	1-
16	40.64	1-
17	43.18	1-
18	45.72	1-
19	48.26	1-
20	50.80	2- -0
21	53.34	2- -1
22	55.88	2- -2
23	58.42	2- -3
24	60.96	2- -4
25	63.50	2- -5
26	66.04	2- -6
27	68.58	2- -7
28	71.12	2- -8
29	73.66	2- -9
30	76.20	3- -0
31	78.74	3- -1
32	81.28	3- -2
33	83.82	3- -3
34	86.36	3- -4
35	88.90	3- -5
36	91.44	3- -6
37	93.98	3- -7
38	96.52	3- -8
39	99.06	3- -9
40	101.60	4- -0
41	104.14	4- -1
42	106.68	4- -2
43	109.22	4- -3
44	111.76	4- -4
45	114.30	4- -5
46	116.84	4- -6
47	119.38	4- -7
48	121.92	4- -8
49	124.46	4- -9
50	127.00	5- 825440 -0



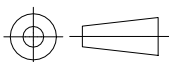
MATING SIDE: Min 0.76µm (PdNi + Au FLASH) IN ZONE "F"
 OVER Min 1.27µm Ni
 (Alternative plating - Min 0.76µm Au OVER Min 1.27µm Ni)
 SOLDER SIDE: Min.2.5 µm TIN OVER Min 1.27µm NICKEL

CONTACT PIN	CuZn	
PIN HOUSING	PBT GV	GREEN
DESCRIPTION	MATERIAL	SURFACE COLOR

TE Connectivity. All Rights Reserved.



DIMENSIONS: mm	DWN M.SCHAARSCHMIDT	22JUN1984	MATERIAL -	FINISH -		
	CHK -	APVD -	TE Connectivity Ltd.			
TOLERANCES UNLESS OTHERWISE SPECIFIED: ±0.2 mm	PRODUCT SPEC 108-18012	NAME AMPMODU II PIN HEADER, DUAL ROW				
0 PLC ± -	APPLICATION SPEC -	SIZE A4	CAGE CODE 00779	DRAWING NO C-825440	RESTRICTED TO -	
1 PLC ± -	WEIGHT -	CUSTOMER DRAWING		SCALE 4:1	SHEET 1 OF 2	REV G1
2 PLC ± -						
3 PLC ± -						
4 PLC ± -						
ANGLES ± -						



REVISIONS					
P	LTR	DESCRIPTION	DATE	DWN	APVD
-	-	SEE SHEET 1	-	-	-

POS. PER ROW	L±0.5	PART NO.	REMARKS
1	2.54	5- -1	
2	5.08	5- -2	
3	7.62	5- -3	
4	10.16	5- -4	
5	12.70	5- -5	
6	15.24	5- -6	
7	17.78	5- -7	
8	20.32	5- -8	
9	22.86	5- -9	
10	25.40	6- 0	
11	27.94	6- -1	
12	30.48	6- -2	
13	33.02	6- -3	
14	35.56	6- -4	
15	38.10	6- -5	
16	40.64	6- -6	
17	43.18	6- 825440 -7	△
18	45.72	6- -8	
19	48.26	6- -9	
20	50.80	7- 0	

△ PACKAGING: 25 STUCK IN PLASTIC TIN
 PN 165439-1 WITH PLASTIC LID
 PN 165440-1

△ OBSOLETE PARTS: OBSOLETE CIS STREAMLINING PER D.RENAUD/D.SINISI

△ OBSOLETE

TE Connectivity. All Rights Reserved.



DIMENSIONS: mm	DWN A.HO	07JUN1984	MATERIAL -	FINISH -		
	CHK M.SCHAARSCHMIDT	13JUN1984	TE Connectivity Ltd.			
TOLERANCES UNLESS OTHERWISE SPECIFIED:	APVD -	-				
0 PLC ± -	PRODUCT SPEC	-	NAME AMPMODU II STIFTLAISTE ZWEIREIHIG			
1 PLC ± -	APPLICATION SPEC	-				
2 PLC ± -	WEIGHT	-	SIZE A4	CAGE CODE 00779	DRAWING NO C-825440	RESTRICTED TO -
3 PLC ± -	CUSTOMER DRAWING		SCALE 4:1	SHEET 2 OF 2	REV G	
4 PLC ± -						
ANGLES ± -						

