



18000 MHz Suspended Stripline High Pass Filter

Part Number: AE18000SSH6613



ANATECH ELECTRONICS INC
RF & Microwave Filters & Products

Electrical Specifications

- Cut Off Frequency:** 18GHz
- Pass Band Frequency:** 18~28GHz
- Pass Band Insertion Loss:**
 - ≤2.0dB @ 18~19.5GHz
 - ≤1.0dB @ 19.5~28GHz
- Pass Band VSWR:** ≤1.8:1
- Stop Band Attenuation:** ≥50dB @ DC~15GHz
- Impedance:** 50 Ohms
- Power Handling:** ≤15W

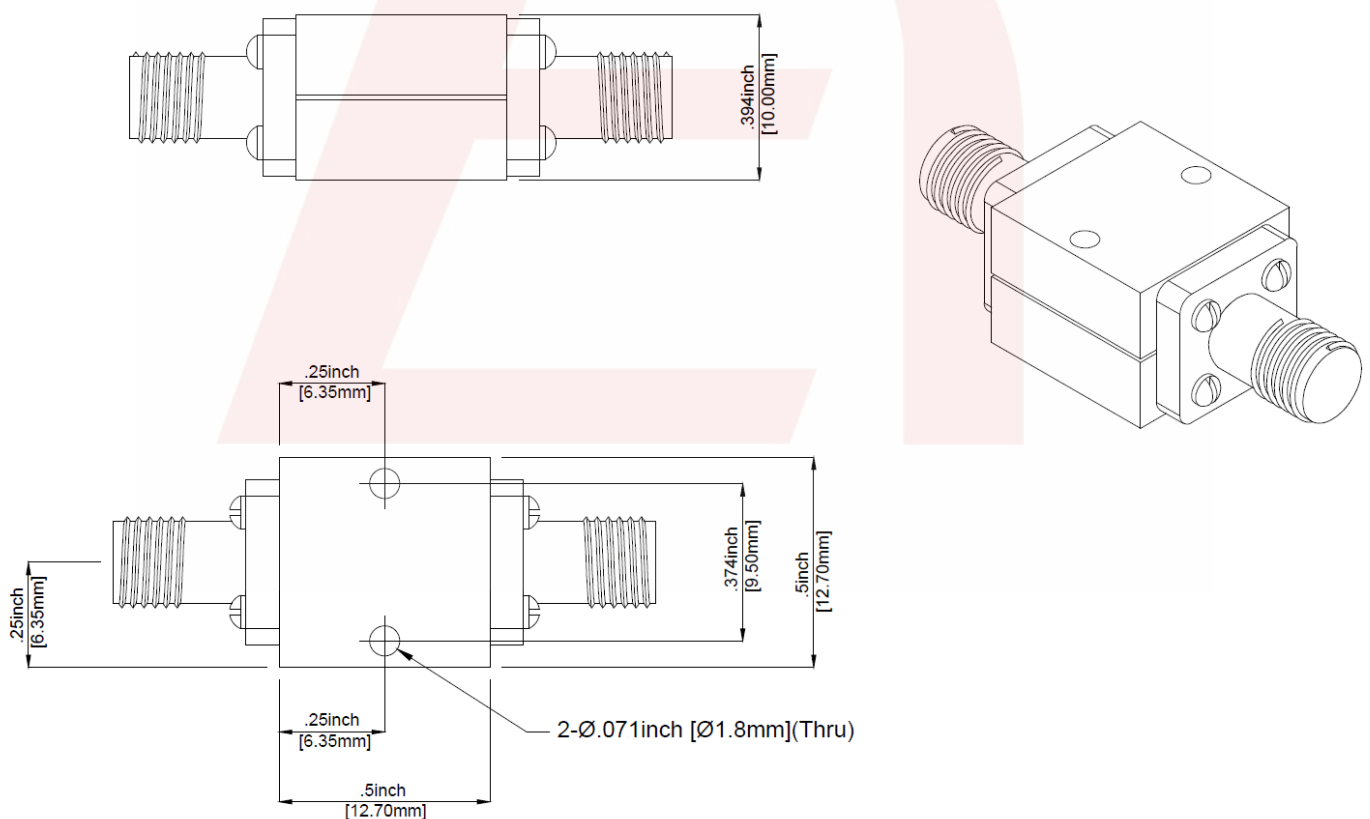
Mechanical

- Mounting Method:** Through Holes
- Connector Type:** SMA-Female
- Dimensions:** 12.7 x 12.7 x 10.0 mm

Environmental

- Operating Temperature:** -45° to +85° C
- Storage Temperature:** -55° to +95° C
- Shock:** 20 G. 11ms
- Vibration:** 20 G. 5 to 200 Hz

Outline Drawing:



DS-SSH6613-01252019-Rev0