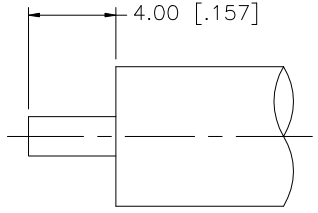
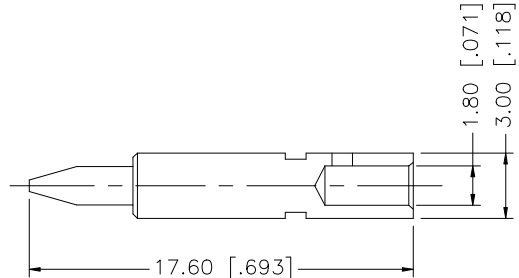
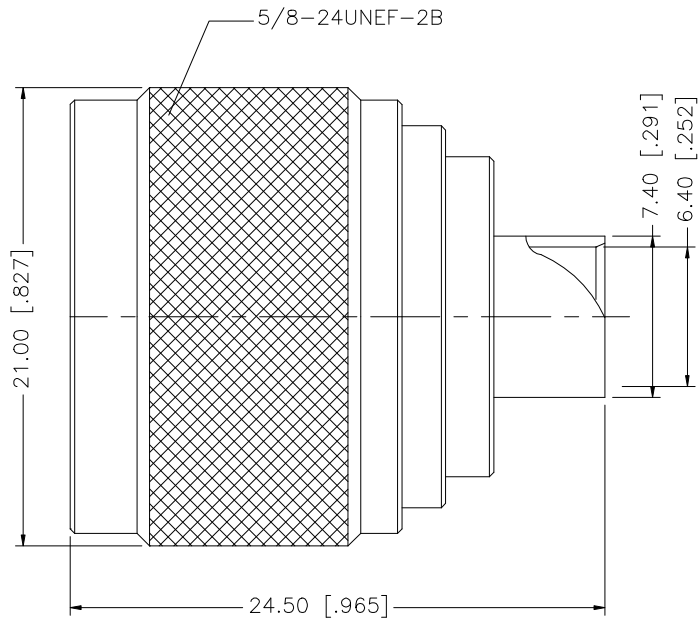


REV.	DATE	DESCRIPTION
A	04/31/03	UPDATE DRAWING FORMAT



RECOMMENDED
CABLE STRIPPING DIM'S

NOTE:
1. CRIMPED CONTACT PIN
HEX CRIMP SIZE .100"
OR SOLDER

REV.	DESCRIPTION	MATERIAL	FINISH	QTY	UNLESS OTHERWISE SPECIFIED DIMENSIONS ARE IN MILLIMETERS, DIMENSIONS IN [] ARE IN INCHES AND FOR CUSTOMER REFERENCE ONLY.	APPROVALS	DATE	Amphenol Connex							
8					UNLESS OTHERWISE SPECIFIED TOLERANCES FOR MILLIMETERS ARE: 0.5 - 8mm ± 0.20mm 8 - 30mm ± 0.40mm 30 - 120mm ± 0.50mm UNLESS OTHERWISE SPECIFIED TOLERANCES FOR INCHES ARE: .020 - .315 = ± 0.007" .315 - 1.180 = ± 0.015" 1.180 - 4.724 = ± 0.020"	DRAWN	G.R.S.	04/31/03	N DIRECT SOLDER PLUG (.250" SEMI-RIGID CABLE)						
7				CHECKED				PART DESCRIPTION							
6						ISSUED						PART NO.			
5						SHEET	1 OF 1					172139			
4	COUPLING NUT	BRASS	NEXCOTE	1								DWG. NO.	172139.DWG	REV.	A
3	BODY	BRASS	GOLD	1				DO NOT SCALE DRAWING			C:/172/172139.DWG				
2	CONTACT PIN	BRASS	GOLD	1											
1	INSULATOR	TEFLON	NATURAL	1											