

EMI/EMC FILTER

RoHS

IH SERIES



Features

- Ideally suited for products that must conform to part 15, FCC regulations
- Metal cased miniature type with high performance
- Meet over voltage category II of IEC 60664 and comply with IEC 60950
- Uses IEC connector that meets the safety standards from certification bodies
- Snap in type for quick mounting
- Both soldering lug type and faston tab type are available

Applications

- Digital equipments
- Personal computers and peripherals
- Measuring instruments
- For use in miniature equipments
- For monitors display units

Specifications

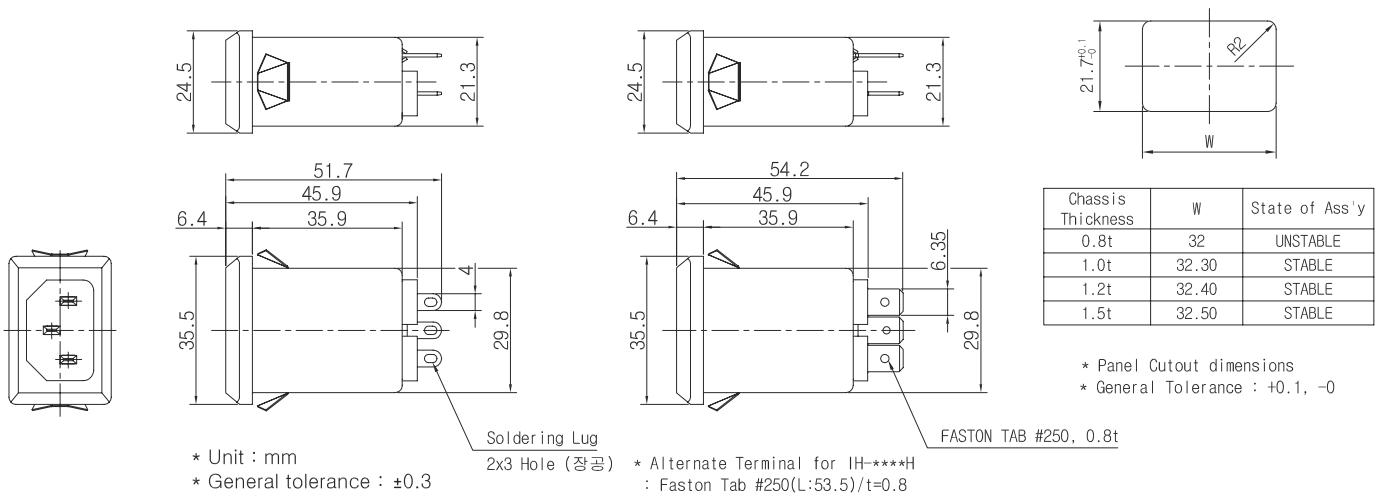
Model	Rated Voltage (AC, DC)	Rated Current	Leakage Current (250V AC)	Operating Temperature
IH-0242*	250V (50/60Hz)	2A	0.35mA max.	-25°C to +85°C Including temperature rise Derating Curve
IH-0342*		3A		
IH-0642*		6A		
IH-1022*		10A		
IH-15A2*		15A		

Note
 Test Voltage : 1500V AC one minute, line to earth
 Insulation Resistance : 300 Mohm min. at 500V DC
 Voltage Drop : 1V max. at rated current
 Weight : 45g

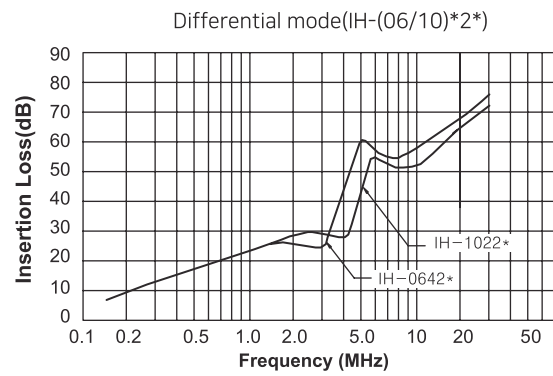
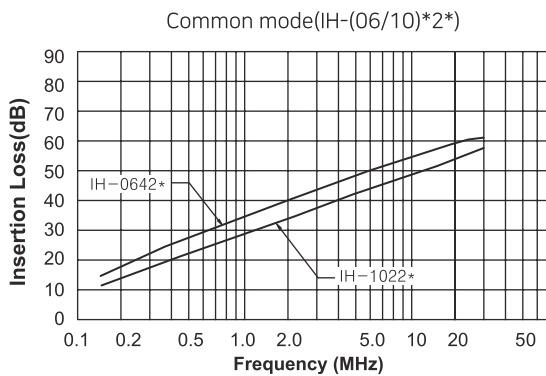
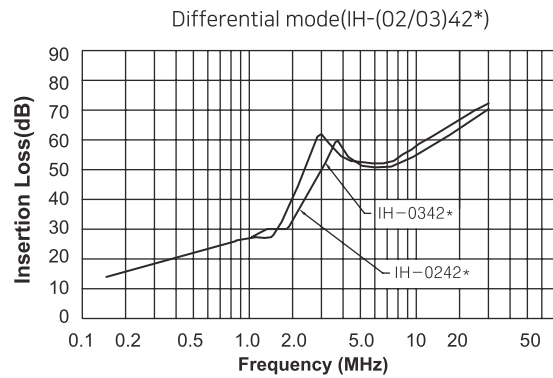
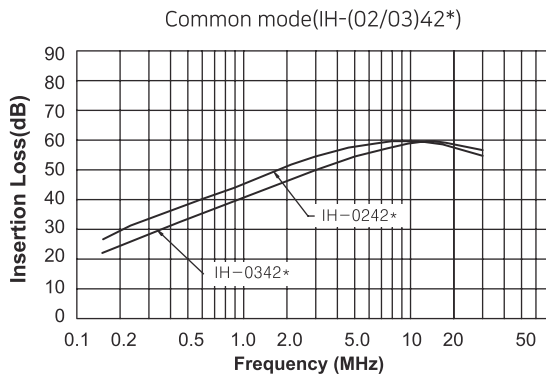
Model Number Construction

I	H	03	4	2	S
Input Connector I : IEC Connector	Special Design H : Snap-in with Lock spring	Current Rating : AC rms 01,N01 : 1amp 02,N02 : 2amp 03,N03,L03 : 3amp 06,N06 : 6amp N08 : 8amp 10,N1 : 10amp 15,N15 : 15amp ("L","N" high performance)	Line-Line Cap.Value 2 : 0.022 μ F 4 : 0.047 μ F A : 0.1 μ F B : 0.15 μ F	Line-Gnd Cap.Value 1 : 1500 pF 2 : 2200 pF 3 : 3300 pF C : 330 pF D : 470 pF E : 1000 pF 0 : None	Output Terminal S: Soldering Lug H: Faston Tab #250

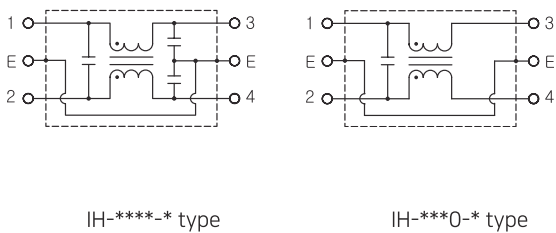
Shapes and Dimensions



Attenuation Characteristics



Circuit Diagram



Measurement Configuration

