

# Customer Information Sheet

DRAWING No.: MMCX-3005

SHEET 2 OF 2

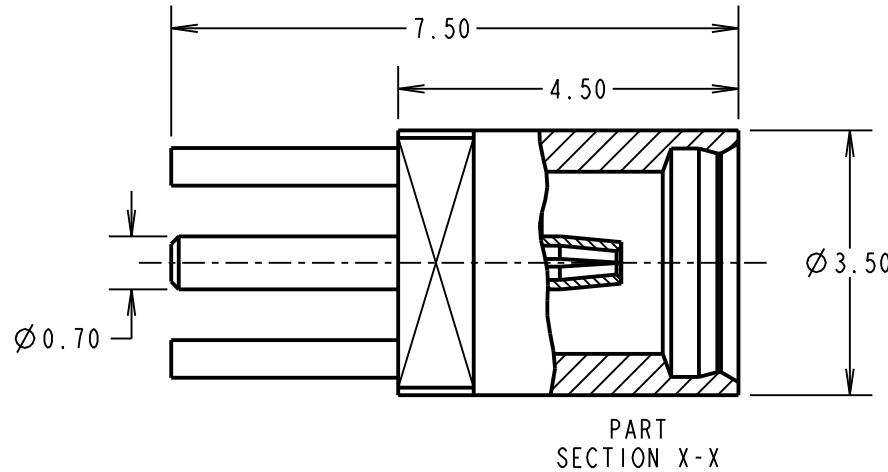
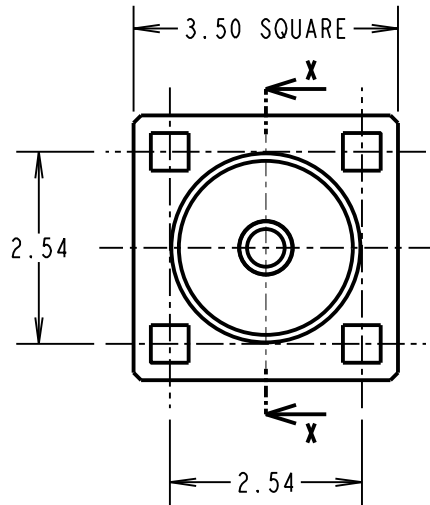
IF IN DOUBT - ASK

©

NOT TO SCALE

THIRD ANGLE PROJECTION

ALL DIMENSIONS IN mm



**SPECIFICATIONS:**

**MATERIALS:**

BODY = BRASS  
CENTRE CONTACT = BERYLLIUM COPPER  
INSULATOR = PTFE

**FINISH:**

BODY = 0.075µ MIN GOLD  
CENTRE CONTACT = 0.75µ MIN GOLD

**ELECTRICAL:**

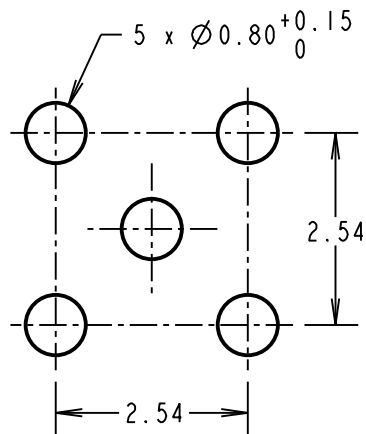
FREQUENCY RANGE = 0 TO 6 GHz  
NORMAL IMPEDANCE = 50 OHMS  
V.S.W.R. = 1.22 MAX  
INSERTION LOSS = 0.2 dB MAX AT 1GHz  
OPERATING VOLTAGE = 250V AC MAX  
DIELECTRIC STRENGTH = 500V AC MAX  
CONTACT RESISTANCE (BODY) = 2.5 mΩ MAX  
CONTACT RESISTANCE (CENTRE CONTACT) = 5.0 mΩ MAX  
INSULATION RESISTANCE = 1,000 MΩ MIN

**ENVIRONMENTAL:**

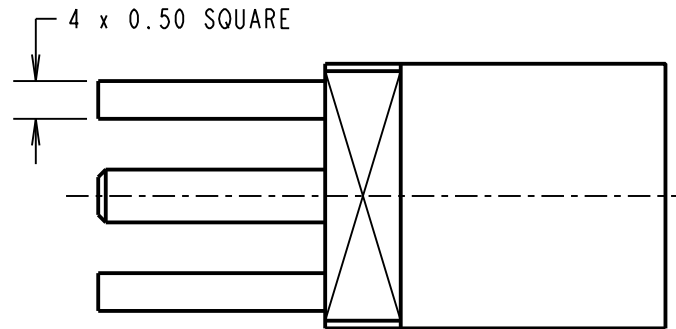
TEMPERATURE RANGE = -55°C TO +155°C

**MECHANICAL:**

DURABILITY = 500 CYCLES



RECOMMENDED  
PCB LAYOUT



**NOTES:**

1. FOR COMPLETE SPECIFICATION AND INTERFACE DIMENSIONS, SEE COMPONENT SPECIFICATION C036XX (LATEST ISSUE).

SB	2	17.09.12	11801
NAME	ISS.	DATE	C/NOTE
APPROVED:		S. BENNETT	
CHECKED:		M. PLESTED	
DRAWN:		W. J. BOURNE	
CUSTOMER REF.:			
ASSEMBLY DRG:			

ORDER CODE:  
**MMCX-3005**  
FINISH \_\_\_\_\_  
05 - GOLD

**HARWIN**

www.harwin.com  
technical@harwin.com

THIS DRAWING AND ANY INFORMATION OR DESCRIPTIVE MATTER SET OUT HEREON ARE CONFIDENTIAL AND COPYRIGHT PROPERTY OF THE HARWIN GROUP AND MUST NOT BE DISCLOSED, LOANED, COPIED OR USED FOR MANUFACTURING, TENDERING OR FOR ANY OTHER PURPOSE WITHOUT THEIR WRITTEN PERMISSION.

**TOLERANCES**  
X. = ±1mm  
X.X = ±0.25mm  
X.XX = ±0.10mm  
X.XXX = ±0.01mm  
ANGLES = ±5°  
UNLESS STATED

**MATERIAL:**  
SEE ABOVE  
**FINISH:** SEE ABOVE  
**S/AREA:** mm<sup>2</sup>

**TITLE:**  
VERTICAL PC TAIL JACK  
SOCKET MMCX COAX CONNECTOR

**DRAWING NUMBER:**  
**MMCX-3005**

SHT  
2 OF 2