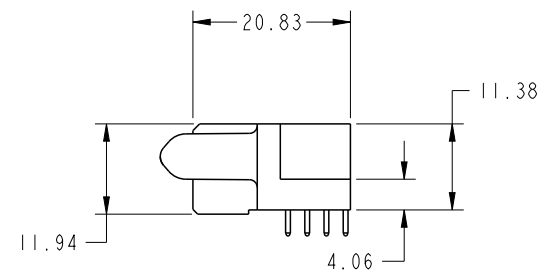
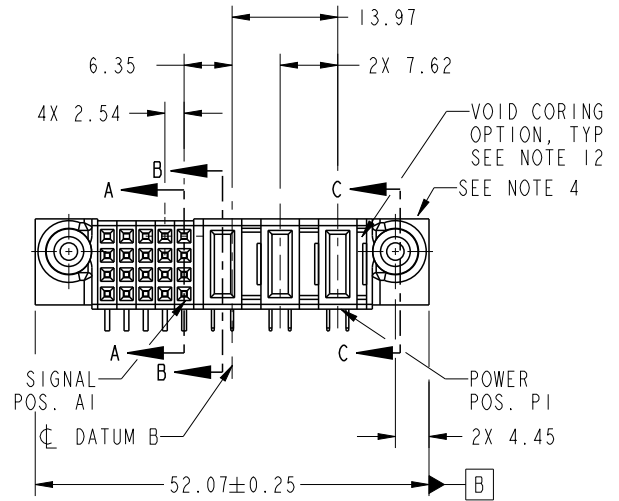




Copyright FCI.

PRODUCT NO. 51915-373-- NOTE 3	ROWS D C B A	SIGNAL					POWER			
		E2	5	4	3	2	1	P3	P2	P1
			H	H	H	H	PA	PA	PA	
			G	G	G	G				
			F	F	F	F				
			E	E	E	E				



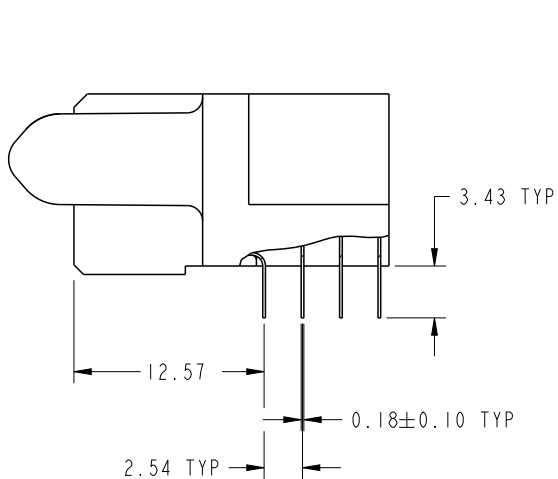
CODE	DIM "M" MATING LENGTH	CONTACT TYPE
PA	[1.07]	POWER
H	[N/A]	SIGNAL
G	[N/A]	SIGNAL
F	[N/A]	SIGNAL
E	[N/A]	SIGNAL

spec ref		SEE NOTES		dr	Luo Weller	2012/08/27	projection 	MM ←→	size	A4	scale	1:1			
tolerance std		TOLERANCES UNLESS OTHERWISE SPECIFIED		eng	Luo Weller	2012/09/11			ecn no	-	rel level			Released	
SEE NOTES				chr	-	-					product family			PwrBlade	
surface	✓	linear	0.X	±0.50	FCI	title	3ACP + 20S	dwg no	51915-373	rev	A	www.fci.com	cat. no.	Product - Customer Drw	sheet 1 of 4
			0.XX	±0.25											
			0.XXX	±0.10											
		angular	0°	±2°											

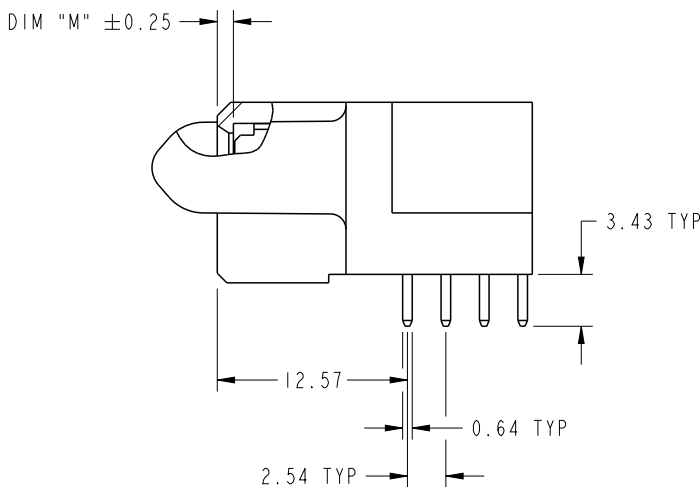
PrdrE File - REV C - 2009-06-09

PRODUCT NUMBER

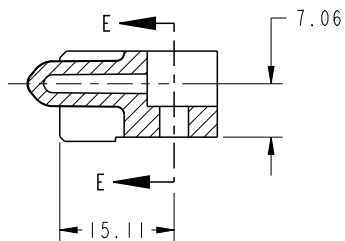
51915-373__
NOTE 3



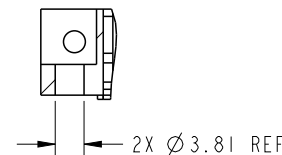
BROKEN-OUT SECTION A-A
SCALE 2:1



BROKEN-OUT SECTION B-B
SCALE 2:1



SECTION C-C

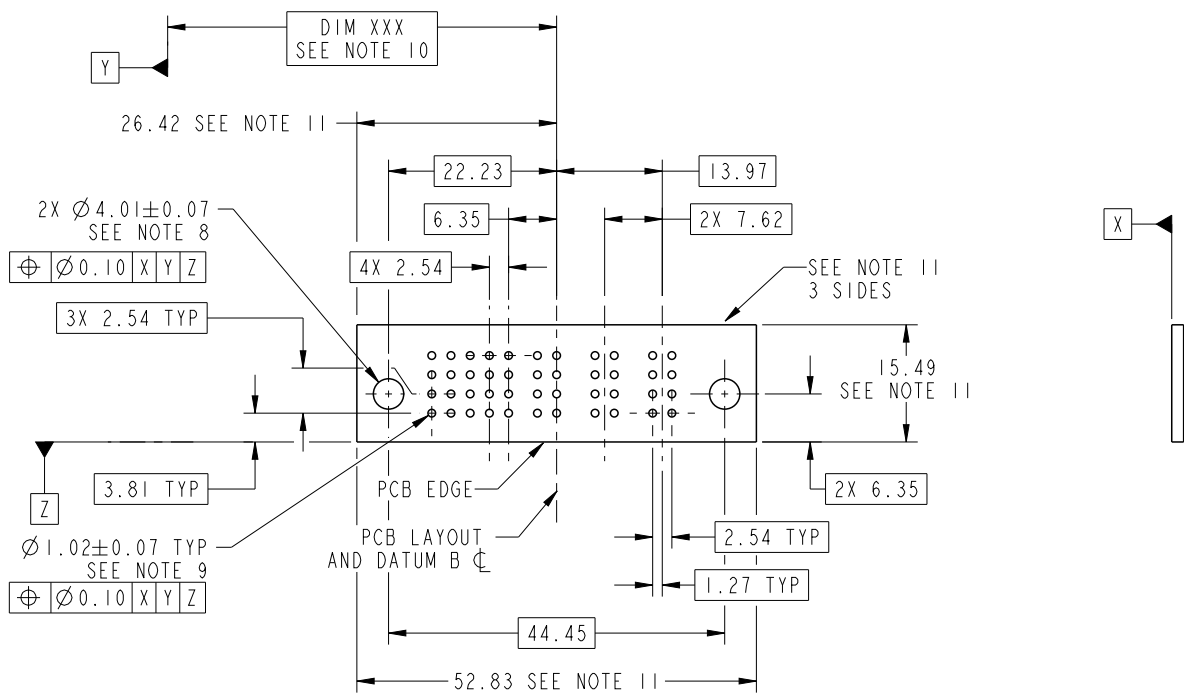


SECTION E-E

dr	Luo Weller	2012/08/27	projection 	MM 	size	A4	scale	1:1
eng	Luo Weller	2012/09/11			ecn no	-		
chr	-	-			rel level	Released		
appr	Pei-Ming Zheng	2012/09/11	product family	PwrBlade	rev	A		
	title	3ACP + 20S R/A SOLDER RECEPTACLE		dwg no	51915-373			
www.fci.com	cat. no.	Product - Customer Drw			sheet 2 of 4			

PRODUCT NUMBER

51915-373__
NOTE 3



RECOMMENDED PCB LAYOUT

dr	Luo Weller	2012/08/27	projection 	MM 	size	A4	scale	1:1
eng	Luo Weller	2012/09/11			ecn no	-		
chr	-	-			rel level	Released		
appr	Pei-Ming Zheng	2012/09/11	product family	PwrBlade	rel level	Released		
	title	3ACP + 20S R/A SOLDER RECEPTACLE		dwg no	51915-373		rev	A
www.fci.com	cat. no.	Product - Customer Drw			sheet 3 of 4			

PRODUCT NUMBER

51915-373__
NOTE 3

NOTES:

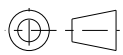


1. DIMENSIONS AND TOLERANCES ARE IN ACCORDANCE WITH ASME Y14.5M, 1994 UNLESS OTHERWISE SPECIFIED.

CONNECTOR NOTES:

- 2. HOUSING MATERIAL: UL 94 V-0 GLASS FILLED HIGH-TEMP THERMOPLASTIC
POWER CONTACT MATERIAL: COPPER ALLOY
SIGNAL PIN MATERIAL: COPPER ALLOY
- 3. SEE ITEM 5 & 6 IN PRINT 10064183 FOR PLATING SPEC OF 51915-373 AND 51915-373LF RESPECTIVELY.
- 4. MANUFACTURER'S NAME, DATE CODE AND OPTIONAL P/N TO APPEAR ON THIS SURFACE. THE MARK CAN BE OMITTED IF THERE IS NOT ENOUGH SPACE ON THIS SURFACE.
- 5. PRODUCT SPECIFICATION GS-12-149.
APPLICATION SPECIFICATION BUS-20-067.
- 6. PACKAGED IN TRAYS.

PCB NOTES:

- 7. ALL HOLE DIAMETERS ARE FINISHED HOLE SIZE.
- 8. MOUNTING HOLES, WHERE APPLICABLE, ARE UNPLATED.
- 9. $\varnothing 1.151 \pm 0.025$ DRILLED HOLES PLATED WITH
0.008 MIN SnPb OR Sn OVER 0.03
TO 0.08 Cu PLATING TO ACHIEVE
 $\varnothing 1.02 \pm .07$ HOLE.
- 10. "DIM XXX" TO BE DETERMINED BY THE CUSTOMER.
- 11. CONNECTOR KEEP-OUT ZONE.
- 12. THE VOID CORING IN BETWEEN POWER MODULES, SIGNAL MODULES AND END MODULES ARE OPTIONAL AND THE SHAPE MAY BE DIFFERENT FOR OPTIMIZE THE MOLDING PROCESS. THE VOID CORING WILL NOT EFFECT TO PRODUCT FUNCTION.

dr	Luo Weller	2012/08/27	projection 	MM 	size	A4	scale	1:1			
eng	Luo Weller	2012/09/11			ecn no	-					
chr	-	-			product family	PwrBlade	rel level	Released			
appr	Pei-Ming Zheng	2012/09/11			title	3ACP + 20S		dwg no	51915-373	rev	A
www.fci.com		cat. no.	Product - Customer Drw			sheet 4 of 4					



Copyright FCI.