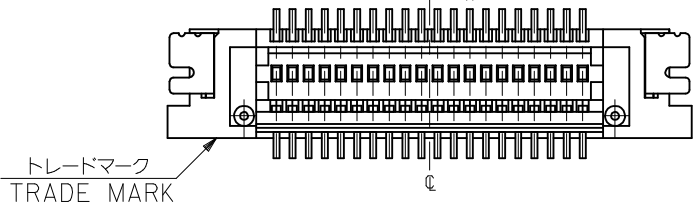
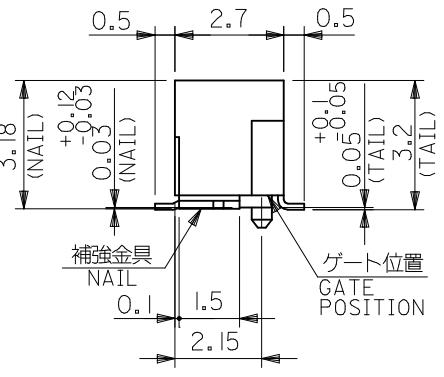
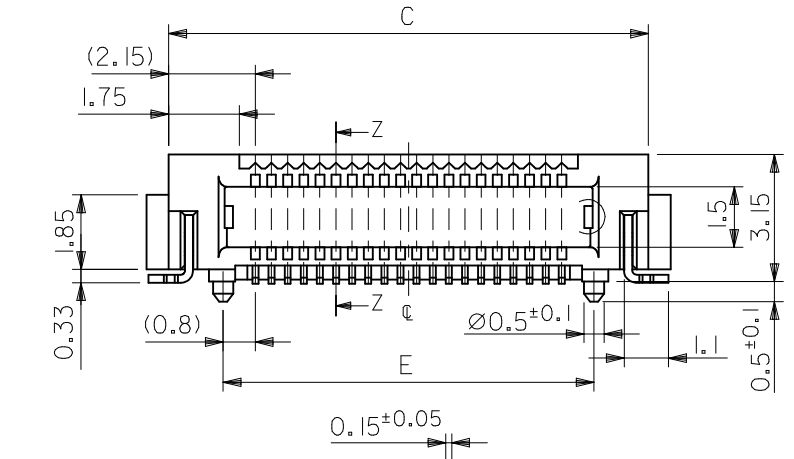


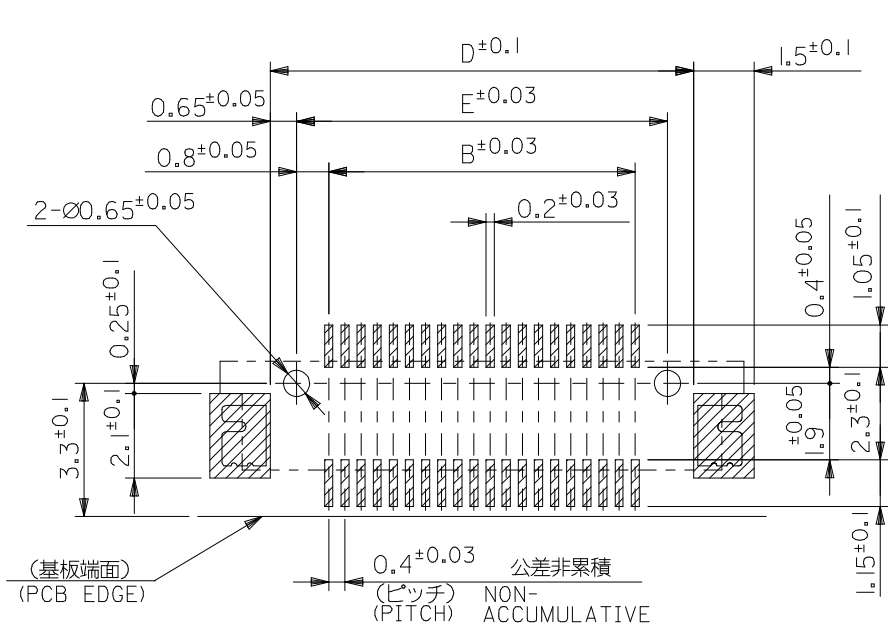
注記 NOTES

1. 使用材料 MATERIAL  
 ウエハー: 液晶ポリマー ガラス充填 UL94V-0 茶色  
 WAFER: LIQUID CRYSTAL POLYMER, GLASS FILLED, UL94V-0, COLOR BROWN  
 ピン: リン青銅 (t=0.15)  
 PIN: PHOSPHOR BRONZE (t=0.15)  
 補強金具: リン青銅 (t=0.2)  
 FITTING NAIL: PHOSPHOR BRONZE (t=0.2)
2. メッキ仕様 PLATING  
 ピン PIN  
 金メッキ (コンタクト部とテール部)  
 GOLD PLATING (CONTACT AND TAIL AREA)  
 下地メッキ: ニッケルメッキ  
 UNDER PLATING: NICKEL  
 補強金具 FITTING NAIL  
 錫メッキ  
 TIN PLATING  
 下地メッキ: ニッケルメッキ  
 UNDER PLATING: NICKEL
3. テール部に適用。  
 APPLY TO THE TAIL AREA.
4. 嵌合相手: 5452 シリーズ  
 MATE WITH: 5452 SERIES.
5. テール平坦度は、0.08 以下  
 テール及び金具の平坦度は、0.1 以下  
 TAIL COPLANARITY TO BE 0.08 MAXIMUM  
 TAIL AND FITTING NAIL COPLANARITY TO BE 0.1 MAXIMUM
6. 本製品は 55394-\*\*\*7 の鉛フリー品である。  
 THIS PRODUCT IS LEAD FREE OF 55394-\*\*\*7.

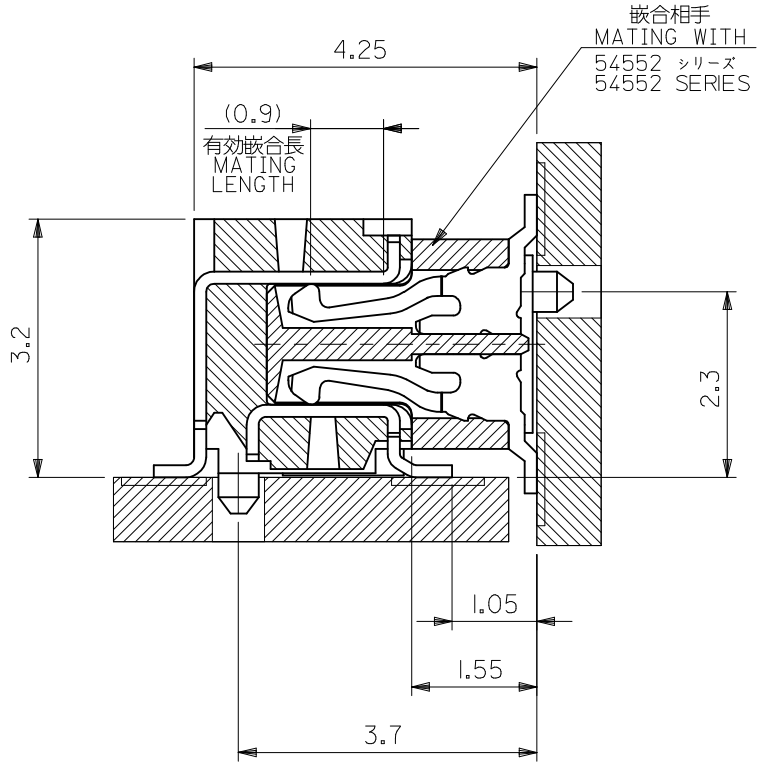


23.2	24.5	25.9	21.6	27	55394-1177	110
19.2	20.5	21.9	17.6	23	55394-0977	90
9.2	10.5	11.9	7.6	13	55394-0477	40
7.2	8.5	9.9	5.6	11	55394-0377	30
E	D	C	B	A	MATERIAL NO.	CIRCUITS

REVISED EC NO: J2010-0433 DRWN: TOSHIMA 2009/09/11 CHKD: SMARUYAMA 2009/09/11 APPR: MSASAO 2009/09/11	GENERAL TOLERANCES (UNLESS SPECIFIED)		DIMENSION STYLE MM ONLY		SCALE ---	MODEL NO. 55394-***7
	10 UNDER	±0.2	DRAWN BY M. NABEI	DATE '05/01/13	TITLE	MOLEX INCORPORATED 0.4 B/B CONN. PLUG ASSY (RA) WITH NAIL -LEAD FREE-
	10 OVER 30 UNDER	±0.25	CHECKED BY KTOJO	DATE '05/01/13		
	30 OVER	±0.3	APPROVED BY N. UKITA	DATE '05/01/13		
ANGULAR ±3 °		MATERIAL NO. SEE CHART		DOCUMENT NO. SD-55394-017		
DRAFT WHERE APPLICABLE MUST REMAIN WITHIN DIMENSIONS		SIZE A3		THIS DRAWING CONTAINS INFORMATION THAT IS PROPRIETARY TO MOLEX INCORPORATED AND SHOULD NOT BE USED WITHOUT WRITTEN PERMISSION		



参考基板レイアウト (マウント面)  
RECOMMENDED P.C.BOARD  
PATTERN DIMENSION (REFERENCE)  
(MOUNTING AREA)



嵌合断面図 (参考)  
MATED DRAWING (REFERENCE)

REVISED EC NO: J2010-0433 DRWN: TOSHIMA 2009/09/11 CHKD: SMARUYAMA 2009/09/11 APPR: MSASAO 2009/09/11	GENERAL TOLERANCES (UNLESS SPECIFIED)		DIMENSION STYLE MM ONLY	SCALE ---	55394-**-77	MODEL NO.
	10 UNDER	±0.2	DRAWN BY M. NABEI	DATE '05/01/13	DESIGN UNITS METRIC	THIRD ANGLE PROJECTION
	10 OVER 30 UNDER	±0.25	CHECKED BY K. TOJO	DATE '05/01/13	0.4 B/B CONN PLUG ASSY (RA) WITH NAIL -LEAD FREE- MOLEX INCORPORATED	
	30 OVER	±0.3	APPROVED BY N. UKITA	DATE '05/01/13		
DESCRIPTION	ANGULAR ±3 °	DRAFT WHERE APPLICABLE MUST REMAIN WITHIN DIMENSIONS	MATERIAL NO. SEE CHART	DOCUMENT NO. SD-55394-017	SHEET NO. 2 OF 2	
REV			SIZE A3	THIS DRAWING CONTAINS INFORMATION THAT IS PROPRIETARY TO MOLEX INCORPORATED AND SHOULD NOT BE USED WITHOUT WRITTEN PERMISSION		