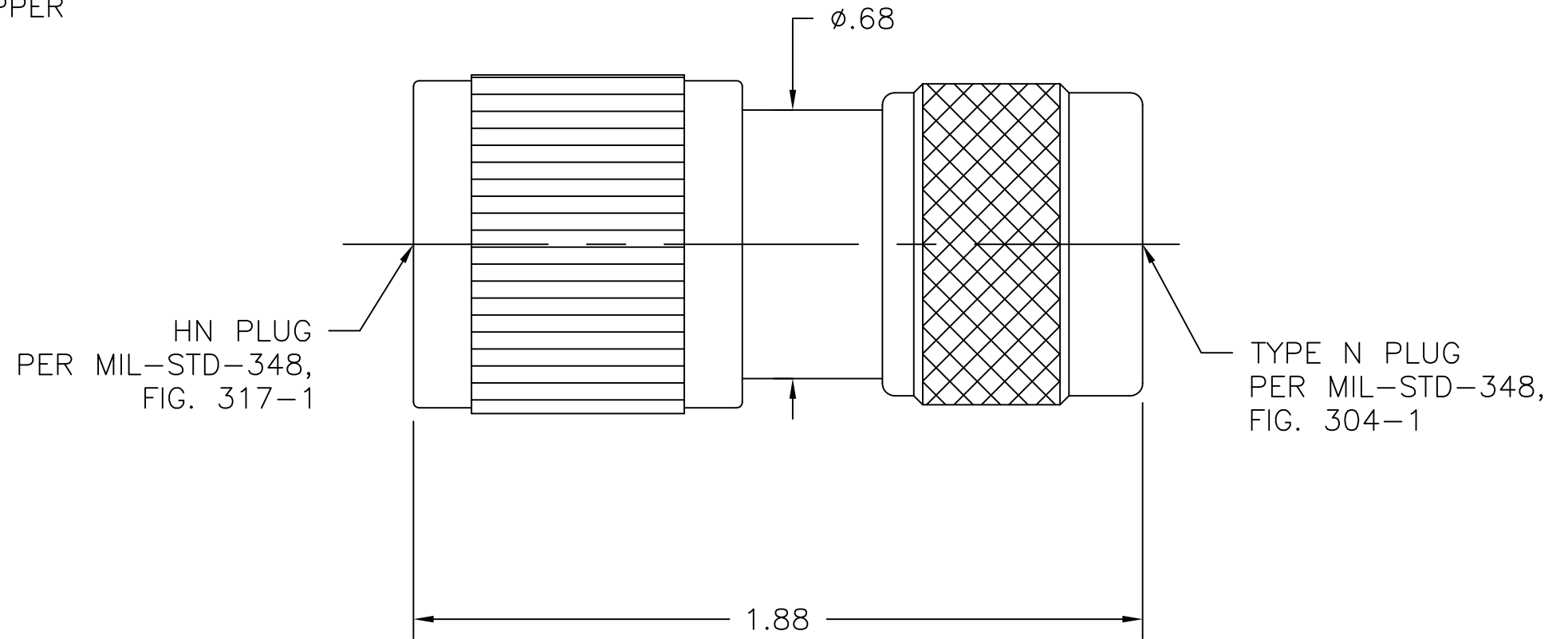



NOTES: UNLESS OTHERWISE SPECIFIED.

1. MATERIALS & FINISH:
 - 1.1 HOUSING & NUTS: PASSIVATED STAINLESS STEEL
 - 1.2 CENTER CONTACT: GOLD PLATED BERYLLIUM COPPER
 - 1.3 DIELECTRIC: PTFE (TEFLON)
 - 1.4 GASKET: SILICONE RUBBER

2. ELECTRICAL SPECIFICATIONS:
 - 2.1 FREQUENCY RANGE: DC TO 8 GHz
 - 2.2 VSWR (MAX):
 - DC TO 4 GHz: 1.08:1
 - 4 TO 8 GHz: 1.20:1
 - 2.3 IMPEDANCE: 50 OHMS NOMINAL



REV.	DESCRIPTION	DATE
-	ADDED TITLEBLOCK	12/14/94
B	ECO 25448	9/28/15

This PROPRIETARY Document is property of Cinch Connectivity Solutions. It is confidential in nature, non-transferable, and issued with the clear understanding that it is no traced or copied without permission and is returnable upon demand. INTERPRET DRAWING ACCORDANCE WITH ASME Y14.5-2009.		CAGE CODE 34078		MIDWEST MICROWAVE	
UNLESS OTHERWISE NOTED DIMENSIONS ARE IN INCHES AND TOLERANCES ARE: 3 PLACE DECIMALS ±.005 2 PLACE DECIMALS ±.02 FRACTIONS ±1/64 PARALLELITY: T.I.R. _____ FLATNESS: T.I.R. _____ CONCENTRICITY: T.I.R. _____ ANGLES AND PERPENDICULARITY: ±1°				TITLE ADAPTER TYPE N PLUG TO HN PLUG	
DRAWN/DATE M. HOLLMAN 12/14/94		ENG./DATE A. OSGA 12/14/94		DRAWING NUMBER ADT-2803-NM-HNM-02-01	
CHECKED/DATE A. BEATTY 12/14/94		APPROVED/DATE J. KEREKES 9/28/15		REV. B	
SCALE: 5=1		SHEET 1 of 1			