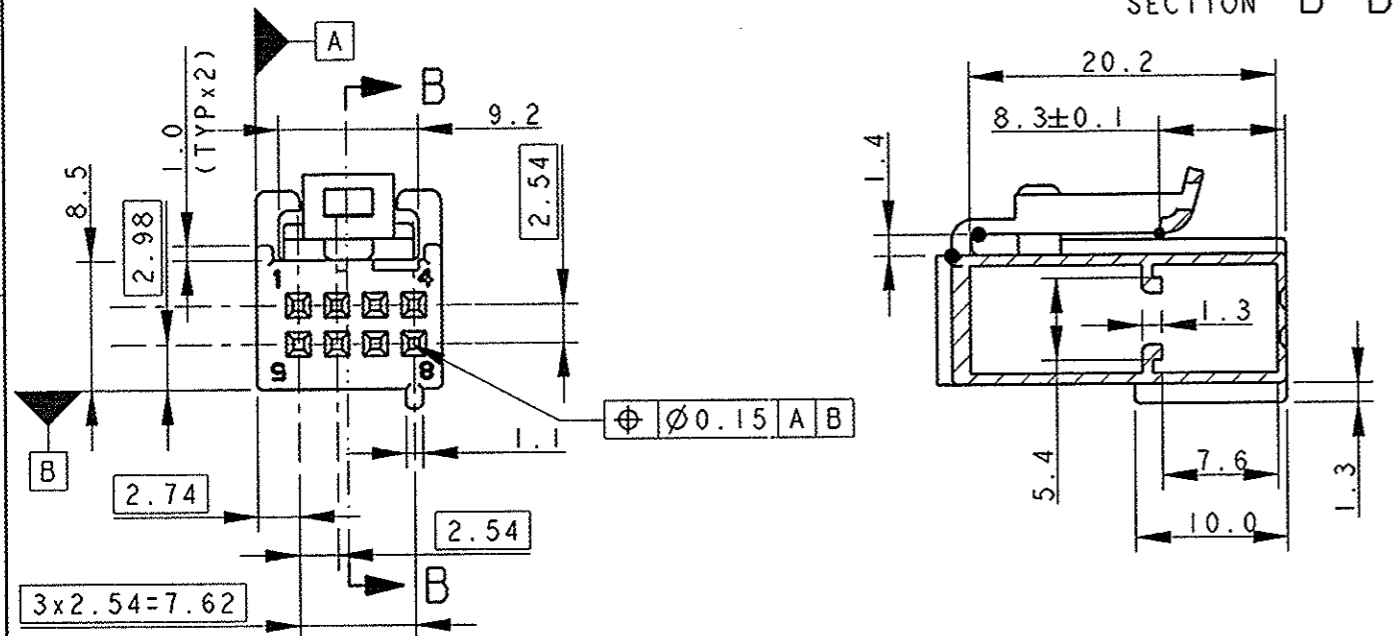
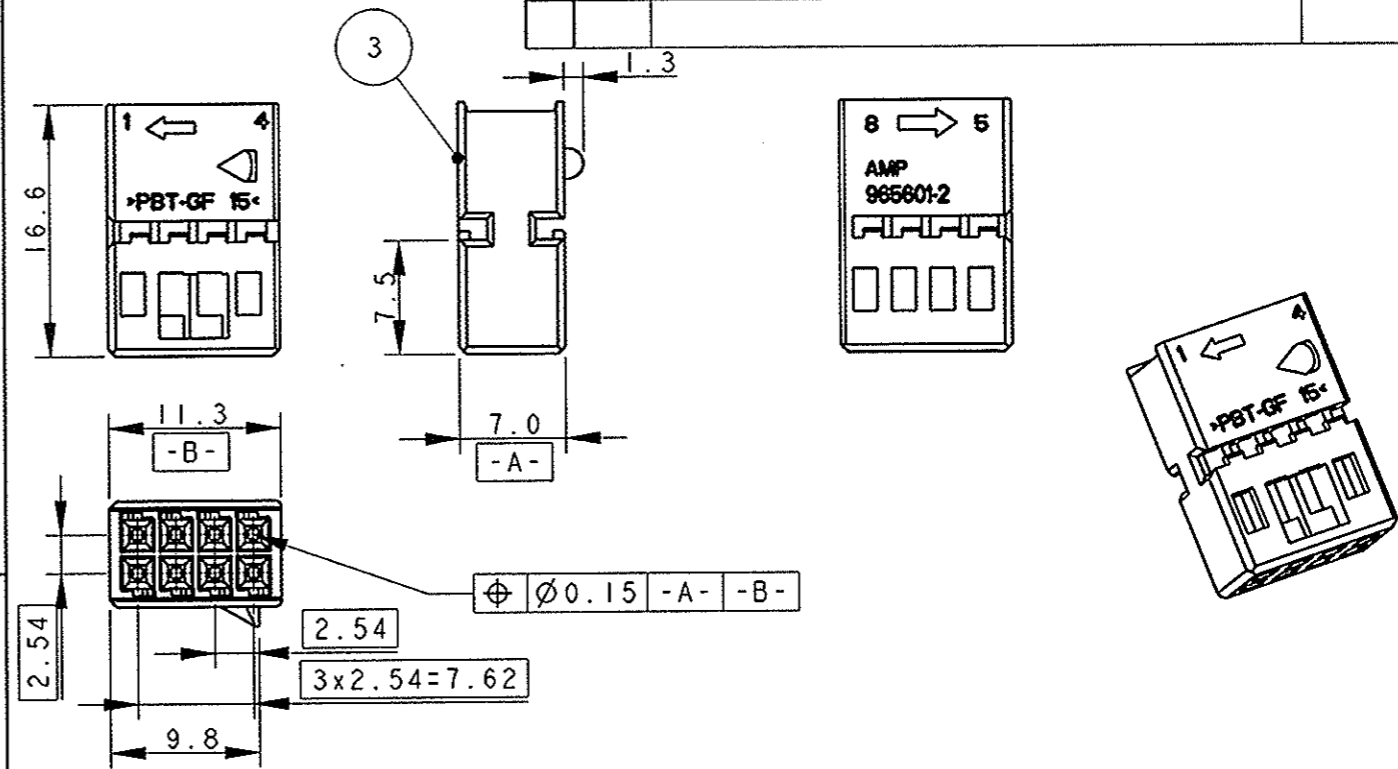


LOC	DIST	P	LTR	DESCRIPTION	DATE	DWN	APVD
1	-			OBSOLETE PARTS 1745000-1 AND -2			
		B		WITH ECR-07-013163	11 JUN 2007	M.P.	R.M.

LOCKING COVER FOR KIT P/N 1745000-3 AS SHOWN

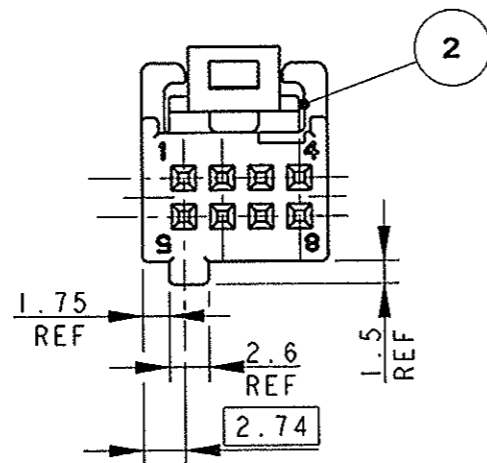
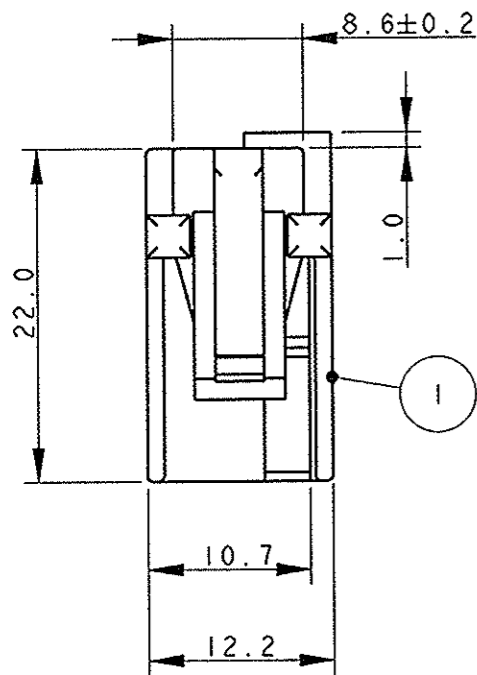


HOUSING P/N 965601-2 FOR KIT P/N 1745000-3 AND -4.



LOCKING COVER FOR KIT P/N 1745000-4

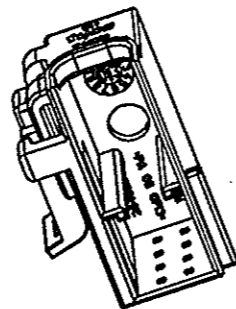
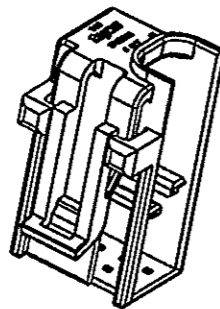
PER NOTE E DIMENSIONI MANCANTI VEDERE COVER PER KIT P/N 1745000-3 (FOR MISSING NOTES AND DIMENSIONS SEE LOCKING COVER FOR KIT P/N 1745000-3)



- 1) CAVITA' ADATTA PER CONTATTO MOS P/N 928999-... E P/N 963715-... (CAVITY SUITABLE FOR MOS CONTACT P/N 928999-... AND P/N 963715-...)
- 2) PER IL DISEGNO DELLA CONTROPARTE VEDERE FOGLIO 2 DI 2 (FOR COUNTERPART DETAIL SEE SHEET 2 OF 2)
- 3) STATO DI FORNITURA: I DUE COMPONENTI SONO VENDUTI IN KIT, IN PARI QUANTITA' NELLA STESSA SCATOLA (SUPPLYING CONDITION: TWO COMPONENTS ARE SOLD IN KIT, SAME QUANTITY IN THE SAME CARTON BOX)

REV.	REV.	ITEM	DESCRIZIONE (DESCRIPTION)	COLORE (COLOUR)	MATERIALE (MATERIAL)
		3	BLOCCHETTO PORTAFEMMINE (SOCKET HOUSING)	NERO (BLACK)	PBT GF
		2	CORAZZA (LOCKING COVER)	GRIGIO (GRAY)	PA 6.6 GF
		1	CORAZZA (LOCKING COVER)	NERO (BLACK)	PA 6.6 GF
-4	-3		DESCRIZIONE (DESCRIPTION)	COLORE (COLOUR)	MATERIALE (MATERIAL)
REV. A	REV. A				

PROPOSAL NO. WAS:
KIT 02-51261



THIS DRAWING IS A CONTROLLED DOCUMENT FOR TYCO ELECTRONICS CORPORATION. IT IS SUBJECT TO CHANGE AND THE CONTROLLING ENGINEERING ORGANIZATION SHOULD BE CONTACTED FOR THE LATEST REVISION.

DIMENSIONS:	TOLERANCES UNLESS OTHERWISE SPECIFIED:
mm	
0 PLC	±
1 PLC	±0.3
2 PLC	±
3 PLC	±
4 PLC	±
ANGLES	±°
MATERIAL	FINISH
VED. TABELLA (SEE TABLE)	

DWN	M. PALMA
CHK	R. MARTINI
APVD	A. GENTA
PRODUCT SPEC	108-20245
APPLICATION SPEC	114-18021
WEIGHT	-
CUSTOMER DRAWING	

tyco Electronics		AMP Italia S.p.A. C.so F.lli Cervi 15 Collegno (TO)	
SOCKET CONNECTOR, 8 POSITIONS KIT FOR MICRO QUADLOK SYSTEM CONTACT			
SIZE	CAGE CODE	DRAWING NO	RESTRICTED TO
A3	00779	C=1745000	-
SCALE 3:1		SHEET 1 OF 2	REV B

