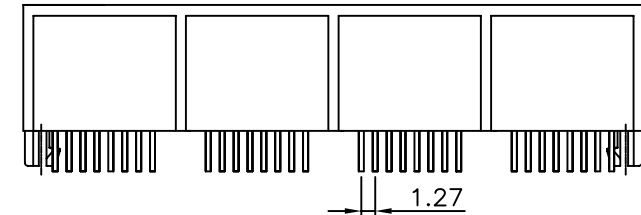
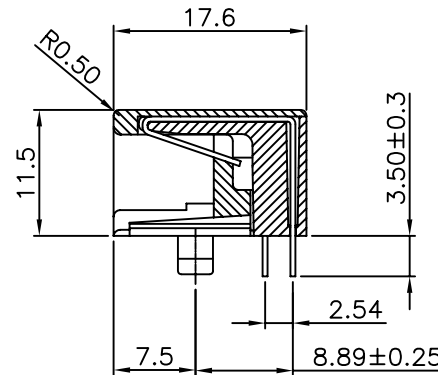
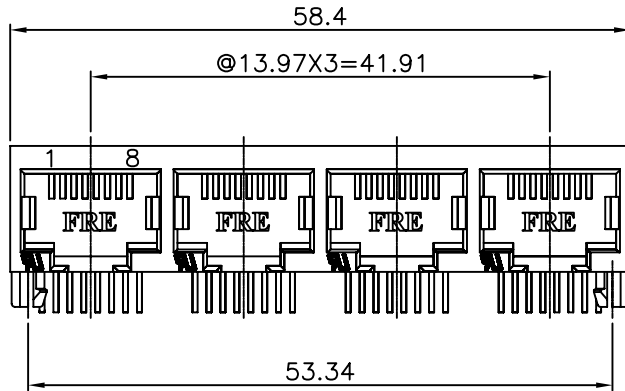


REVISION RECORD		
REV	DESCRIPTION	DRFT



**NOTES:**

**ELECTRICAL:**

- VOLTAGE RATING : 125 VAC RMS.
- CURRENT RATING : 1.5 AMP.
- CONTACT RESISTANCE : 40 MILLIOHMS MAX.
- INSULATION RESISTANCE: 1000 MEGOHMS MIN @ 500 VDC.
- DIELECTRIC STRENGTH : 1000 VDC RMS 60Hz, 1MIN.

**MECHANICAL:**

- HOUSING MATERIAL : GLASS FIBER FILLED PBT, UL94V-0\YELLOW.
- CONTACT MATERIAL : PHOSPHOR BRONZE  $\phi$ 0.46mm.
- PLATING : GOLD PLATING OVER NICKEL.
- OPERATING LIFE : 750 CYCLES MIN.
- PCB RETENTION PRE-SOLDE : 1 LB MIN.
- PCB RETENTION POST-SOLDER: 10 LBS MIN.

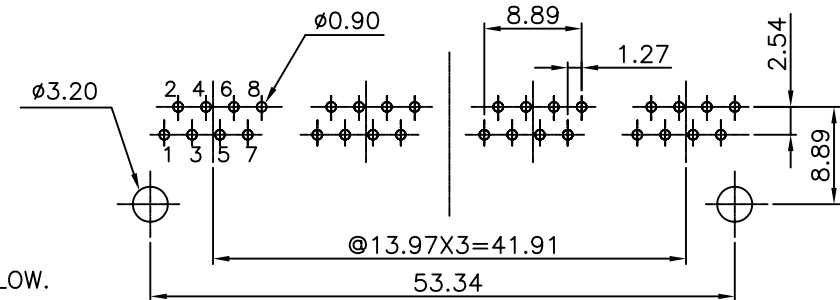
**ENVIRONMENTAL:**

- STORAGE : -40°C TO +85°C.
- OPERATION: -40°C TO +85°C.
- WAVE SOLDER TEMPERATURE: 235°C~245°C (3~5 SECONDS).
- RoHS COMPLIANT.

MATES WITH MODULAR PLUG CONFORMING TO

FCC PART 68, SUBPART F.

CUL FILE NO. E163191



PC BOARD LAYOUT T=1.60mm  
COMPONENT SIDE SHOWN  
TOLERANCES±0.05mm

E5608-00CW72-L	6u"
PART NO.	Au PLATING

		<b>RoHS Compliant</b>			
TOLERANCES EXCEPT AS NOTED		<b>TITLE</b> 11.5 SIDE ENTRY PCB GANG JACK 8P			
MM	±				
.0 ± 0.25 .00 ± 0.20 .000 ± 0.10	±				
ANGLES ± 1°		DFTO : ELLA	DRAWING NO. CE5608-00CW7X-L	SIZE A3	REV 0
		DATE : 09/17/2012	/PART NO. E5608-00CW72-L		
THIRD ANGLE PROJECTION		SCALE : 1:1	DO NOT SCALE DRAWING		SHEET 1 OF 1