

## Klippon® STB – Stainless Steel Enclosures

# NEW



For many decades the name Klippon® has been synonymous for competence and quality in our proven supply of enclosures and customer solutions for standard industrial and hazardous environment applications. This philosophy continues with our Klippon® STB range of stainless steel enclosures.

Ideally suited to the transportation, energy and process industries; the Klippon® STB is a natural compliment to our existing Klippon® enclosures product portfolio.

The enclosures are approved to international standards e.g. EN 62208 and EN 60079-0/7 (ATEX)

Some of the many advantages of these enclosures are:

- High temperature silicone gasket fitted as standard (improved temperature range -50 °C to +120 °C)
- Flexible internal terminal rail mounting options
- Gasket compression control ensuring gasket lifetime performance is not compromised
- Earth stud fitted to body and lid
- Laser welding for quality finish and results
- Mounting lugs pre-fitted and ensure secure product mounting



### United Kingdom

Weidmüller Ltd.  
1 Abbey Wood Road  
Kings Hill  
West Malling  
Kent ME19 4YT  
Phone +44 1732 877000  
Fax +44 1732 873873  
info@weidmuller.co.uk  
www.weidmueller.com

### USA

W-Interconnections, Inc.  
821 Southlake Boulevard,  
Richmond, VA 23236  
Phone +1 804 7942877  
Fax +1 804 3792593  
info@weidmuller.com  
www.weidmuller.com

### Other countries

Weidmüller Interface GmbH & Co. KG  
P.O. Box 3030  
32720 Detmold  
Phone +49 5231 14-0  
Fax +49 5231 14-20 83  
info@weidmueller.com  
www.weidmueller.com

# Improved product features – to meet your demands

## 1 Flexible internal mounting options

C-Profile (TAS 20) rail fitted as standard with M5 sliding fixing nuts included to ensure stability of rail assembly and to help provide the maximum possible internal working area.

## 2 High temperature gasket

A high temperature silicone gasket offers enhanced product performance in extreme temperature conditions (-50 °C to +120 °C).

## 3 Gasket compression control

Guarantees Ingress Protection (IP) performance and ensures that the gasket is not compromised during use.

## 4 Earth stud fitted inside lid

Provides earthing of hazardous potential of the removable lid as required by the latest industrial and ATEX standards.

## 5 Mounting lugs

Mounting lugs are pre-fitted as standard and are designed to be secure in operation (vibration and shock tested).

## 6 Internal/External Earth Stud

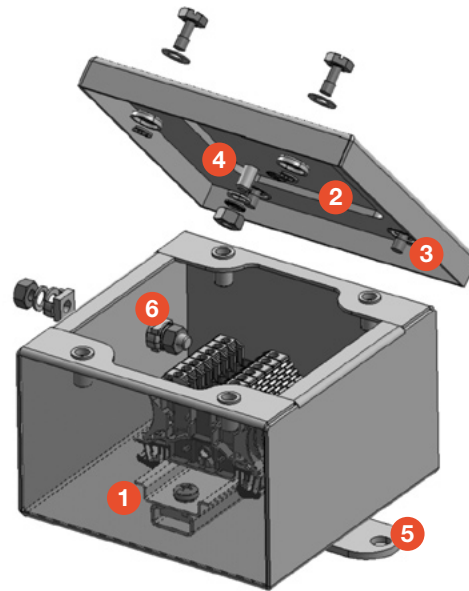
No ingress path and eliminates any potential for IP failure in the field through the earth stud.

## 7 Laser welding for quality results

Provides consistent IP protection and maintains a quality finish.

## 8 International approvals

Approved for use within hazardous areas (including Ex e - increased safety) applications.



**Klippon® STB 1**

Steel Enclosures for use in Industrial and Hazardous Area Applications



**Dimensions**

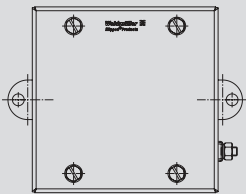
Height x Width x Depth	mm	<b>120 x 120 x 80</b>
Weight	kg	<b>1.34</b>

**Technical Data**

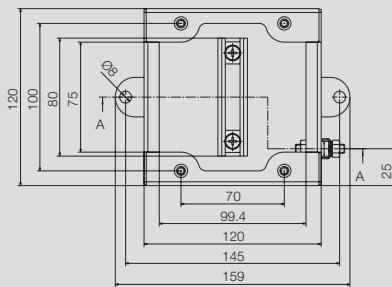
<b>Enclosure Material:</b> Stainless Steel 1.4404(316L) 1.50mm	<b>Approvals for Empty Enclosure:</b>
<b>Ingress Protection:</b> IP66	ATEX Certification: IBExU 07ATEX1147 U
<b>Earthing:</b> Body-Internal/External M6 Stainless Steel	ATEX Marking: Ⓜ II 2 G Ex e II
Lid - M6 x 12 Stainless Steel	Ⓜ II 2 D Ex tD A21 IP66
<b>Internal Mounting:</b> via C-Profile welded	cULus: E 197061
<b>External Mounting:</b> 2 External lugs with 8 mm holes	Lloyds Register: 08/20032
<b>Lid Opening:</b> Fully detachable lid with 4 x M5 Bolts	Germanischer Lloyd: 5935808 HH
<b>Impact Resistance:</b> 7J ATEX	Gost: POCC DE.ME25.B01450
10J industry standard	<b>Approvals for Control and Distribution Box:</b>
<b>Gasket Material:</b> Silicone -50 °C to +120 °C	ATEX Certification: IBExU 07ATEX1148
<i>Gasket compression control in accordance with manufacturers recommendation</i>	ATEX Marking: Ⓜ II 2 GD Ex e II Tx Ex tD A21 IP6x Tx
	Ⓜ II 1 GD Ex ia IIC Tx Ex tD A20 IP6x Tx
	Ⓜ II 2(1) GD Ex e[ia] IIC Tx Ex tD A21 IP6x Tx

**Elevations**

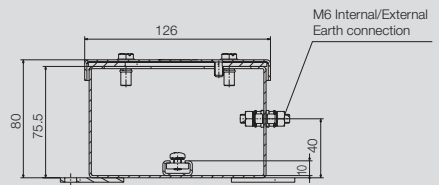
Front View



Front View – Lid Removed



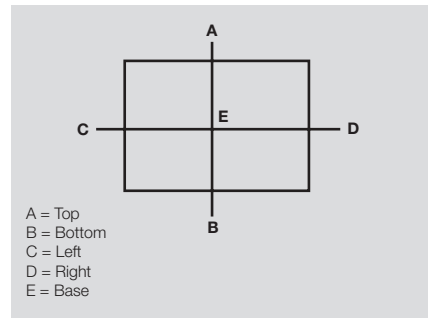
Side View



**Ordering Data Enclosures**

Description	Finish	Part Number
KLIPPON STB 1 SS	Polished Sheet	<b>1002690000</b>
KLIPPON STB 1 SS E	Electropolished	<b>1058810000</b>

Number of Cable Entries		A/B	C	D
Max number of cable entries per enclosure side**	M12	10	10	8
	M16	6	6	4
	M20	6	6	4
	M25	3	3	2
	M32	2	2	1
	M40	2	2	1
	M50	-	-	-
	M63	-	-	-



Max Number of Terminals (Industrial)			Vertical			Horizontal		
			W series V	Z series H	SAK series V	W series V	Z series H	SAK series V
WDU 2.5	ZDU 2.5	SAK 2.5	17	17	14			
WDU 4	ZDU 4	SAK 4	14	14	13			
WDU 6	ZDU 6	SAK 6	11	11	11			
WDU 10	ZDU 10	SAK 10	8	8	8			
WDU 16N	ZDU 16	SAK 16	7	7	7			

**Ordering Data Accessories**

Sliding Fixing Nuts	Part Number
SFNS5 VKMU M5 SW16	<b>0433500000</b>

**Notes:** Each enclosure is supplied with a set of sliding nuts + washer+ screws M5, to fix the mounting rail TS 35 or 32 onto the C-Profile

**Comments** \*\* Cable entries based on Weidmüller's standard IP68 cable glands  
 - For specific hazardous area requirements please contact Weidmüller for a copy of the full certificate

**Klippon® STB 1.1**

Steel Enclosures for use in Industrial and Hazardous Area Applications



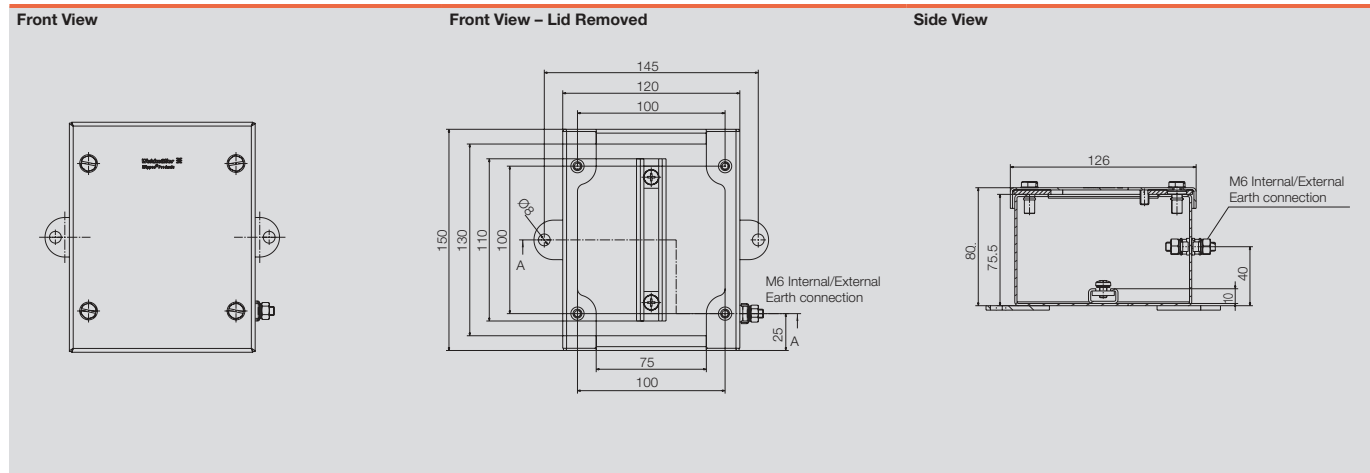
**Dimensions**

Height x Width x Depth	mm	<b>150 x 120 x 80</b>
Weight	kg	<b>1.38</b>

**Technical Data**

<b>Enclosure Material:</b> Stainless Steel 1.4404(316L) 1.50mm	<b>Approvals for Empty Enclosure:</b>
<b>Ingress Protection:</b> IP66	ATEX Certification: IBExU 07ATEX1147 U
<b>Earthing:</b> Body-Internal/External M6 Stainless Steel	ATEX Marking: Ⓜ II 2 G Ex e II
Lid - M6 x 12 Stainless Steel	Ⓜ II 2 D Ex tD A21 IP66
<b>Internal Mounting:</b> via C-Profile welded	cULus: E 197061
<b>External Mounting:</b> 2 External lugs with 8 mm holes	Lloyds Register: 08/20032
<b>Lid Opening:</b> Fully detachable lid with 4 x M5 Bolts	Germanischer Lloyd: 5935808 HH
<b>Impact Resistance:</b> 7J ATEX	Gost: POCC DE.ME25.B01450
10J industry standard	<b>Approvals for Control and Distribution Box:</b>
<b>Gasket Material:</b> Silicone -50 °C to +120 °C	ATEX Certification: IBExU 07ATEX1148
<i>Gasket compression control in accordance with manufacturers recommendation</i>	ATEX Marking: Ⓜ II 2 GD Ex e II Tx Ex tD A21 IP6x Tx
	Ⓜ II 1 GD Ex ia IIC Tx Ex tD A20 IP6x Tx
	Ⓜ II 2(1) GD Ex e[ia] IIC Tx Ex tD A21 IP6x Tx

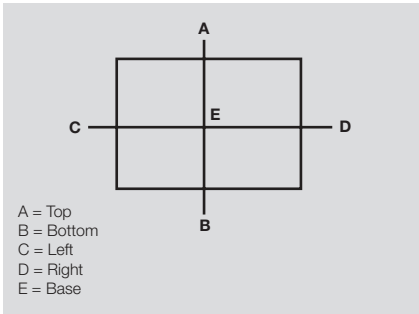
**Elevations**



**Ordering Data Enclosures**

Description	Finish	Part Number
KLIPPON STB 1.1 S	Polished Sheet	<b>1002750000</b>
KLIPPON STB 1.1 SS E	Electropolished	<b>1058820000</b>

Number of Cable Entries		A/B	C	D
Max number of cable entries per enclosure side**	M12	10	12	10
	M16	6	8	6
	M20	3	4	3
	M25	3	3	2
	M32	2	3	2
	M40	2	2	1
	M50	-	-	-
	M63	-	-	-



Max Number of Terminals (Industrial)			Vertical			Horizontal		
			W series V	Z series H	SAK series V	W series V	Z series H	SAK series V
WDU 2.5	ZDU 2.5	SAK 2.5	23	23	19			
WDU 4	ZDU 4	SAK 4	19	19	18			
WDU 6	ZDU 6	SAK 6	14	14	14			
WDU 10	ZDU 10	SAK 10	11	11	11			
WDU 16N	ZDU 16	SAK 16	9	9	9			

**Ordering Data Accessories**

Sliding Fixing Nuts	Part Number
SFNS5 VKMU M5 SW16	<b>0433500000</b>

**Notes:** Each enclosure is supplied with a set of sliding nuts + washer+ screws M5, to fix the mounting rail TS 35 or 32 onto the C-Profile

**Comments** \*\* Cable entries based on Weidmüller's standard IP68 cable glands  
 - For specific hazardous area requirements please contact Weidmüller for a copy of the full certificate

**Klippon® STB 2**

Steel Enclosures for use in Industrial and Hazardous Area Applications



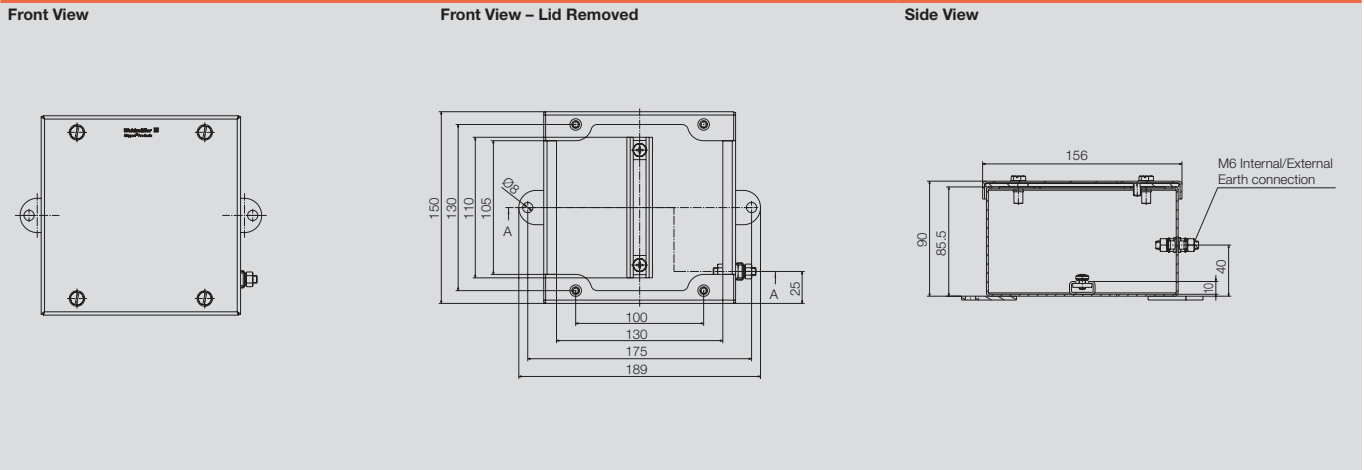
**Dimensions**

Height x Width x Depth	mm	<b>150 x 150 x 90</b>
Weight	kg	<b>1.63</b>

**Technical Data**

<b>Enclosure Material:</b> Stainless Steel 1.4404(316L) 1.50mm	<b>Approvals for Empty Enclosure:</b>
<b>Ingress Protection:</b> IP66	ATEX Certification: IBExU 07ATEX1147 U
<b>Earthing:</b> Body-Internal/External M6 Stainless Steel	ATEX Marking: Ⓜ II 2 G Ex e II
Lid - M6 x 12 Stainless Steel	Ⓜ II 2 D Ex tD A21 IP66
<b>Internal Mounting:</b> via C-Profile welded	cULus: E 256877
<b>External Mounting:</b> 2 External lugs with 8 mm holes	Lloyds Register: 08/20032
<b>Lid Opening:</b> Fully detachable lid with 4 x M5 Bolts	Germanischer Lloyd: 5935808 HH
<b>Impact Resistance:</b> 7J ATEX	Gost: POCC DE.ME25.B01450
10J industry standard	<b>Approvals for Control and Distribution Box:</b>
<b>Gasket Material:</b> Silicone -50 °C to +120 °C	ATEX Certification: IBExU 07ATEX1148
<i>Gasket compression control in accordance with manufacturers recommendation</i>	ATEX Marking: Ⓜ II 2 GD Ex e II Tx Ex tD A21 IP6x Tx
	Ⓜ II 1 GD Ex ia IIC Tx Ex tD A20 IP6x Tx
	Ⓜ II 2(1) GD Ex e[ia] IIC Tx Ex tD A21 IP6x Tx

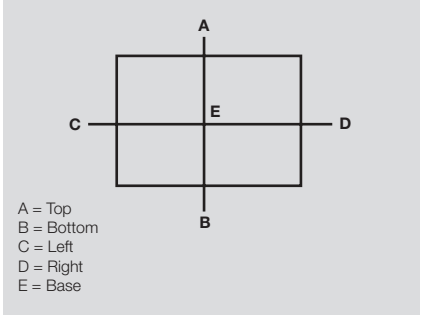
**Elevations**



**Ordering Data Enclosures**

Description	Finish	Part Number
KLIPPON STB 2 SS	Polished Sheet	<b>1002740000</b>
KLIPPON STB 2 SS E	Electropolished	<b>1058830000</b>

Number of Cable Entries		A/B	C	D
Max number of cable entries per enclosure side**	M12	15	15	15
	M16	10	10	8
	M20	8	8	6
	M25	3	3	2
	M32	3	3	2
	M40	2	2	2
	M50	1	1	1
	M63	-	-	-



Max Number of Terminals (Industrial)			Vertical			Horizontal		
			W series V	Z series H	SAK series V	W series V	Z series H	SAK series V
WDU 2.5	ZDU 2.5	SAK 2.5	23	23	19			
WDU 4	ZDU 4	SAK 4	19	19	18			
WDU 6	ZDU 6	SAK 6	14	14	14			
WDU 10	ZDU 10	SAK 10	11	11	11			
WDU 16N	ZDU 16	SAK 16	9	9	9			

**Ordering Data Accessories**

Sliding Fixing Nuts	Part Number
SFNS5 VKMU M5 SW16	<b>0433500000</b>

**Notes:** Each enclosure is supplied with a set of sliding nuts + washer+ screws M5, to fix the mounting rail TS 35 or 32 onto the C-Profile

**Comments** \*\* Cable entries based on Weidmüller's standard IP68 cable glands  
 - For specific hazardous area requirements please contact Weidmüller for a copy of the full certificate

**Klippon® STB 2.1**

Steel Enclosures for use in Industrial and Hazardous Area Applications



**Dimensions**

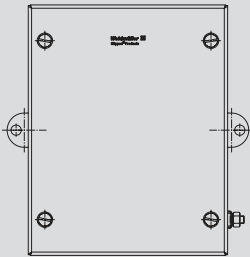
Height x Width x Depth	mm	<b>190 x 150 x 90</b>
Weight	kg	<b>2.08</b>

**Technical Data**

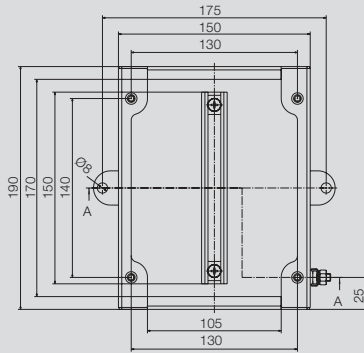
<b>Enclosure Material:</b> Stainless Steel 1.4404(316L) 1.50mm	<b>Approvals for Empty Enclosure:</b>
<b>Ingress Protection:</b> IP66	ATEX Certification: IBExU 07ATEX1147 U
<b>Earthing:</b> Body-Internal/External M6 Stainless Steel	ATEX Marking: Ⓜ II 2 G Ex e II
Lid - M6 x 12 Stainless Steel	Ⓜ II 2 D Ex tD A21 IP66
<b>Internal Mounting:</b> via C-Profile welded	cULus: E 256877
<b>External Mounting:</b> 2 External lugs with 8 mm holes	Lloyds Register: 08/20032
<b>Lid Opening:</b> Fully detachable lid with 4 x M5 Bolts	Germanischer Lloyd: 5935808 HH
<b>Impact Resistance:</b> 7J ATEX	Gost: POCC DE.ME25.B01450
10J industry standard	<b>Approvals for Control and Distribution Box:</b>
<b>Gasket Material:</b> Silicone -50 °C to +120 °C	ATEX Certification: IBExU 07ATEX1148
<i>Gasket compression control in accordance with manufacturers recommendation</i>	ATEX Marking: Ⓜ II 2 GD Ex e II Tx Ex tD A21 IP6x Tx
	Ⓜ II 1 GD Ex ia IIC Tx Ex tD A20 IP6x Tx
	Ⓜ II 2(1) GD Ex e[a] IIC Tx Ex tD A21 IP6x Tx

**Elevations**

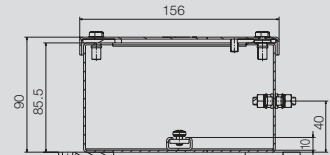
Front View



Front View – Lid Removed



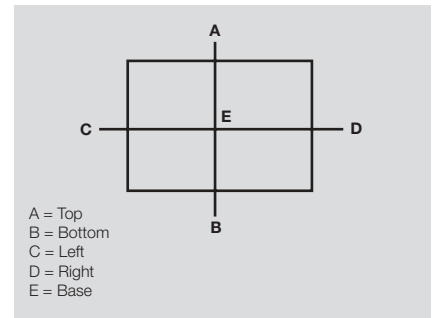
Side View



**Ordering Data Enclosures**

Description	Finish	Part Number
KLIPPON STB 2.1 SS	Polished Sheet	<b>1002730000</b>
KLIPPON STB 2.1 SS E	Electropolished	<b>1058840000</b>

Number of Cable Entries		A/B	C	D
Max number of cable entries per enclosure side**	M12	15	21	18
	M16	10	12	10
	M20	8	10	10
	M25	3	4	3
	M32	3	3	3
	M40	2	2	2
	M50	1	1	1
	M63	-	-	-



Max Number of Terminals (Industrial)			Vertical			Horizontal		
			W series V	Z series H	SAK series V	W series V	Z series H	SAK series V
WDU 2.5	ZDU 2.5	SAK 2.5	30	30	25			
WDU 4	ZDU 4	SAK 4	25	25	24			
WDU 6	ZDU 6	SAK 6	20	20	19			
WDU 10	ZDU 10	SAK 10	15	15	15			
WDU 16N	ZDU 16	SAK 16	13	13	13			

**Ordering Data Accessories**

Sliding Fixing Nuts	Part Number
SFNS5 VKMU M5 SW16	<b>0433500000</b>

**Notes:** Each enclosure is supplied with a set of sliding nuts + washer+ screws M5, to fix the mounting rail TS 35 or 32 onto the C-Profile

**Comments** \*\* Cable entries based on Weidmüller's standard IP68 cable glands  
 - For specific hazardous area requirements please contact Weidmüller for a copy of the full certificate

**Klippon® STB 3**

Steel Enclosures for use in Industrial and Hazardous Area Applications



**Dimensions**

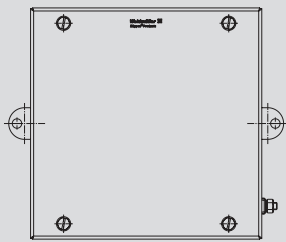
Height x Width x Depth	mm	<b>190 x 190 x 100</b>
Weight	kg	<b>2.59</b>

**Technical Data**

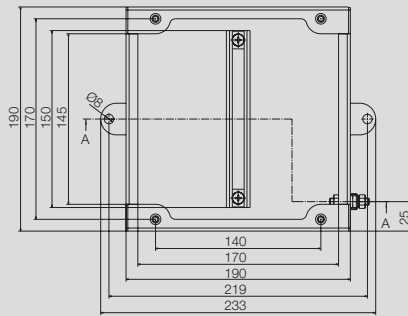
<b>Enclosure Material:</b> Stainless Steel 1.4404(316L) 1.50mm	<b>Approvals for Empty Enclosure:</b>
<b>Ingress Protection:</b> IP66	ATEX Certification: IBExU 07ATEX1147 U
<b>Earthing:</b> Body-Internal/External M6 Stainless Steel	ATEX Marking: Ⓜ II 2 G Ex e II
Lid - M6 x 12 Stainless Steel	Ⓜ II 2 D Ex tD A21 IP66
<b>Internal Mounting:</b> via C-Profile welded	cULus: E 256877
<b>External Mounting:</b> 2 External lugs with 8 mm holes	Lloyds Register: 08/20032
<b>Lid Opening:</b> Fully detachable lid with 4 x M5 Bolts	Germanischer Lloyd: 5935808 HH
<b>Impact Resistance:</b> 7J ATEX	Gost: POCC DE.ME25.B01450
10J industry standard	<b>Approvals for Control and Distribution Box:</b>
<b>Gasket Material:</b> Silicone -50 °C to +120 °C	ATEX Certification: IBExU 07ATEX1148
<i>Gasket compression control in accordance with manufacturers recommendation</i>	ATEX Marking: Ⓜ II 2 GD Ex e II Tx Ex tD A21 IP6x Tx
	Ⓜ II 1 GD Ex ia IIC Tx Ex tD A20 IP6x Tx
	Ⓜ II 2(1) GD Ex e[a] IIC Tx Ex tD A21 IP6x Tx

**Elevations**

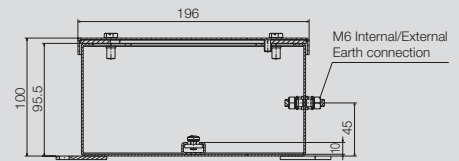
Front View



Front View – Lid Removed



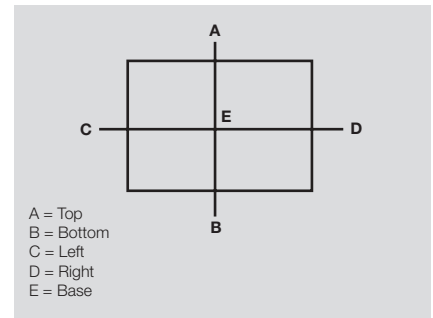
Side View



**Ordering Data Enclosures**

Description	Finish	Part Number
KLIPPON STB 3 SS	Polished Sheet	<b>1002720000</b>
KLIPPON STB 3 SS E	Electropolished	<b>1058850000</b>

Number of Cable Entries		A/B	C	D
Max number of cable entries per enclosure side**	M12	21	21	21
	M16	15	15	15
	M20	10	10	8
	M25	8	8	6
	M32	3	3	3
	M40	3	3	2
	M50	2	2	1
	M63	1	1	-



Max Number of Terminals (Industrial)			Vertical			Horizontal		
			W series V	Z series H	SAK series V	W series V	Z series H	SAK series V
WDU 2.5	ZDU 2.5	SAK 2.5	30	30	25			
WDU 4	ZDU 4	SAK 4	25	25	24			
WDU 6	ZDU 6	SAK 6	20	20	19			
WDU 10	ZDU 10	SAK 10	15	15	15			
WDU 16N	ZDU 16	SAK 16	13	13	13			

**Ordering Data Accessories**

Sliding Fixing Nuts	Part Number
SFNS5 VKMU M5 SW16	<b>0433500000</b>

**Notes:** Each enclosure is supplied with a set of sliding nuts + washer+ screws M5, to fix the mounting rail TS 35 or 32 onto the C-Profile

**Comments** \*\* Cable entries based on Weidmüller's standard IP68 cable glands  
 - For specific hazardous area requirements please contact Weidmüller for a copy of the full certificate

**Klippon® STB 4**

Steel Enclosures for use in Industrial and Hazardous Area Applications



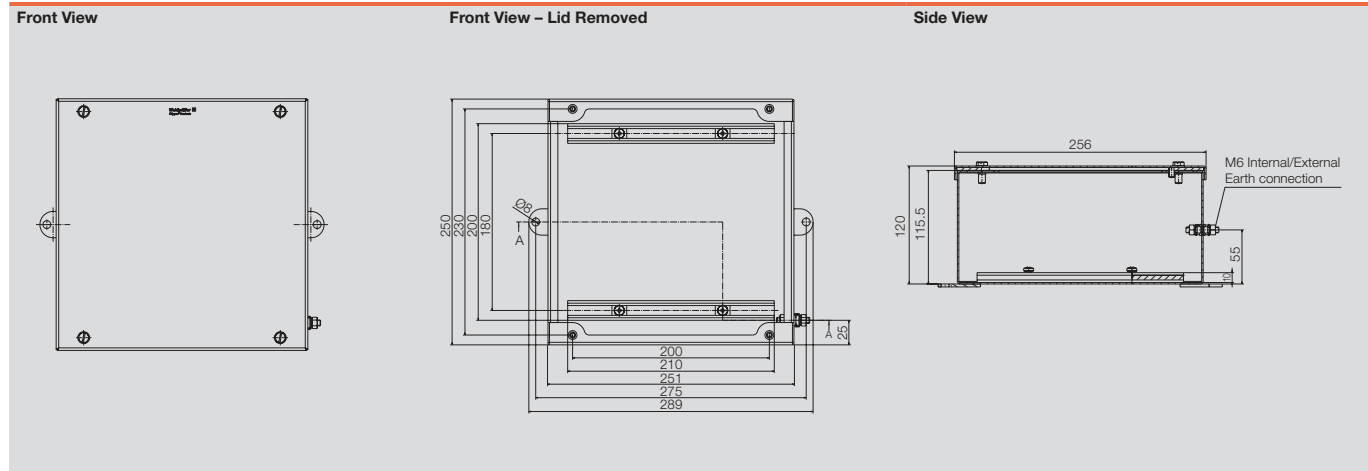
**Dimensions**

Height x Width x Depth	mm	<b>250 x 250 x 120</b>
Weight	kg	<b>4.45</b>

**Technical Data**

<b>Enclosure Material:</b> Stainless Steel 1.4404(316L) 1.50mm	<b>Approvals for Empty Enclosure:</b>
<b>Ingress Protection:</b> IP66	ATEX Certification: IBExU 07ATEX1147 U
<b>Earthing:</b> Body-Internal/External M6 Stainless Steel	ATEX Marking: Ⓜ II 2 G Ex e II
Lid - M6 x 12 Stainless Steel	Ⓜ II 2 D Ex tD A21 IP66
<b>Internal Mounting:</b> via C-Profile welded	cULus: E 256877
<b>External Mounting:</b> 2 External lugs with 8 mm holes	Lloyds Register: 08/20032
<b>Lid Opening:</b> Fully detachable lid with 4 x M5 Bolts	Germanischer Lloyd: 5935808 HH
<b>Impact Resistance:</b> 7J ATEX	Gost: POCC DE.ME25.B01450
10J industry standard	<b>Approvals for Control and Distribution Box:</b>
<b>Gasket Material:</b> Silicone -50 °C to +120 °C	ATEX Certification: IBExU 07ATEX1148
<i>Gasket compression control in accordance with manufacturers recommendation</i>	ATEX Marking: Ⓜ II 2 GD Ex e II Tx Ex tD A21 IP6x Tx
	Ⓜ II 1 GD Ex ia IIC Tx Ex tD A20 IP6x Tx
	Ⓜ II 2(1) GD Ex e[ia] IIC Tx Ex tD A21 IP6x Tx

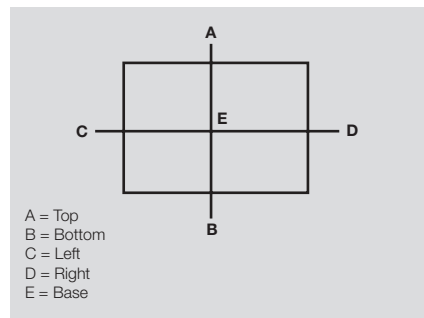
**Elevations**



**Ordering Data Enclosures**

Description	Finish	Part Number
KLIPPON STB 4 SS	Polished Sheet	<b>1002710000</b>
KLIPPON STB 4 SS E	Electropolished	<b>1058860000</b>

Number of Cable Entries		A/B	C	D
Max number of cable entries per enclosure side**	M12	32	32	32
	M16	21	21	21
	M20	12	12	12
	M25	10	10	10
	M32	8	8	8
	M40	3	3	3
	M50	2	3	2
	M63	2	2	2



Max Number of Terminals (Industrial)			Vertical			Horizontal		
			W series V	Z series H	SAK series V	W series V	Z series H	SAK series V
WDU 2.5	ZDU 2.5	SAK 2.5	2 x 42	2 x 42	2 x 35	2 x 42	2 x 42	2 x 35
WDU 4	ZDU 4	SAK 4	2 x 35	2 x 35	2 x 33	2 x 35	2 x 35	2 x 33
WDU 6	ZDU 6	SAK 6	2 x 27	2 x 27	2 x 27	2 x 27	2 x 27	2 x 27
WDU 10	ZDU 10	SAK 10	2 x 22	2 x 22	2 x 21	2 x 22	2 x 22	2 x 21
WDU 16N	ZDU 16	SAK 16	2 x 18	2 x 18	2 x 18	2 x 18	2 x 18	2 x 18

**Ordering Data Accessories**

Sliding Fixing Nuts	Part Number
SFNS5 VKMU M5 SW16	<b>0433500000</b>

**Notes:** Each enclosure is supplied with a set of sliding nuts + washer+ screws M5, to fix the mounting rail TS 35 or 32 onto the C-Profile

**Comments** \*\* Cable entries based on Weidmüller's standard IP68 cable glands  
 - For specific hazardous area requirements please contact Weidmüller for a copy of the full certificate



**Klippon® STB 5**

Steel Enclosures for use in Industrial and Hazardous Area Applications



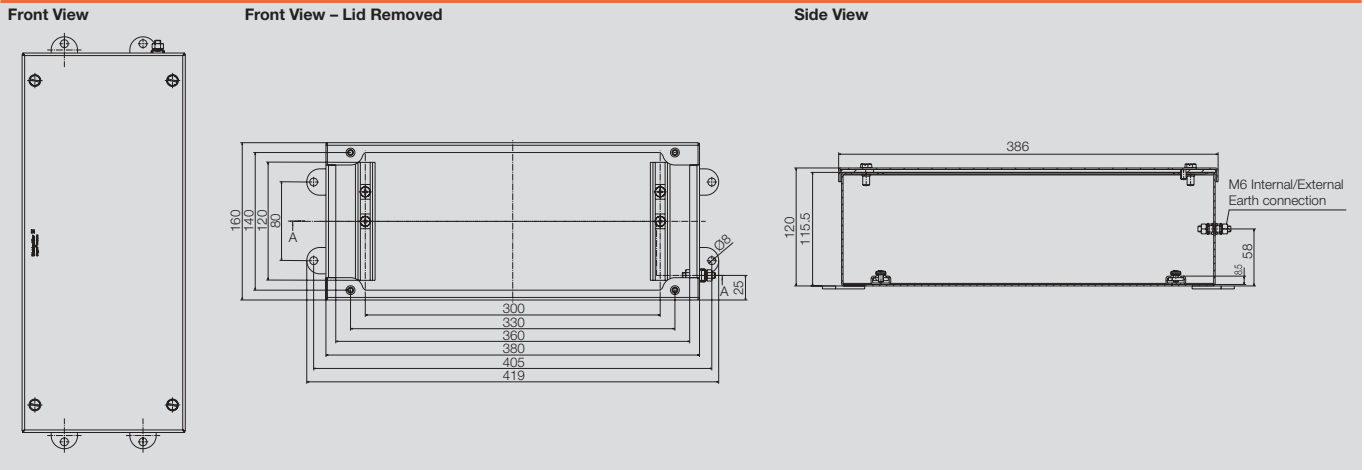
**Dimensions**

Height x Width x Depth	mm	<b>160 x 380 x 120</b>
Weight	kg	<b>4.82</b>

**Technical Data**

<b>Enclosure Material:</b> Stainless Steel 1.4404(316L) 1.50mm	<b>Approvals for Empty Enclosure:</b>
<b>Ingress Protection:</b> IP66	ATEX Certification: IBExU 07ATEX1147 U
<b>Earthing:</b> Body-Internal/External M6 Stainless Steel	ATEX Marking: Ⓜ II 2 G Ex e II
Lid - M6 x 12 Stainless Steel	Ⓜ II 2 D Ex tD A21 IP66
<b>Internal Mounting:</b> via C-Profile welded	cULus: E 256877
<b>External Mounting:</b> 4 External lugs with 8 mm holes	Lloyds Register: 08/20032
<b>Lid Opening:</b> Fully detachable lid with 4 x M5 Bolts	Germanischer Lloyd: 5935808 HH
<b>Impact Resistance:</b> 7J ATEX	Gost: POCC DE.ME25.B01450
10J industry standard	<b>Approvals for Control and Distribution Box:</b>
<b>Gasket Material:</b> Silicone -50 °C to +120 °C	ATEX Certification: IBExU 07ATEX1148
<i>Gasket compression control in accordance with manufacturers recommendation</i>	ATEX Marking: Ⓜ II 2 GD Ex e II Tx Ex tD A21 IP6x Tx
	Ⓜ II 1 GD Ex ia IIC Tx Ex tD A20 IP6x Tx
	Ⓜ II 2(1) GD Ex e[ia] IIC Tx Ex tD A21 IP6x Tx

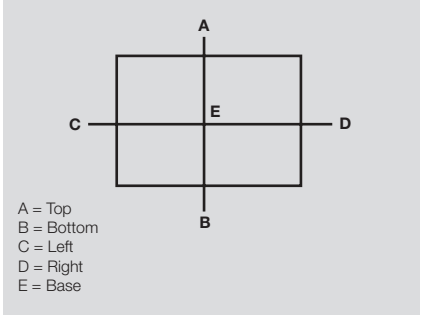
**Elevations**



**Ordering Data Enclosures**

Description	Finish	Part Number
KLIPPON STB 5 SS	Polished Sheet	<b>1002700000</b>
KLIPPON STB 5 SS E	Electropolished	<b>1058880000</b>

Number of Cable Entries		A/B	C	D
Max number of cable entries per enclosure side**	M12	64	20	20
	M16	33	15	12
	M20	30	12	12
	M25	16	6	6
	M32	10	4	4
	M40	6	2	2
	M50	4	2	1
	M63	2	1	1



Max Number of Terminals (Industrial)			Vertical			Horizontal		
			W series V	Z series H	SAK series V	W series V	Z series H	SAK series V
WDU 2.5	ZDU 2.5	SAK 2.5	3 x 25	3 x 25	3 x 21	1 x 68	68	57
WDU 4	ZDU 4	SAK 4	3 x 21	3 x 21	3 x 19	1 x 57	57	53
WDU 6	ZDU 6	SAK 6	3 x 16	3 x 16	3 x 16	1 x 44	44	43
WDU 10	ZDU 10	SAK 10	3 x 12	3 x 12	3 x 12	1 x 35	35	34
WDU 16N	ZDU 16	SAK 16	3 x 10	3 x 10	3 x 10	1 x 29	29	29

**Ordering Data Accessories**

Sliding Fixing Nuts	Part Number
SFNS5 VKMU M5 SW16	<b>0433500000</b>

**Notes:** Each enclosure is supplied with a set of sliding nuts + washer+ screws M5, to fix the mounting rail TS 35 or 32 onto the C-Profile

**Comments** \*\* Cable entries based on Weidmüller's standard IP68 cable glands  
 - For specific hazardous area requirements please contact Weidmüller for a copy of the full certificate

**Klippon® STB 6**

Steel Enclosures for use in Industrial and Hazardous Area Applications



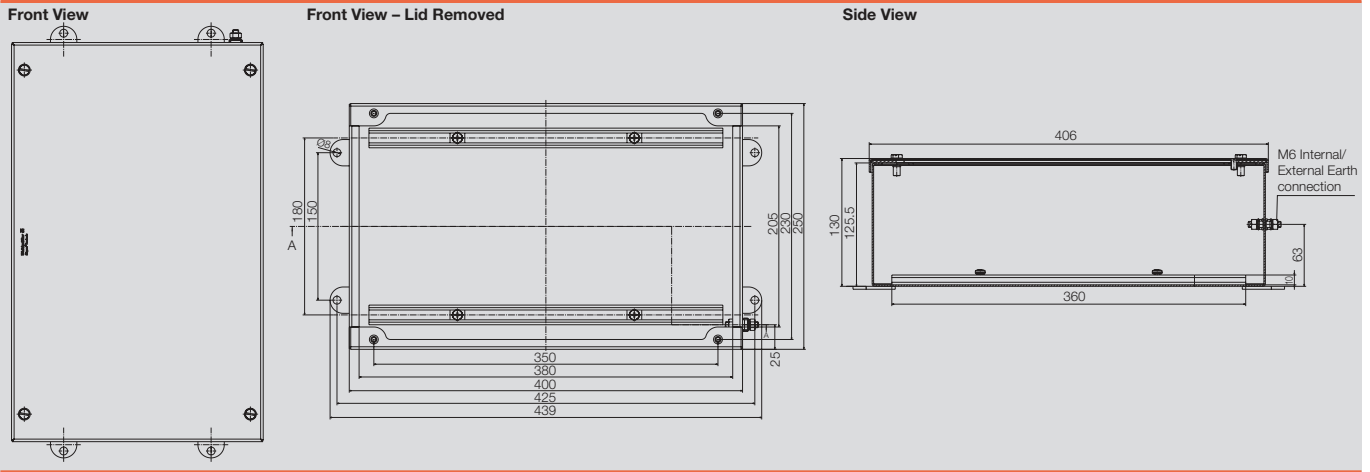
**Dimensions**

Height x Width x Depth	mm	<b>250 x 400 x 130</b>
Weight	kg	<b>6.90</b>

**Technical Data**

<b>Enclosure Material:</b> Stainless Steel 1.4404(316L) 1.50mm	<b>Approvals for Empty Enclosure:</b>
<b>Ingress Protection:</b> IP66	ATEX Certification: IBExU 07ATEX1147 U
<b>Earthing:</b> Body-Internal/External M6 Stainless Steel	ATEX Marking: Ⓜ II 2 G Ex e II
Lid - M6 x 12 Stainless Steel	Ⓜ II 2 D Ex tD A21 IP66
<b>Internal Mounting:</b> via C-Profile welded	cULus: E 256877
<b>External Mounting:</b> 4 External lugs with 8 mm holes	Lloyds Register: 08/20032
<b>Lid Opening:</b> Fully detachable lid with 4 x M5 Bolts	Germanischer Lloyd:5935808 HH
<b>Impact Resistance:</b> 7J ATEX	Gost: POCC DE.ME25.B01450
10J industry standard	<b>Approvals for Control and Distribution Box:</b>
<b>Gasket Material:</b> Silicone -50 °C to +120 °C	ATEX Certification: IBExU 07ATEX1148
<i>Gasket compression control in accordance with manufacturers recommendation</i>	ATEX Marking: Ⓜ II 2 GD Ex e II Tx Ex tD A21 IP6x Tx
	Ⓜ II 1 GD Ex ia IIC Tx Ex tD A20 IP6x Tx
	Ⓜ II 2(1) GD Ex e[ia] IIC Tx Ex tD A21 IP6x Tx

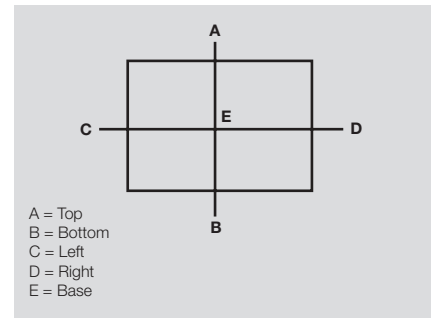
**Elevations**



**Ordering Data Enclosures**

Description	Finish	Part Number
KLIPPON STB 6 SS	Polished Sheet	<b>1002760000</b>
KLIPPON STB 6 SS E	Electropolished	<b>1058870000</b>

Number of Cable Entries		A/B	C	D
Max number of cable entries per enclosure side**	M12	64	40	36
	M16	33	24	21
	M20	30	21	18
	M25	16	10	10
	M32	10	8	8
	M40	6	3	3
	M50	4	3	2
	M63	2	2	2



Max Number of Terminals (Industrial)			Vertical			Horizontal		
			W series V	Z series H	SAK series V	W series V	Z series H	SAK series V
WDU 2.5	ZDU 2.5	SAK 2.5	3 x 42	3 x 42	3 x 35	2 x 72	2 x 72	2 x 60
WDU 4	ZDU 4	SAK 4	3 x 35	3 x 35	3 x 33	2 x 60	2 x 60	2 x 56
WDU 6	ZDU 6	SAK 6	3 x 27	3 x 27	3 x 27	2 x 46	2 x 46	2 x 46
WDU 10	ZDU 10	SAK 10	3 x 22	3 x 22	3 x 21	2 x 37	2 x 37	2 x 36
WDU 16N	ZDU 16	SAK 16	3 x 18	3 x 18	3 x 18	2 x 30	2 x 30	2 x 30

**Ordering Data Accessories**

Sliding Fixing Nuts	Part Number
SFNS5 VKMU M5 SW16	<b>0433500000</b>

**Notes:** Each enclosure is supplied with a set of sliding nuts + washer+ screws M5, to fix the mounting rail TS 35 or 32 onto the C-Profile

**Comments** \*\* Cable entries based on Weidmüller's standard IP68 cable glands  
- For specific hazardous area requirements please contact Weidmüller for a copy of the full certificate

## Steel enclosures

### Klippon® TB

- 12 standard sizes (two depths)
- 316L (1.4404) electropolished stainless steel
- High temperature silicone gasket
- High Ingress Protection (IP66/67)



### Klippon® JB

- 10 standard sizes, bottom gland plate (3 depths)
- 316L (1.4404) brushed stainless steel
- For harsh and industrial applications
- Foamed high temperature silicone gasket
- High Ingress Protection – IP66



### Klippon® STB

- 8 standard sizes
- 316L (1.4404) stainless steel
- Robust design for heavy duty applications



## Aluminium enclosures

### Klippon® K

- 19 standard sizes
- High quality aluminium alloy (natural or painted finish)
- High Ingress Protection – IP66



## Polyester enclosures

### Klippon® POK

- 17 standard sizes
- Durable Glass Reinforced Polyester (GRP)
- Halogen and cadmium free



### TBF-Series

- 9 standard sizes
- Durable Glass Reinforced Polyester (GRP)
- Featuring either grey or transparent lid



## Polycarbonate enclosures

### MPC-Series

- 9 standard sizes
- Universal small polycarbonate enclosures
- Featuring either grey or transparent lid



### FPC-Series

- 6 standard sizes
- Large polycarbonate enclosures
- Featuring either grey or transparent lid



## Accessories

- Cable glands
- Stopping plugs
- Breather drains



### Cable entries



